

product list

1.Ball valves	8
1.1 Brass ball valves	8
1.1.1 Right Angle Brass Ball Valve	8
1.1.2 Nickel plated Brass Angle Ball Valve Strainers--Shorter Style	13
1.1.3 Brass Ball Valve Strainer Combo-- Heavier Duty	15
1.1.4 Deluxe Drain Ball Valve	16
1.1.5 6 Port Dual Brass Ball Valve	18
1.1.6 CE Approval Brass Ball Valve ,Female x Female ,Nickle Plated Body	21
1.1.7NSF,UL,CSA approved ,Lead Free, 2PC Full Port Brass Ball Valve	22
1.1.8 NSF approved , Lead Free Solder End Brass Ball Valve	24
1.1.9 Full Port Brass Ball Valves	28
1.1.10 2PC Full &Standard Port Brass Ball Valve.....	31
1.1.11 2-Way Brass Ball Valve with ISO5211 Mounting.....	35
1.1.12 Brass Ball Valve with oval	36
1.1.13 4 Seats 3-Way Brass Ball Valve with ISO Mounting.....	39
1.1.14 1 PC Body Standard Port Brass Ball Valve	40
1.1.15 Brass Ball Valve Threaded/Solder Ends With Side Drain.....	42
1.1.16 Auto Drain Safety Exhaust Brass Ball Valve With Lockable Handle	45
1.1.17 Brass Needle Valves	48
1.1.18 Brass Gate Valve	49
1.1.19 Brass Spring Handle Ball Valve	51
1.1.20 3-Way Wye-Style Brass Ball Valve ,With Fire Hose Connections.....	53
1.1.21 3-way Wye Brass Ball Valve.....	54



1.2 Stainless steel ball valve 56

1.2.1 2PC Stainless steel ball valve, standard port,600 PSI..... 56

1.2.2 2PC Body 316 Stainless Steel Ball Valve, Male x Female..... 58

1.2.3 2000PSI Stainless Steel ball valve w/Lockable lever handle 60

1.2.4 2PC S.S.316 Ball Valve With ISO5211 Mounting Pad 62

1.2.5 3PC Stainless Steel Ball Valve 64

1.2.6 3-Way Stainless Steel Ball Valve ,Lockable L Port..... 66

1.2.7 3 Way S.S.316 Ball Valve With ISO5211 Mounting Pad..... 68

1.2.8 1PC Male x Female Stainless Steel Valve 70

1.2.9 1PC Body Stainless Steel Ball Valve 71

1.2.10 Unibody Fire-Safe Stainless Steel Ball Valve 73

1.2.11 Deadman Handle Stainless Steel Ball Valve 75

1.2.12 Stainless Steel Ball Valve Strainer Combo-- Heavier Duty..... 77

1.2.13 600PSI Stainless Steel ball valve w/Lockable lever handle 79

1.2.14 1000PSI Stainless Steel ball valve w/Lockable lever handle ,or Oval Handle..... 81

1.3 Bronze Ball Valve 83

1.3.1 Bronze Ball Valve..... 83

1.4 Carbon Steel Ball Valve..... 85

1.4.1Hex Body Carbon Steel Ball Valve 85

1.4.2 2000PSI 1PC Hex Body Carbon Steel Ball Valve 87

1.4.3 Medium Pressure Carbon Steel Ball Valve 89

1.4.4 Three-Piece High Pressure Carbon Steel Ball Valve 91

1.4.5 3 Way Carbon Steel Ball Valve 93

1.4.6 6000PSI High Pressure Carbon Steel Ball Valve 95

1.4.7 Ductile Iron/Carbon Steel Oilfield Ball Valves 96

1.5 Mini Ball Valve 99



Intech Industries Manufacturing Co.,Ltd

1.5.1 450PSI Brass Hex Body Mini Ball Valve 99

1.5.2 600PSI Brass Hex Body Mini Ball Valve, External Stop design 101

1.5.3 MMTH&MFTH Mini Brass Ball Valve..... 104

1.5.4 MFBV & MMBV Mini 2PC Brass Ball Valve..... 106

1.5.6 Economical Hex Mini Ball Valve 108

1.5.7 Miniature Ball Drain Valve 109

1.5.8 Compressor air In-line Brass Mini Ball Valve..... 111

1.5.9 Nickel-Plated Brass Mini Ball Valves..... 115

1.5.10 1000 PSI Brass Mini Ball Valve 119

1.5.11 NSF Approval,1Pc Stainless Steel Hex Body Mini Ball Valve..... 121

1.5.12 1000PSI Mini Stainless Steel Ball Valve 126

1.5.13 Mini Stainless Steel Ball Valve ,With Butterfly Handle 128

2.Plug valve 130

2.1Brass Shut off cocks 130

2.2 Hex Body Plug Style Drain Cock 133

3.Y Strainer..... 134

3.1 Y Strainer Brass Ball Valve With Female Inlet & Removeable Elbow Outlet..... 134

3.2 Y Strainer Brass Ball Valve With Female Inlet & Male Outlet..... 136

3.3 Y Strainer Brass Ball Valve With Male Inlet & Female Outlet..... 137



3.4 Y Strainer.....	139
4.Check Valve	142
4.1Brass Y-Pattern Check Valve	142
4.2 In Line Check Valves Vertical or Horizontal	143
4.3 316 Stainless Steel Check Valve	146
5.Panel Mountable Valve	147
5.1 In-Line Ball Valves-Nickel Plated Brass	147
5.2 3- Way Brass Ball Valve ,Panel Mountable ,500PSI.....	153
5.3 3-Way Panel Mount Brass Ball Valve	155
6.Drain Cock	159
6.1 90° Angle Internal Seal Drain Cock	159
6.2 T-Handle Internal Seal Drain Cock.....	161
6.3 External Seal Drain Cock.....	162
6.4 Drain Cock With Water Guide	163
6.5 Knurled Nut Drain Cock	165
6.6 Pull Cord Drain cocks.....	166
7.Garden valves	167
7.1 45 Degree Garden valves	167
7.2 45 Degree Garden valves.....	168
7.3 Straight Garden valves	169



7.4 Straight Garden valves Working Pressure: 360PSI.....	170
7.5 2-way Garden valves	171
7.6 2-way Garden valves	172
7.7 2-way Garden valves	173
7.8 4-way Garden valves	174
8. Globe Stop Valve.....	175
8.1 316 Stainless Steel Globe Stop Valve.....	175
8.2 Bar Stock Globe Valves.....	177
8.3 Straight Globe Valves	178
9.Truck Valve	179
9.1 Forged Brass Truck Valves.....	179
10.Sight Glass	182
10.1 High Pressure Pipe Threaded Brass Sight Glass	182
10.2 Square High Pressure Fused Sight Glass	183
10.3 High Pressure Fused Steel Sight Glass ,Pipe Threaded.....	184
10.4 KCSGFE Elbow High Pressure Fused Sight Glass	186
10.5 Low Pressure Male Thread Brass Sight Glass,Zinc plated.....	187
10.6 Low Pressure Plastic Sight Glass.....	188
10.7 Press Fit Fused Sight Glass	189
11.Floating Ball Valve.....	190



11.1	Stainless Steel Floating Ball Valve	190
11.2	B Type Stainless Steel Float Ball Valve	192
11.3	Bronze Float Valves	194
11.4	Automatic Float Drain, 400L	195
12.	Pressure Gauge	198
12.1	Vacuum and Pressure Gauge	198
12.2	Pressure Gauge,Back Mount with Brass Fitting.....	199
12.3	Stainless Steel Case Liquid-Filled Pressure Gauges.....	200
12.4	Steel Case Utility Pressure Gauges	202
13.	Fitting.....	208
13.1	316 Stainless Steel Instrumentation Tube Fittings.....	208
13.2	Brass Hose Barbs.....	211
13.3	Brass Compression Fitting.....	214
14.	Float Ball Type Liquid Level Gauge.....	222
14.1	Float Ball Type Liquid Level Gauge	222
14.2	Float Ball Type Liquid Level Gauge-- For Ingersoll-Rand	224
14.3	Float Ball Type Liquid Level Gauge-- For Gardner Denver	225
14.4	Float Ball Type Liquid Level Gauge-- For GANEY.....	226
15.	Filter.....	228
15.1	Filter regulator	228



15.2 Miniature Air Filter.....	230
16. Automatic Electronic Drain Valve	231
16.1 Automatic Electronic Drain Valve	231

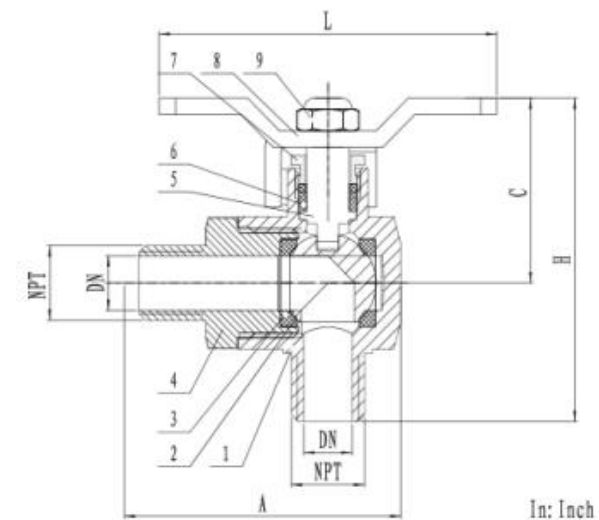
1. Ball valves

1.1 Brass ball valves

1.1.1 Right Angle Brass Ball Valve

- ◆ Working pressure: 250PSI
- ◆ Temperature Range : -40°F to 400°F (-40°C to +205°C)
- ◆ Teflon seats
- ◆ 2PC, full port
- ◆ Heavy Duty forged Body
- ◆ Steel Handle w/Vinyl Grip, Lever or T handle

Part #	Part Name	Material
1	Body	Brass
2	Cap	Brass
3	Ball	Brass
4	Seat	PTFE
5	Stem	Brass
6	Stuffing	PTFE
7	Packing Nut	Brass
8	Handle	Steel





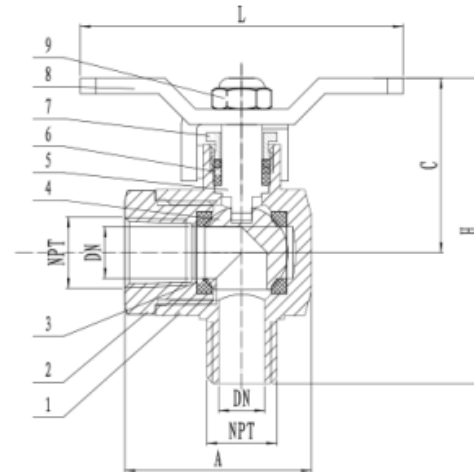
9	Nut	Brass
---	-----	-------

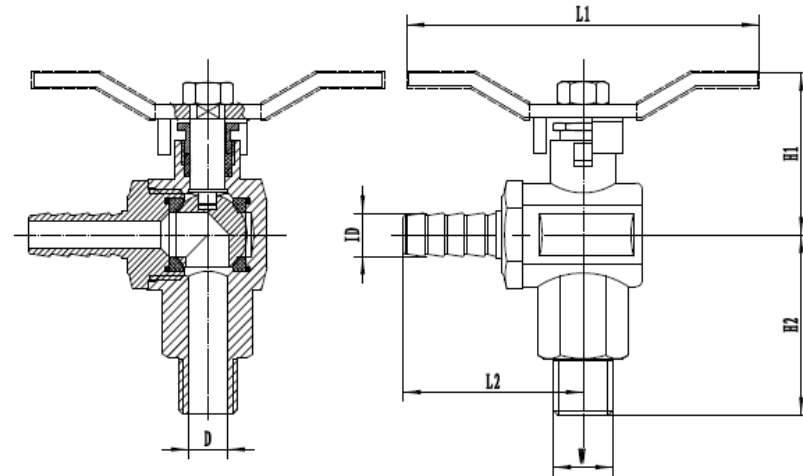
Male x Male, T handle

In: Inch (mm)

Item #	Size	NPT	DN		A		L		H		C	
			Inch	mm	Inch	mm	Inch	mm	Inch	mm	Inch	mm
1WMJ2	1/4"	1/4	0.35	8.89	2.01	51	2.50	63.50	2.36	60	1.34	34.04
1WMJ3	3/8"	3/8	0.39	9.91	2.01	51	2.50	63.50	2.36	60	1.34	34.04
1WMJ4	1/2"	1/2	0.51	12.95	2.48	62.99	2.50	63.50	2.60	66.04	1.38	35.05

Part #	Part Name	Material
1	Body	Brass
2	Cap	Brass
3	Ball	Brass
4	Seat	PTFE
5	Stem	Brass
6	O-Rings	Rubber
7	Handle	Steel
8	Bolt	Brass





Male x Female, T handle

In: Inch (mm)

Item #	Size	NPT	DN		A		L		H		C	
			Inch	mm	Inch	mm	Inch	mm	Inch	mm	Inch	mm
1WMJ1	1/4"	1/4	0.35	8.89	1.53	38.86	2.50	63.50	2.36	60	1.34	34.04
1WMH9	3/8"	3/8	0.39	9.91	1.53	38.86	2.50	63.50	2.36	60	1.34	34.04
1WMH8	1/2"	1/2	0.51	12.95	1.73	43.94	2.50	63.50	2.60	66.04	1.38	35.05



Part #	Part Name	Material
1	Body	Brass
2	Cap	Brass
3	Ball	Brass
4	Seat	PTFE
5	Stem	Brass
6	O-Rings	Rubber
7	Handle	Steel
8	Bolt	Brass

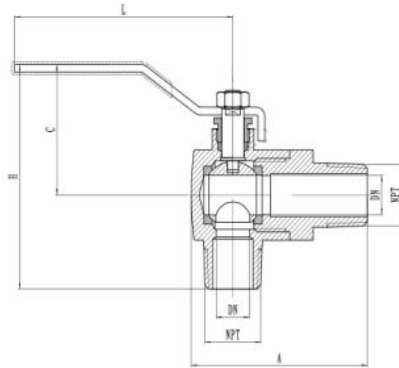
Male x Tubing, T handle

In: Inch (mm)

Size	ID	H1		H2		L1		L2		D	
		Inch	mm	Inch	mm	Inch	mm	Inch	mm	Inch	mm
1/4"	1/4"	1.42	36	1.57	40	2.44	62	1.65	42	0.24	6
1/4"	3/8"	1.42	36	1.57	40	2.44	62	1.65	42	0.24	6
1/4"	1/2"	1.42	36	1.57	40	2.44	62	1.81	46	0.24	6
3/8"	1/4"	1.42	36	1.57	40	2.44	62	1.65	42	0.35	9



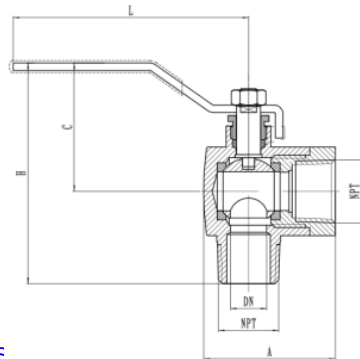
3/8"	3/8"	1.42	36	1.57	40	2.44	62	1.65	42	0.35	9
3/8"	1/2"	1.42	36	1.57	40	2.44	62	1.81	46	0.35	9



Male x Male, Lever handle

In: Inch (mm)

Item #	Size	NPT	DN		A		L		H		C	
			Inch	mm	Inch	mm	Inch	mm	Inch	mm	Inch	mm
	1/4"	1/4	0.35	8.89	2.01	51.05	3.15	80.01	2.63	67	1.65	41.91
	3/8"	3/8	0.39	9.91	2.01	51.05	3.15	80.01	2.63	67	1.65	41.91
	1/2"	1/2	0.51	12.95	2.48	62.99	3.15	80.01	2.89	73.41	1.69	42.93



Male x Female, Lever handle

In: Inch (mm)

Item # 货号	Size 尺寸	NPT	DN		A		L		H		C	
			Inch	mm	Inch	mm	Inch	mm	Inch	mm	Inch	mm
1WMJ7	1/4"	1/4	0.35	8.89	1.53	38.86	3.15	80.01	2.63	67	1.65	41.91
1WMJ6	3/8"	3/8	0.39	9.91	1.53	38.86	3.15	80.01	2.63	67	1.65	41.91
1WMJ5	1/2"	1/2	0.51	12.95	1.73	43.94	3.15	80.01	2.89	73.41	1.69	42.93

1.1.2 Nickel plated Brass Angle Ball Valve Strainers--Shorter Style

- ◆Working pressure: 450PSI
- ◆Temperature Range: -4°F to 200°F(-20 °C to +100 °C)
- ◆Compact and small Body
- ◆Can be used on all timer controlled condensate drains,or anywhere need
- ◆a angle Strainer to clean the air or liquid.
- ◆Allows to shut down areas of the compressed air system without having
- ◆to depressurized the entire system.
- ◆Forged brass body ,With stainless steel screen.
- ◆Nickle plated brass ball ,PTFE ball seats.



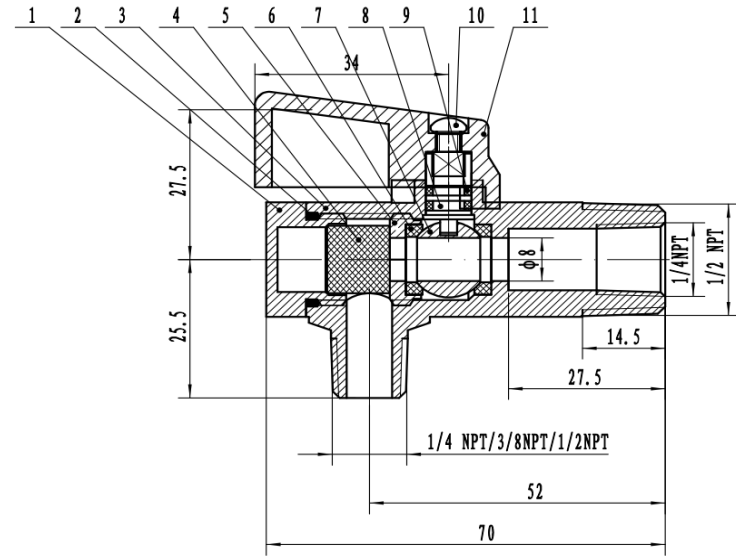
Part #	Part Name	Material
1	Stainer Cap	Brass
2	O-ring	Brass

Professional & One-Stop Service
-Manufacturing -Customerized -Sourcing&Trading -Stocking



Intech Industries Manufacturing Co.,Ltd

3	Stainer Body	Brass
4	Screen	PTFE
5	Retainer Nut	Brass
6	Ball Seats	Rubber
7	Balls	Steel
8	Stems	Brass
9	Stem seals	Rubber
10	Handle Screw	Steel
11	Handles	Nylon/ Zinc alloy



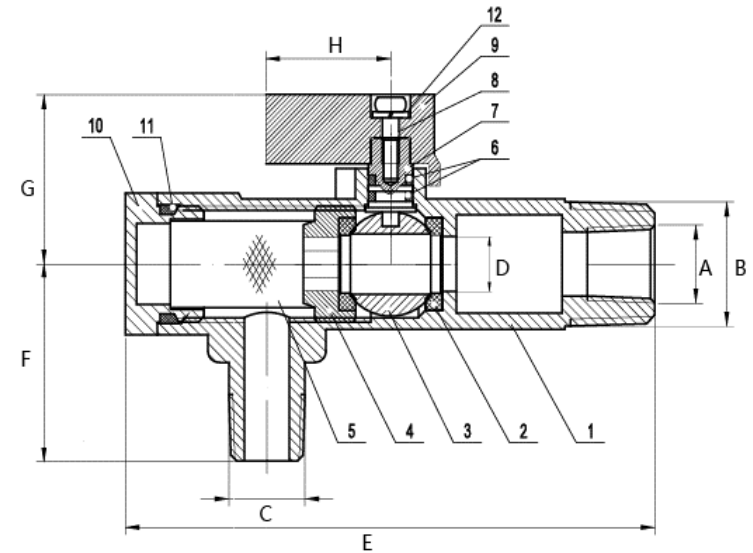
Item #	Inlet	Outlet
AVS-1/4	1/2" M x 1/4" F NPT	1/4" MNPT
AVS-3/8		3/8" MNPT
AVS-1/2		1/2" MNPT



1.1.3 Brass Ball Valve Strainer Combo-- Heavier Duty

- ◆ Working Pressure :600 PSI (WOG) 150 PSI (WSP)
- ◆ Temperature Range: -4°F to 200°F(-20°C to +100°C)
- ◆ Solid Brass Body with Stainless Steel 50 Mesh Screen
- ◆ Chrome Plated Ball
- ◆ PTFE Seals
- ◆ Unique Design Allows Valve to Be Closed and Screen to Be Cleaned
- ◆ Without Loss of Air Pressure in Tank or Drain
- ◆ Valve Inlet 1/2" MPT and Also 1/4" FPT Internally
- ◆ Threaded for Versatility
- ◆ Zinc Cast Handle
- ◆ Male x Male Connection

Part #	Part Name	Material
1	Body	Brass
2	Ball Seats	PTFE
3	Ball	Brass
4	Seat Retainer	Brass
5	Screen	S.S
6	O-ring	NBR
7	Stem	Brass
8	Nut	S.S
9	Handle	Zinc alloy





Intech Industries Manufacturing Co.,Ltd

10	Cap	Brass
11	O-Ring	Steel
12	Gasket	S.S

Item #	Size (In)	A (In)	B (In)	C (In)	D (In)	E (In)	F (In)	G (In)	H (In)
BPS-5025	1/2 x 1/4	1/4 Female	1/2 Male	1/4 Male	0.39	3.74	1.33	1.12	1.18
BPS-5033	1/2 x 3/8			3/8 Male					
BPS-5050	1/2 x 1/2			1/2 Male					

1.1.4 Deluxe Drain Ball Valve

- ♦Working pressure: 600 PSI (WOG)
- ♦Temperature Range:-4°F to 200°F(-20 °C to +100 °C)
- ♦PTFE&NBR Seals
- ♦Blow Out Proof Stem
- ♦Forged Brass Construction
- ♦DDBV-25 Series: Metal handle, LDBV-25 Series: PC handle

Part #	Part Name	Material
1	Valve Cap	Brass
2	Valve Body	Brass
3	Ball	PTFE



Professional & One-Stop Service
-Manufacturing -Customerized -Sourcing&Trading -Stocking

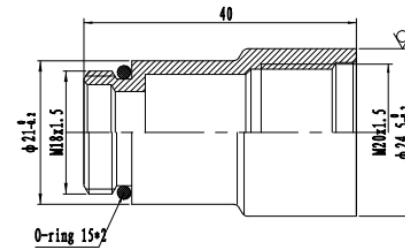


Intech Industries Manufacturing Co.,Ltd

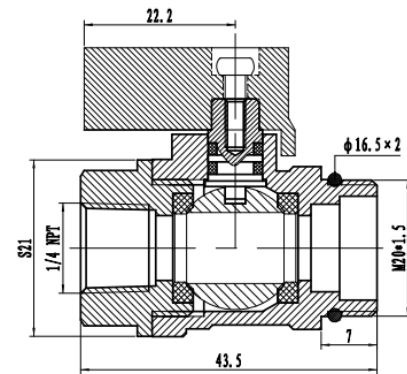
4	Ball Seat	Cr. Brass
5	Connecting	Brass
6	O-ring 15*2	NBR
7	O-ring 16.5*2	NBR
8	Stem seals	Rubber
9	Stem	Brass
10	Handle Screw	Steel
11	Handle	Zinc Cast

Item# 货号	Size 尺寸
DDBV-25-1N	1/4"
MVBS-25	1/4"
DDBV-25	1/4"

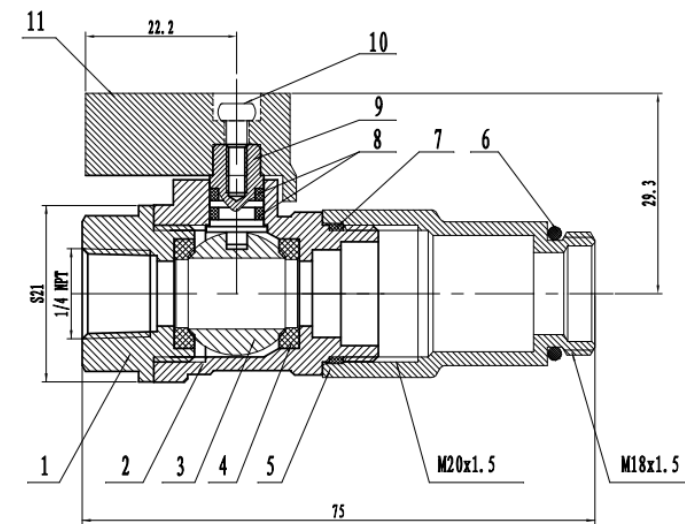
Part #	Part Name	Material
1	Cap	Brass
2	Ball seat	PTFE
3	Ball	Brass
4	Body	Brass
5	O-ring	NBR
6	Stem	Brass
7	O-ring	NBR
8	Handle	PC



DDBV-25-1N



MVBS-25



DDBV-25

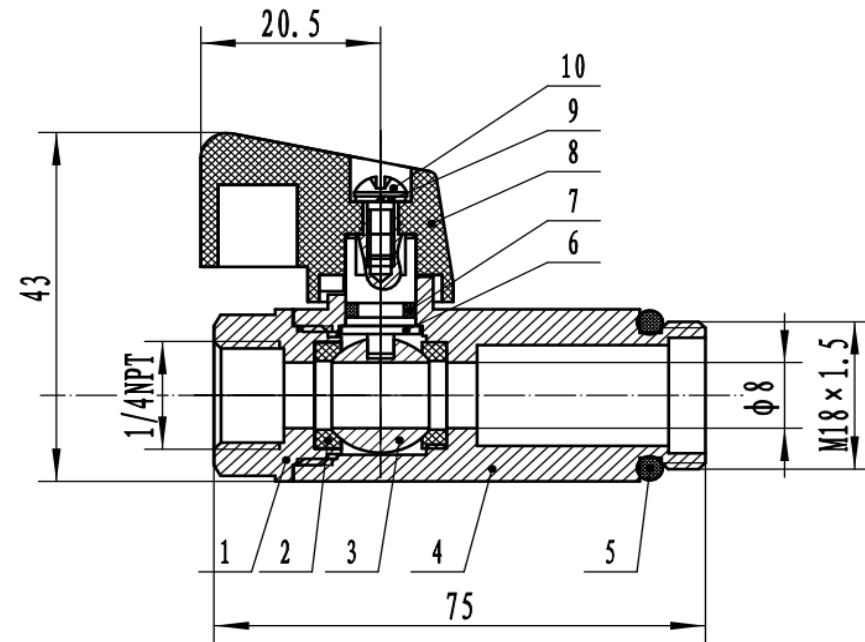
Professional & One-Stop Service
[-Manufacturing -Customerized -Sourcing&Trading -Stocking](#)



Intech Industries Manufacturing Co.,Ltd

9	Washer	65Mn
10	Handle Screw	Steel

Item# 货号	Size 尺寸
LDBV-25	1/4"



1.1.5 6 Port Dual Brass Ball Valve

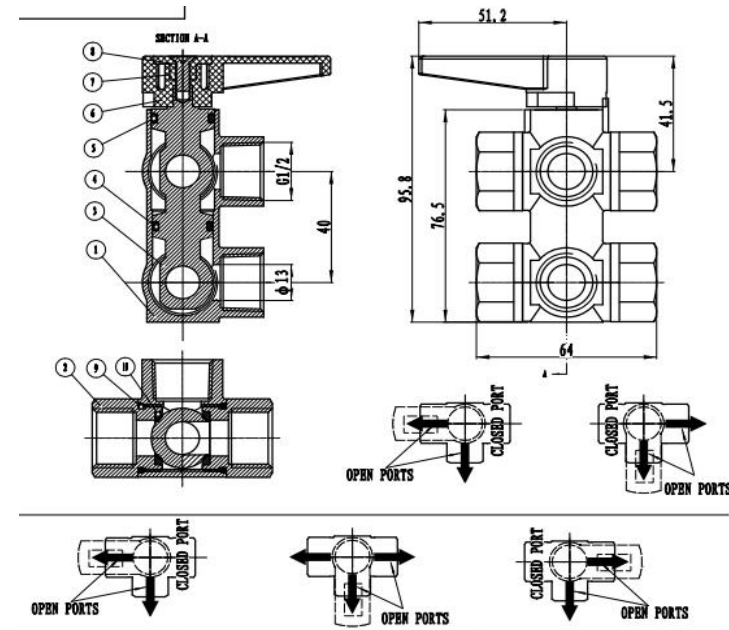
- ◆ This valve can be used on applications where a fluid return or spill back is required.
- ◆ For use on construction equipment, chemical processing, diesel engines, filter banks, pumps and specialized industrial machinery.
- ◆ NOTE: Diversion valves do not have off positions, therefore, the center ports can not be used for shut-off purposes
- ◆ Working Pressure and Temperature: 150PSI and 250°F, Vacuum, 29 Inches of Mercury
- ◆ Threads: 1/2" BSPP
- ◆ Position plastic handle in quarter-turn increments to desired flow configuration
- ◆ Detent mechanism assists in accurately positioning handle



Professional & One-Stop Service
-Manufacturing -Customerized -Sourcing&Trading -Stocking

NO.	Part #	Part Name	Material
1	0012214-01	Body	Brass
2	0012214-FM	Cap	Brass
3	0012214-02	Ball	Brass
4	OF-16X2.5	O-Ring	Viton
5	OF-17X2.5	O-Ring	Viton
6	0012214-SB	Handle	Nylon
7	0012214-SBZ	Washer	Nylon
8	LS-M4X20	Screw	Steel
9	OF-21X2	O-Ring	Viton
10	FZ-19X12.2X2.5	Seat	PTFE

Item#	Size
348-6898-N	1/2"BSPP



1.1.5 6 Port Dual Brass Ball Valve-3/4" Full Port,with ISO 5211 Mounting Plat

- ◆This valve can used on applications where a fluid return or spill back is required.
- ◆For use on construction equipment,chemical processing, diesel engines,filter banks ,pumps and specialized industrial machinery
- ◆NOTE: Diversion valves do not have off positions,therefore,the center ports can not be used for shut-off purposes

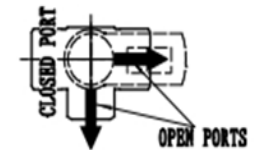
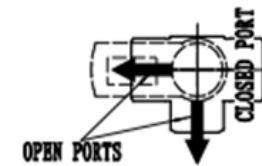
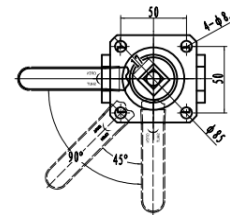


Intech Industries Manufacturing Co.,Ltd

- ♦Working Pressure and Temperature:450PSI and 250°F , Vacuum,29 Inches of Mercury
- ♦L Port or T Port is available
- ♦Position steel handle in quarter-turn increments to desired flow configuration
- ♦Detent mechanism assist in accurately positioning handle

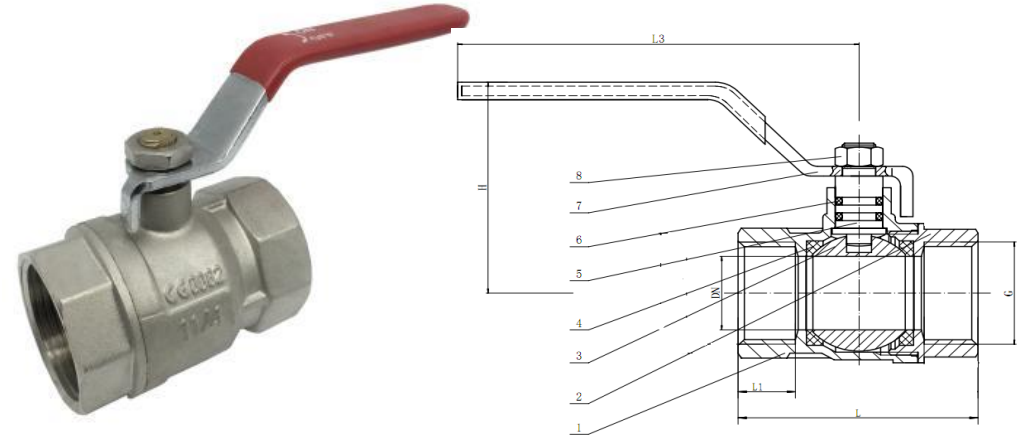
Part#	Part Name	Material
10	Screw	Steel
9	Handle	Nylon
8	O Ring	NBR
7	Ball	Brass
6	O Ring	NBR
5	Cap	Brass
4	Seat	PTFE
3	O Ring	NBR
2	O Ring	NBR
1	Body	Brass

Item#	Size
	3/4"NPT



1.1.6 CE Approval Brass Ball Valve ,Female x Female ,Nickle Plated Body

- ◆Working Pressure:400PSI
- ◆Temperature Range: -40°F to 365°F(-40°C to +185°C)
- ◆Nickle Plated Body
- ◆Standard Lever Handle



In: Inch(mm)

Part#	Part Name	Material
1	Body	Brass
2	Cap	Brass
3	Ball	Brass
4	Seat	PTFE
5	Stem	Brass
6	O-Ring	NBR
7	Handle	Steel
8	Nut	Brass

Item#	Size/G	L		L1		L3		H		DN	
		Inch	mm	Inch	mm	Inch	mm	Inch	mm	Inch	mm
FFB-25CE	1/4"	1.49	37.85	0.35	8.89	3.15	80.01	1.65	41.91	0.31	7.87
FFB-33CE	3/8"	1.56	39.62	0.35	8.89	3.15	80.01	1.71	43.43	0.39	9.91
FFB-50CE	1/2"	1.82	46.23	0.43	10.92	3.15	80.01	1.71	43.43	0.57	14.48
FFB-75CE	3/4"	2.24	56.90	0.51	12.95	3.92	99.57	2.15	54.61	0.75	19.05
FFB-100CE	1"	2.62	66.55	0.59	14.99	3.92	99.57	2.28	57.91	0.95	24.13
FFB-125CE	1-1/4"	3.03	76.96	0.63	16.00	4.49	114.05	2.69	68.33	1.18	29.97
FFB-150CE	1-1/2"	3.41	86.61	0.67	17.02	5.59	141.99	3.27	83.06	1.46	37.08



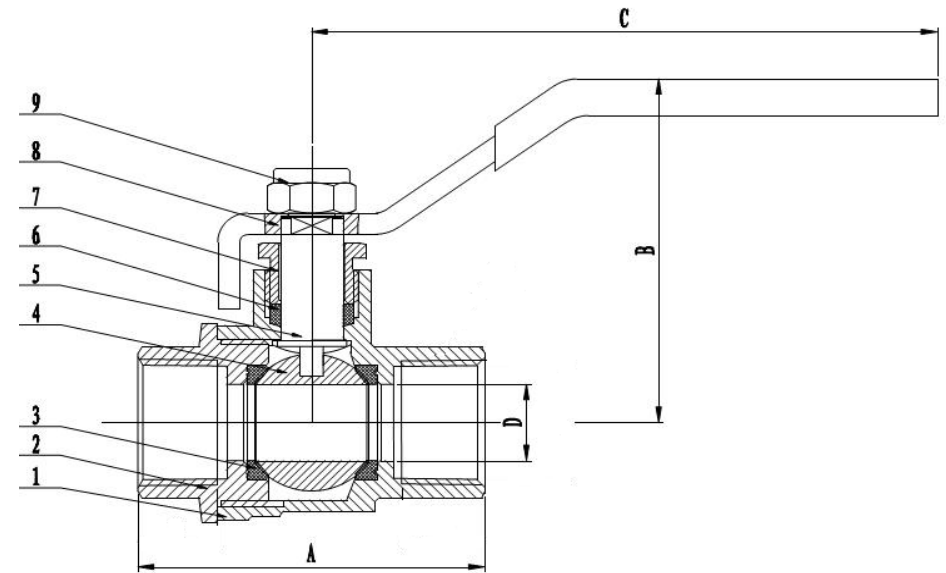
FFB-200CE	2"	3.94	100.08	0.71	18.03	5.59	141.99	3.58	90.93	1.85	46.99
-----------	----	------	--------	------	-------	------	--------	------	-------	------	-------

1.1.7 NSF,UL,CSA approved ,Lead Free, 2PC Full Port Brass Ball Valve

- ♦Working pressure: 1/4"-2" 600PSI , 2-1/2"&3" 400PSI
- ♦Temperature Range: -40° to +400° F (-40°C ~ +205°C)
- ♦Full port ,Female x Female and Male x Female
- ♦Forged brass body and cap ,PTFE Sealing ,Cr.plated brass ball
- ♦Locking Handle is available for the all of sizes.
- ♦T handle is available for the size up to 3/4" .
- ♦Round handle is available for the size up to 1" .



Part #	Part Name	Material
1	Body	lead free-Brass
2	Cap	lead free-Brass
3	Ball Seats	PTFE
4	Ball	lead free-Brass Cr.plated
5	Stem	lead free-Brass



6	Packing	PTFE
7	Packing Nut	lead free-Brass
8	Handle	Steel ,W/Vinyl Cover
9	Nut	Steel,Zinc Plated

In:inch(mm)

Item#	Size	Thread	Port	A	B	C	D
LF-F25BBV	1/4"	Female x Female	Full Port	1.76/44.7	1.74/44.2	3.15/80	0.39/9.91
LF-F33BBV	3/8"			1.76/44.7	1.74/44.2	3.15/80	0.39/9.91
LF-F50BBV	1/2"			2.05/52.07	1.87/47.5	4.01/101.85	0.59/14.99
LF-F75BBV	3/4"			2.36/59.94	2.01/51.05	4.01/101.85	0.75/19.05
LF-F100BBV	1"			2.76/70.10	2.72/69.09	4.53/115	0.98/24.89
LF-F120BBV	1 1/4"			3.3184.07	3.03/76.96	5/127	1.26/32
LF-F150BBV	1 1/2"			3.66/92.96	3.7/93.98	5.59/142	1.58/40.13
LF-F200BBV	2"			4.18/106.17	4/101.6	5.59/142	1.97/50
LF-F250BBV	2 1/2"			5.38/136.65	4.76/120.9	8.66/220	2.52/64

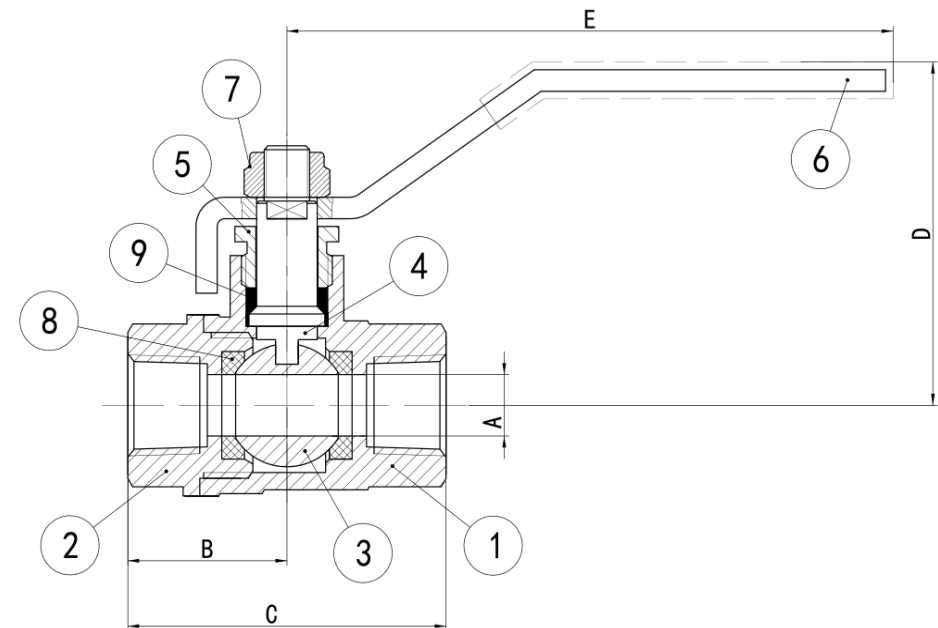
LF-F300BBV	3"			6.04/153.42	5.08/129.03	8.66/220	2.91/73.91
------------	----	--	--	-------------	-------------	----------	------------

1.1.8 NSF approved , Lead Free Solder End Brass Ball Valve

- ◆Working Pressure: 600PSI
- ◆Temperature Range: -40°F to +400°F (-40°C ~ +205°C)
- ◆Forged Brass Construction
- ◆Full Port
- ◆Blow Out Proof Brass Stem
- ◆PTFE Seat Ring,O-Ring Sealing on 1-1/2", 2"
- ◆Hard Chrome Plated Brass Ball
- ◆Steel Handle w/Vinyl Grip
- ◆Male x Female,Female x Female Connection



Part#	Part Name	Material
1	Body	Brass
2	Cap	Brass
3	Ball	Brass
4	Seat	PTFE





Intech Industries Manufacturing Co.,Ltd

5	Gland	Brass
6	Handle	Steel
7	Nut	Brass
8	Stem	Brass
9	Stem Packing	PTFE

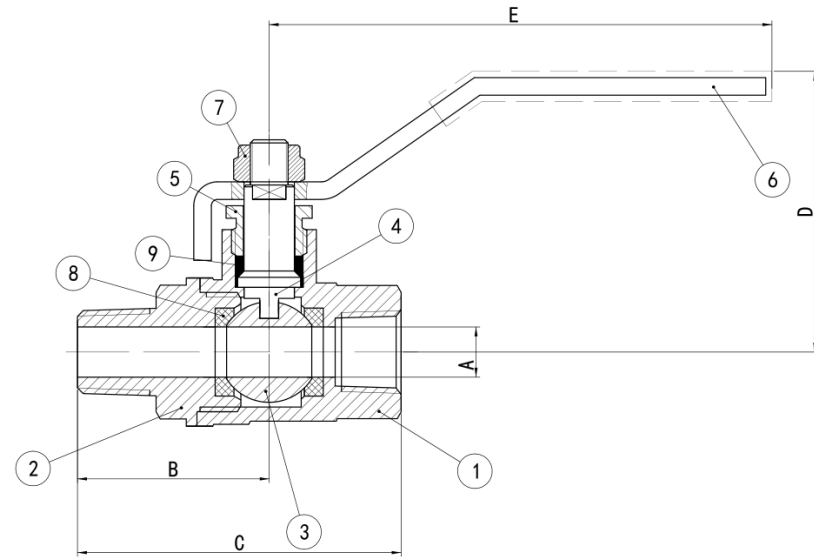
In:inch(mm)

Item#	Size	A	B	C	D	E
KCKTC-25	1/4"	0.31/7.87	0.79/20.00	1.62/41.15	1.77/44.96	3.15/80.01
KCKTC-33	3/8"	0.39/9.91	0.86/21.84	1.73/43.94	1.81/45.97	3.15/80.01
KCKTC-50	1/2"	0.59/14.99	1.10/27.94	2.19/55.63	2.24/56.90	3.92/99.57
KCKTC-75	3/4"	0.75/19.05	1.18/29.97	2.38/60.45	2.36/59.94	3.92/99.57
KCKTC-100	1"	0.98/24.89	1.61/40.89	3.23/82.04	2.68/68.07	4.49/114.05
KCKTC-125	1-1/4"	1.26/32.00	1.89/48.00	3.78/96.01	3.11/78.99	4.8/121.92
KCKTC-150	1-1/2"	1.57/39.88	2.03/51.56	4.06/103.12	3.68/93.47	5.59/141.99
KCKTC-200	2"	1.97/50.04	2.40/60.96	4.8/121.92	4.00/101.60	5.59/141.99

Part#	Part Name	Material
1	Body	Brass



2	Cap	Brass
3	Ball	Brass
4	Seat	PTFE
5	Gland	Brass
6	Handle	Steel
7	Nut	Brass
8	Stem	Brass
9	Stem Packing	PTFE



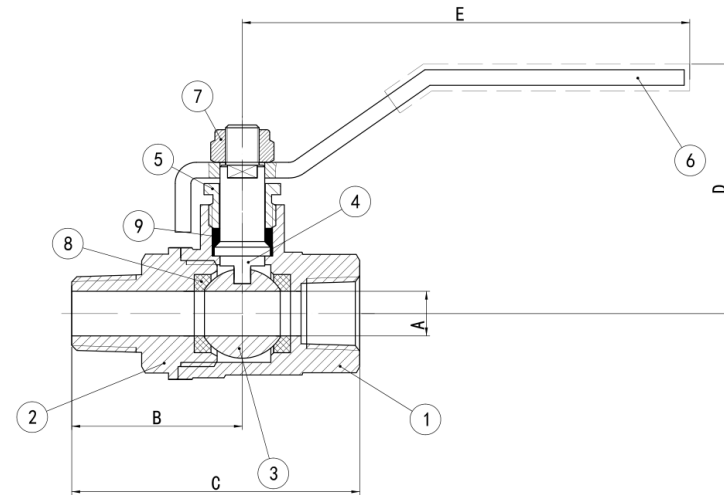
In:inch(mm)

Item#	Size	A	B	C	D	E
KCKTCM-25	1/4"	0.31/7.87	1.20/30.48	2.04/51.87	1.76/44.96	3.15/80.01
KCKTCM-33	3/8"	0.39/9.91	1.26/32.00	2.11/53.59	1.81/45.97	3.15/80.01
KCKTCM-50	1/2"	0.59/14.99	1.50/38.10	2.6/66.04	2.24/56.90	3.92/99.57
KCKTCM-75	3/4"	0.75/19.05	1.65/41.91	2.85/72.39	2.36/59.94	3.92/99.57
KCKTCM-100	1"	0.98/24.89	1.93/49.02	3.54/89.92	2.68/68.07	4.49/114.05
KCKTCM-125	1-1/4"	1.26/32.00	2.24/59.90	4.15/105.41	3.11/78.99	4.8/121.92
KCKTCM-150	1-1/2"	1.57/39.88	2.42/61.47	4.45/113.03	3.68/93.47	5.59/141.99



KCKTCM-200	2"	1.97/50.04	2.83/71.88	5.24/133.10	4.00/101.60	5.59/141.99
------------	----	------------	------------	-------------	-------------	-------------

Part#	Part Name	Material
1	Body	Brass
2	Cap	Brass
3	Ball	Brass
4	Seat	PTFE
5	Gland	Brass
6	Handle	Steel
7	Nut	Brass
8	Stem	Brass
9	Stem Packing	PTFE



In:inch(mm)

Item#	Size	A	B	C	D	E
KCKTCM-25	1/4"	0.31/7.87	1.20/30.48	2.04/51.87	1.76/44.96	3.15/80.01
KCKTCM-33	3/8"	0.39/9.91	1.26/32.00	2.11/53.59	1.81/45.97	3.15/80.01
KCKTCM-50	1/2"	0.59/14.99	1.50/38.10	2.6/66.04	2.24/56.90	3.92/99.57

KCKTCM-75	3/4"	0.75/19.05	1.65/41.91	2.85/72.39	2.36/59.94	3.92/99.57
KCKTCM-100	1"	0.98/24.89	1.93/49.02	3.54/89.92	2.68/68.07	4.49/114.05
KCKTCM-125	1-1/4"	1.26/32.00	2.24/59.90	4.15/105.41	3.11/78.99	4.8/121.92
KCKTCM-150	1-1/2"	1.57/39.88	2.42/61.47	4.45/113.03	3.68/93.47	5.59/141.99
KCKTCM-200	2"	1.97/50.04	2.83/71.88	5.24/133.10	4.00/101.60	5.59/141.99

1.1.9 Full Port Brass Ball Valves

- ◆ 1/4" - 4" 600 PSI (WOG) 150 PSI (WSP) Service
- ◆ Temperature Range: -40°F to 365°F (-40°C to 185°C)
- ◆ Suitable for Vacuum Service Up to 29" Hg
- ◆ FBB, FPC, LBV Series Ball Valves---Female x Female
- ◆ MBB, MPC, MLBV Series Ball Valves---Male x Female
- ◆ Forged Brass Construction
- ◆ Steel Handle w/Vinyl Grip

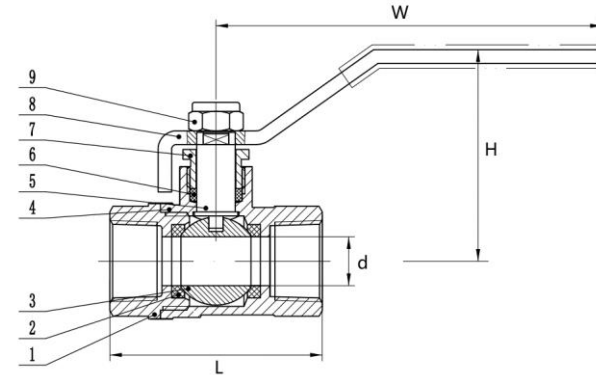
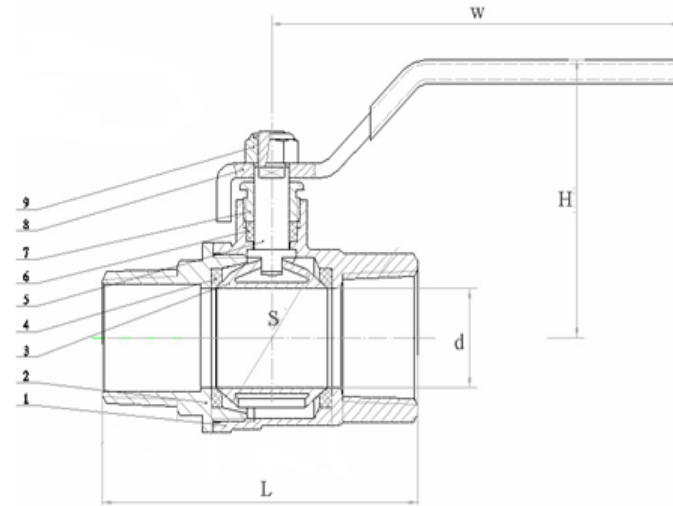
Part#	Parts Name	Material
1	Body	Brass
2	Cap	Brass





Intech Industries Manufacturing Co.,Ltd

3	Ball	Brass
4	Seat	PTFE
5	Stem	Brass
6	Packing	PTFE
7	Gland	Brass
8	Handle	Steel
9	Nut	Brass



Teflon ® Ball Seats

Stem Seat: Teflon Packing

Blow Out Proof Brass Stem

Hard Chrome Plated Brass Ball

LBV Includes Locking Handle, for use with 9/32 Lock ,Lock not included

Male x Female

Non- Plated Body	Ni-Plated Body	Ni-Plated Body Lockable Handle	Size	d	H	L	W
MBB-25F	MPC-25F	MLBV-25F	1/4"	0.31/7.87	1.77/44.96	2.04/51.82	3.15/80.01

Professional & One-Stop Service
-Manufacturing -Customerized -Sourcing&Trading -Stocking

MBB-33F	MPC-33F	MLBV-33F	3/8"	0.39/9.91	1.81/45.97	2.11/53.59	3.15/80.01
MBB-50F	MPC-50F	MLBV-50F	1/2"	0.59/14.99	2.24/56.90	2.6/66.04	3.92/99.57
MBB-75F	MPC-75F	MLBV-75F	3/4"	0.75/19.05	2.36/59.94	2.85/72.39	3.92/99.57
MBB-100F	MPC-100F	MLBV-100F	1"	0.98/24.89	2.68/68.07	3.54/89.92	4.49/114.05
MBB-125F	MPC-125F	MLBV-125F	1-1/4"	1.26/32.00	3.11/78.99	4.15/105.41	4.8/121.92
MBB-150F	MPC-150F	MLBV-150F	1-1/2"	1.57/39.88	3.68/93.47	4.45/113.03	5.59/141.99
MBB-200F	MPC-200F	MLBV-200F	2"	1.97/50.04	4/101.6	5.24/133.10	5.59/141.99

Female x Female

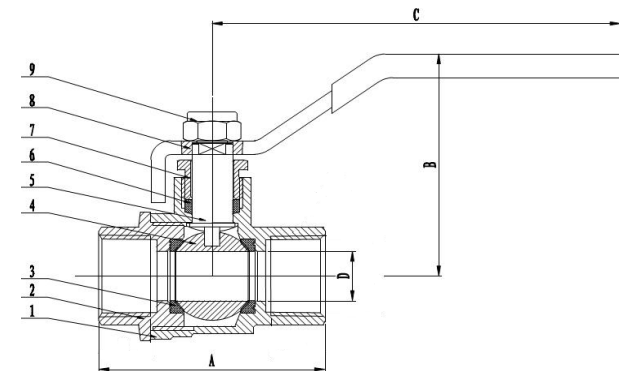
Non- Plated Body	Ni-Plated Body	Ni-Plated Body	Size	d	H	L	W
FBB-25	FPC-25	LBV-25	1/4"	0.31/7.87	1.73/43.94	1.61/40.89	3.15/80.01
FBB-33	FPC-33	LBV-33	3/8'	0.39/9.91	1.81/45.97	1.7/43.18	3.15/80.01
FBB-50	FPC-50	LBV-50	1/2"	0.60/15.24	2.17/55.12	2.19/55.63	3.86/98.04
FBB-75	FPC-75	LBV-75	3/4"	0.75/19.05	2.28/57.91	2.36/59.94	3.86/98.04
FBB-100	FPC-100	LBV-100	1"	0.98/24.89	2.68/68.07	2.87/72.90	4.41/112.01
FBB-120	FPC-120	LBV-120	1-1/4"	1.26/32.00	3.15/80.01	3.31/84.07	4.8/121.92
FBB-150	FPC-150	LBV-150	1-1/2"	1.57/39.88	3.86/98.04	3.74/95.00	5.43/137.92
FBB-200	FPC-200	LBV-200	2"	1.97/50.04	4.21/106.93	4.41/112.01	5.43/137.92
FBB-250	FPC-250	LBV-250	2-1/2"	2.48/62.99	4.72/119.89	5.83/148.08	8.18/207.77
FBB-300	FPC-300	LBV-300	3"	2.88/73.15	5.03/127.76	6.45/163.83	9.68/245.87
FBB-400	FPC-400	LBV-400	4"	3.82/97.03	5.90/149.86	7.48/189.99	9.68/245.87

1.1.10 2PC Full & Standard Port Brass Ball Valve

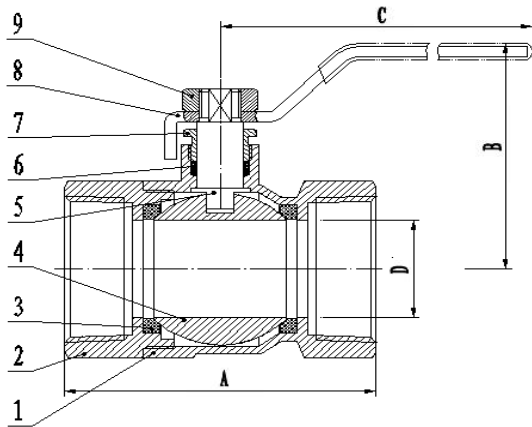
- ◆ Working pressure: 600PSI (PN40) WOG
- ◆ Temperature Range: -40°F to +365°F (-40°C to +185°C)
- ◆ Forged brass body and cap ,PTFE Sealing ,Cr.plated brass ball
- ◆ LDFBV Series --- Full port ,Female x Female and Male x Female
- ◆ LDRBV Series --- Standard Port (one size smaller on port than Full port) .
- ◆ Locking Handle is available as special requirement for the all of sizes.
- ◆ T handle is available as special requirement for the size up to 3/4" .



Part #	Part Nam	Material
1	Body	Brass
2	Cap	Brass
3	Ball Seats	PTFE
4	Ball	Brass Cr.plated
5	Stem	Brass
6	Packing	PTFE
7	Packing Nut	Brass



8	Handle	Steel ,W/Vinyl Cover
9	Nut	Steel,Zinc Plated



In:inch(mm)

Size	Thread	Port	A		B		C		D	
			inch	mm	inch	mm	inch	mm	inch	mm
1/4"	Female x Female	Full Port	1.76	44.60	1.74	44.20	3.15	80.00	0.39	10.00
3/8"			1.76	44.60	1.74	44.20	3.15	80.00	0.39	10.00
1/2"			2.05	52.00	1.87	47.50	4.01	102.00	0.59	15.00
3/4"			2.36	60.00	2.01	51.00	4.01	102.00	0.75	19.00



1"			2.76	70.00	2.72	69.00	4.53	115.00	0.98	25.00
1-1/4"			3.31	84.00	3.03	77.00	5.00	127.00	1.26	32.00
1-1/2"			3.66	93.00	3.70	94.00	5.59	142.00	1.58	40.00
2"			4.18	106.20	4.00	101.50	5.59	142.00	1.96	50.00

In:inch(mm)

Size	Thread	Port	A		B		C		D	
			inch	mm	inch	mm	inch	mm	inch	mm
1/4"	Male x Female	Full Port	1.76	44.60	1.74	44.20	3.15	80.00	0.39	10.00
3/8"			1.76	44.60	1.74	44.20	3.15	80.00	0.39	10.00
1/2"			2.05	52.00	1.87	47.50	4.01	102.00	0.59	15.00
3/4"			2.36	60.00	2.01	51.00	4.01	102.00	0.75	19.00
1"			2.76	70.00	2.72	69.00	4.53	115.00	0.98	25.00
1-1/4"			3.31	84.00	3.03	77.00	5.00	127.00	1.26	32.00
1-1/2"			3.66	93.00	3.70	94.00	5.59	142.00	1.58	40.00
2"			4.18	106.20	4.00	101.50	5.59	142.00	1.97	50.00

In:inch(mm)

Size	Thread	Port	A		B		C		D	
			inch	mm	inch	mm	inch	mm	inch	mm



1/2"	Female x Female	Standard Port	1.96	50.00	1.47	37.50	3.18	81.00	0.39	10.00
3/4"			2.16	55.00	1.89	48.00	3.18	81.00	0.59	15.00
1"			2.67	68.00	2.14	54.35	3.63	92.30	0.75	19.00
1-1/4"			3.05	77.40	2.58	65.75	5.35	136.00	0.98	25.00
1-1/2"			3.49	88.60	2.92	74.30	5.35	136.00	1.26	32.00
2"			3.78	96.00	3.48	88.40	5.68	144.50	1.49	38.00

In:inch(mm)

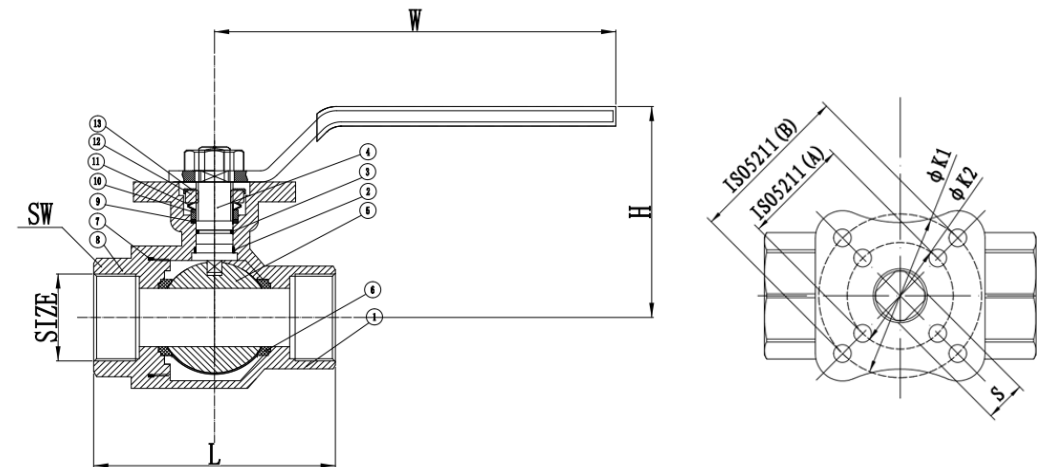
Size	Thread	Port	A		B		C		D	
			inch	mm	inch	mm	inch	mm	inch	mm
1/2"	Male x Female	Standard Port	1.96	50.00	1.47	37.50	3.18	81.00	0.39	10.00
3/4"			2.16	55.00	1.89	48.00	3.18	81.00	0.59	15.00
1"			2.67	68.00	2.14	54.35	3.63	92.30	0.75	19.00
1-1/4"			3.05	77.40	2.58	65.75	5.35	136.00	0.98	25.00
1-1/2"			3.49	88.60	2.92	74.30	5.35	136.00	1.26	32.00
2"			3.78	96.00	3.48	88.40	5.68	144.50	1.49	38.00

1.1.11 2-Way Brass Ball Valve with ISO5211 Mounting

- ◆ Working pressure: 600PSI(WOG)
- ◆ Temperature Range: -20°F to 425°F (-30°C to +220°C)
- ◆ Full Port
- ◆ PTFE Seats and Seals
- ◆ Blow Out Proof Stem
- ◆ Nickle Plated Body and Cap
- ◆ Steel Handle w/Vinyl Grip



Part#	Part Name	Material
1	Body	Brass
2	Seal Ring	NBR
3	O-ring	NBR
4	Stem	Brass
5	Ball	Brass
6	Sealing	PTFE
7	Sealing gasket	PTFE
8	Bonnet	Brass
9	Stem sealing	PTFE
10	Gasket	PTFE





Intech Industries Manufacturing Co.,Ltd

11	V sealing	Stainless steel
12	Lock nut	Stainless steel
13	Ferrule	Stainless steel

In:inch(mm)

Item#	Size	SW	L	H	S	W	K1	Flange Type	K2	Flange Type	Torque (N.m)
ISOMBV-50	1/2"	1.02" (26)	2.17" (55)	1.52" (38)	0.35" (9)	5.51" (140)			1.42" (36)	F03	7
ISOMBV-75	3/4"	1.26" (32)	2.79" (71)	1.63" (41)	0.43" (11)	6.30" (160)	1.97" (50)	F05			10
ISOMBV-100	1"	1.54" (39)	3.23" (82)	1.76" (45)	0.43" (11)	6.30" (160)	1.97" (50)	F05			14
ISOMBV-125	1-1/4"	1.69" (43)	3.58" (91)	2.13" (54)	0.55" (14)	7.28" (185)	2.75" (70)	F07	1.97" (50)	F05	16
ISOMBV-150	1-1/2"	2.13" (54)	4.06" (103)	2.32" (59)	0.55" (14)	7.28" (185)	2.75" (70)	F07	1.97" (50)	F05	16
ISOMBV-200	2"	2.72" (69)	4.76" (121)	2.65" (67)	0.55" (14)	7.28" (185)	2.75" (70)	F07	1.97" (50)	F05	25

1.1.12 Brass Ball Valve with oval

- ◆1/4" - 1" 600 PSI (WOG) 150 PSI (WSP) Service
- ◆Temperature Range: -40°F to 365°F(-40 °C to +185 °C)
- ◆Suitable for Vacuum Service Up to 29" Hg

Professional & One-Stop Service
-Manufacturing -Customerized -Sourcing&Trading -Stocking





Intech Industries Manufacturing Co.,Ltd

- ◆Forged Brass Construction
- ◆Teflon ® Ball Seats
- ◆Stem Seat: Teflon Packing
- ◆Blow Out Proof Brass Stem
- ◆Hard Chrome Plated Brass Ball
- ◆LBV Includes Locking Handle,for use with 9/32 Lock ,Lock not included

Parts #	Part Name	Material
1	Body	Brass
2	Cap	Brass
3	Ball	Brass
4	Seat	PTFE
5	Stem	Brass
6	Packing	PTFE
7	Gland	Brass
8	Handle	Steel
9	Handle Set Nut	Steel

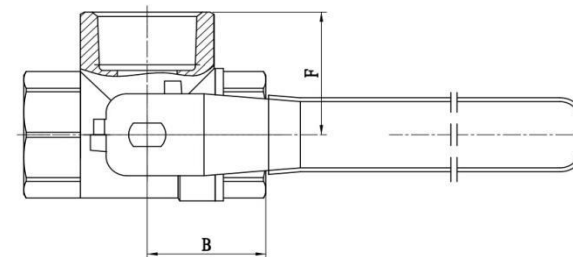
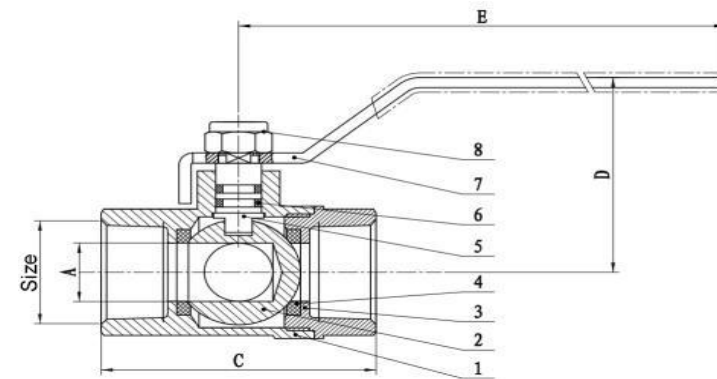
In: inch (mm)

Item#	G		L		L1		L2		H		W	
	inch	mm	inch	mm	inch	mm	inch	mm	inch	mm	inch	mm
1WMP4	1/4	6.35	1.61	40.89	0.41	10.41	0.41	10.41	1.97	50.08	2.95	74.93
1WMP5	3/8	9.53	1.71	43.43	0.41	10.41	0.41	10.41	2.01	51.05	2.95	74.93
1WMP6	1/2	12.7	2.19	55.63	0.55	13.97	0.59	14.99	2.48	62.99	3.82	97.03
1WMP7	3/4	19.05	2.36	59.95	0.53	13.46	0.59	14.99	2.56	65.02	3.82	97.03
1WMP8	1	25.4	2.89	73.4	0.67	17.02	0.67	17.02	2.95	74.93	3.94	100.08

1.1.13 4 Seats 3-Way Brass Ball Valve with ISO Mounting

- ◆ Working pressure: 600PSI(WOG)
- ◆ Temperature Range: -20F to 425°F(-30°C to +220°C)
- ◆ 3 Way diverter
- ◆ 4 Seats design, L Port
- ◆ Reduced Port
- ◆ PTFE Seats ,Blow out proof stem design
- ◆ Nickle Plated Body and Cap
- ◆ Steel Handle w/Vinyl Grip

Part #	Part Name	Material
1	Body	Brass
2	Ball	Brass
3	Caps	Brass
4	Seat	PTFE
5	Stem	Brass
6	Packing	PTFE





Intech Industries Manufacturing Co.,Ltd

7	Handle	Steel
8	Nut	Steel

In: Inch (mm)

Item #	Size	A	B	C	D	E	F
IPYZ8	1/4"	0.39 (9.9)	0.92 (23.4)	1.83 (46.5)	1.77 (45.0)	3.88 (98.6)	0.93 (23.6)
IPYZ9	3/8"	0.39 (9.9)	0.92 (23.4)	1.83 (46.5)	1.77 (45.0)	3.88 (98.6)	0.93 (23.6)
IPYZA1	1/2"	0.51 (13.0)	1.10 (27.9)	2.20 (55.9)	1.83 (46.5)	3.88 (98.6)	1.12 (28.4)
IPYZA2	3/4"	0.67 (17.0)	1.18 (30.0)	2.37 (60.2)	1.99 (50.5)	4.84 (122.9)	1.24 (31.5)
IPYZA3	1"	0.87 (22.1)	1.46 (37.1)	2.92 (74.2)	2.13 (54.1)	4.84 (122.9)	1.54 (39.1)
IPYZA4	1-1/4"	0.98 (24.9)	1.61 (40.9)	3.23 (82.0)	2.46 (62.5)	5.51 (140.0)	1.85 (47.0)
IPYZA5	1-1/2"	1.26 (32.0)	1.87 (47.5)	3.81 (96.8)	2.76 (70.1)	5.51 (140.0)	2.07 (52.6)
IPYZ1A6	2"	1.50 (38.1)	1.99 (50.5)	3.98 (101.1)	2.97 (75.4)	5.51 (140.0)	2.26 (57.4)

1.1.14 1 PC Body Standard Port Brass Ball Valve

◆1/2" - 2" 450 PSI (WOG) 150 PSI (WSP) Service

Professional & One-Stop Service
-Manufacturing -Customerized -Sourcing&Trading -Stocking

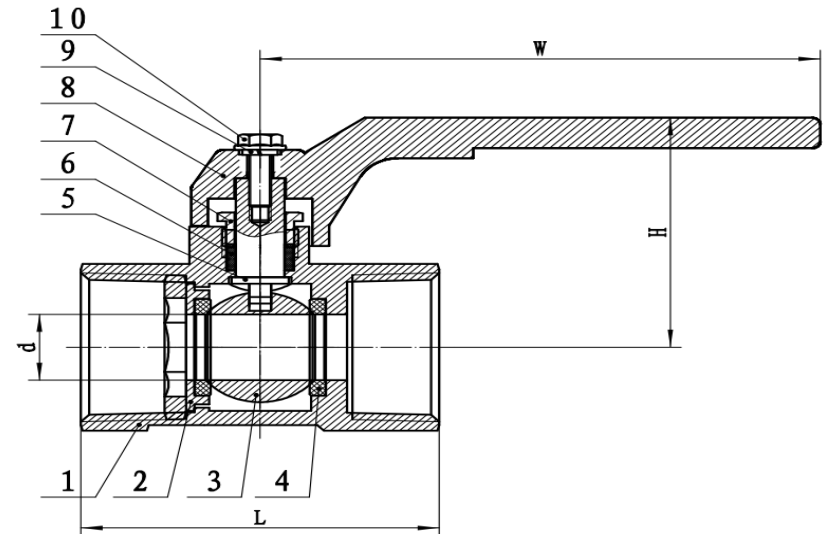




Intech Industries Manufacturing Co.,Ltd

- ◆Temperature Range: -40°F to 365°F(-40°C to +185°C)
- ◆Suitable for Vacuum Service Up to 29" Hg
- ◆Forged Brass Construction,Nickle plated body
- ◆Aluminum Die-Cast Handle

Part#	Part Name	Material
1	Body	Brass
2	Cap	Brass
3	Ball	Brass
4	Seat	PTFE
5	Packing	PTFE
6	Stem	Brass
7	Gland	Brass
8	Handle	Al.Die-Cast
9	Washer	65Mn
10	Nut	S.S



In:Inch(mm)

Non- Plated Body	Nickle Plated Body	Size	d	H	L	W
	KT-QY11SA16T-15	1/2"	0.37/9.40	1.77/44.96	2.25/57.15	3.74/95.00
	KT-QY11SA16T-20	3/4"	0.47/11.94	1.89/48.01	2.36/59.94	3.94/100.08
	KT-QY11SA16T-25	1"	0.59/14.99	2.17/55.12	2.6/66.04	4.14/105.16
	KT-QY11SA16T-32	1-1/4"	0.83/21.08	2.4/60.96	2.95/74.93	4.13/104.90
	KT-QY11SA16T-40	1-1/2"	0.98/24.89	2.8/71.12	3.23/82.04	5.35/135.89
	KT-QY11SA16T-50	2"	1.26/32.00	3.07/77.98	3.86/98.04	5.35/135.89

1.1.15 Brass Ball Valve Threaded/Solder Ends With Side Drain

- ◆Working Pressure:600PSI
- ◆Temperature Range: -40°F to +365°F (-40°C to +185°C)
- ◆Forged brass body and cap . Cr.plated brass ball , Brass Stem .PTFE Ball seats and packing .

Professional & One-Stop Service
-Manufacturing -Customerized -Sourcing&Trading -Stocking

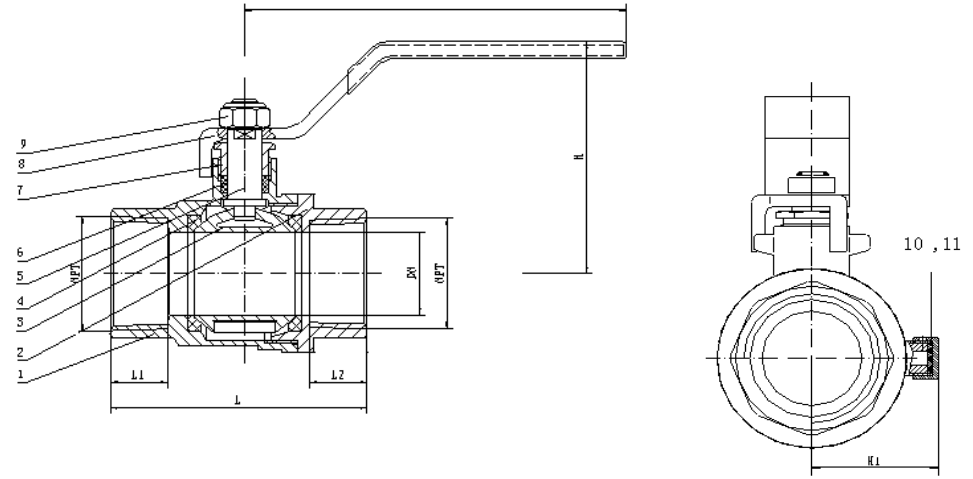




Intech Industries Manufacturing Co.,Ltd

- ◆Female x Female NPT Threaded ends ,or solder ends. Steel Handle with Plastic Grip .
- ◆Side drain port is sealed by a cap with rubber pad . Size available from 1/2" to 1",Full Port
- ◆Steel Handle w/Vinyl Grip

Part #	Part Name	Material
1	Body	Brass
2	Cap	PTFE
3	Ball	Brass
4	Sealing Seat	PTFE
5	Stem	Brass
6	Packing	PTFE
7	Gland	Brass
8	Handle	Steel
9	Nut	Nylon
10	Drain Cap	Brass



Threaded Ends:

In: Inch (mm)

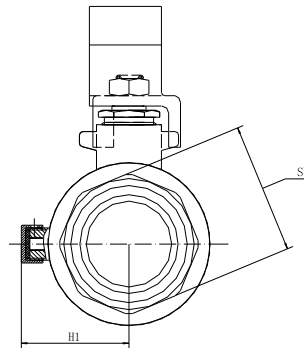
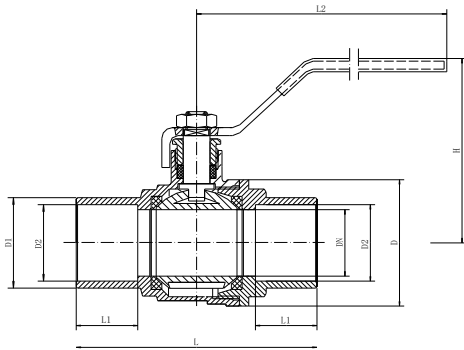
Item#	Size	L	L1	L2	H	H1	DN
-------	------	---	----	----	---	----	----

Professional & One-Stop Service

-Manufacturing -Customerized -Sourcing&Trading -Stocking

	Inch	mm	Inch	mm	Inch	mm	Inch	mm	Inch	mm	Inch	mm	Inch	mm
1PYN9	1/2"	12.70	2.34	59.44	0.55	13.77	0.55	13.97	2.24	56.90	1.43	36.32	0.59	14.99
1PYP1	3/4"	19.05	2.30	58.42	0.53	13.46	0.55	13.97	2.36	59.94	1.16	29.46	0.75	19.05
1PYP2	1"	25.40	3.13	79.50	0.67	17.02	0.67	17.02	2.71	68.83	1.32	33.53	0.98	24.89

Brass Ball Valve Solder Ends , With Side Drain



Solder Ends:

In: Inch (mm)

Item# 货号	Size (尺寸)		L		L1		L2		H		H1		DN	
	Inch	mm	Inch	mm	Inch	mm	Inch	mm	Inch	mm	Inch	mm	Inch	mm
1PYN3	1/2"	12.70	2.24	56.90	0.50	12.70	3.92	99.57	2.25	57.15	0.90	23.00	0.59	14.99
1PYN4	3/4"	19.05	2.89	73.41	0.75	19.05	3.92	99.57	2.32	58.93	1.14	28.96	0.75	19.05



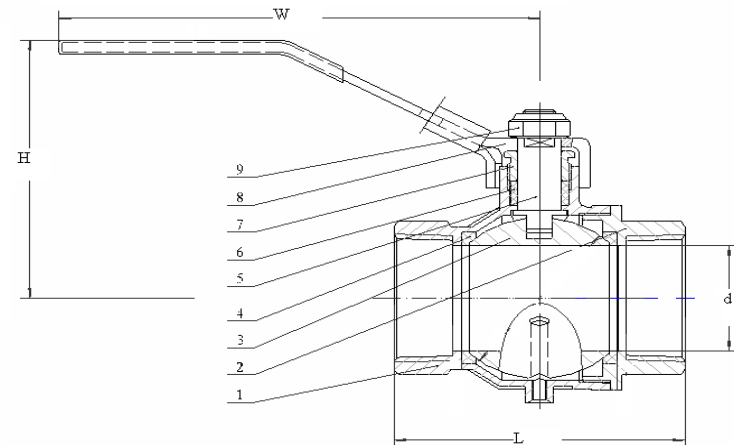
1PYN5	1"	25.40	3.57	90.68	0.91	23.11	4.49	114.05	2.74	69.60	1.32	33.53	0.98	24.89
-------	----	-------	------	-------	------	-------	------	--------	------	-------	------	-------	------	-------

1.1.16 Auto Drain Safety Exhaust Brass Ball Valve With Lockable Handle

- ◆300 PSI (WOG) 150 PSI (WSP) Service 1/4" - 1"
- ◆200 PSI (WOG) 150 PSI (WSP) Service 1-1/4" & Up
- ◆Temperature Range: -40° F to 350°F(-40° C to 180°C)
- ◆Forge Brass Construction
- ◆Full Port
- ◆Teflon ® Seals
- ◆Blow Out Proof Stem
- ◆Hard Chrome Plated Brass Ball
- ◆Lockable Steel Handle w/Vinyl Grip
- ◆Use with 9/32 Lock, Lock Not Included
- ◆Threaded (10-32) Automatic Vent
- ◆Female x Female, Male x Female Connection



Part #	Part Name	Material
9	Nut	Steel
8	Handle	Steel
7	Gland	Brass
6	Packing	PTFE



5	Stem	Brass
4	Seat	PTFE
3	Ball	Brass
2	Caps	Brass
1	Body	Brass

In:Inch(mm)

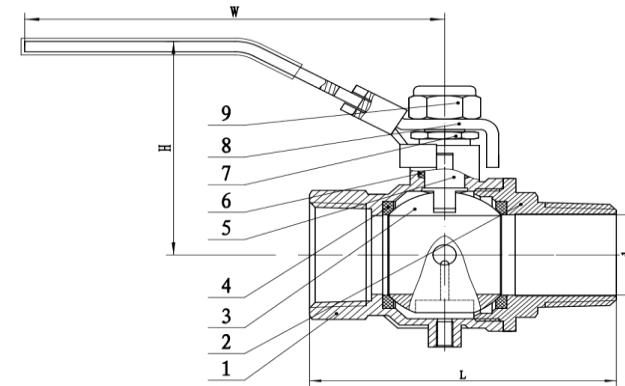
Item#	Size	d		H		L		W	
		In	mm	In	mm	In	mm	In	mm
ADV-25	1/4"	0.31	7.87	1.96	49.78	1.71	43.43	4.07	103.38
ADV-33	3/8"	0.40	10.16	2.00	50.80	1.79	45.47	4.07	103.38
ADV-50	1/2"	0.59	14.99	2.24	56.90	2.30	58.42	4.07	103.38
ADV-75	3/4"	0.75	19.05	2.35	59.69	2.56	65.02	4.49	114.05
ADV-100	1"	0.98	24.89	2.68	68.07	2.89	73.41	4.92	124.97
ADV-120	1-1/4"	1.26	32.00	2.92	74.17	3.37	85.60	5.00	127.00
ADV-150	1-1/2"	1.57	39.88	3.95	100.33	3.62	91.95	5.98	151.89

Part # (部件编号)	Part Name (部件名称)	Material (材质)
9	Nut 螺帽	Steel 碳钢
8	Handle 手柄	Steel 碳钢

Professional & One-Stop Service
[-Manufacturing -Customerized -Sourcing&Trading -Stocking](#)



7	Gland 压帽	Brass 黄铜
6	Packing 填料	PTFE 聚四氟乙烯
5	Stem 阀杆	Brass 黄铜
4	Seat 球座	PTFE 聚四氟乙烯
3	Ball 球体	Brass 黄铜
2	Caps 阀帽	Brass 黄铜
1	Body 阀体	Brass 黄铜



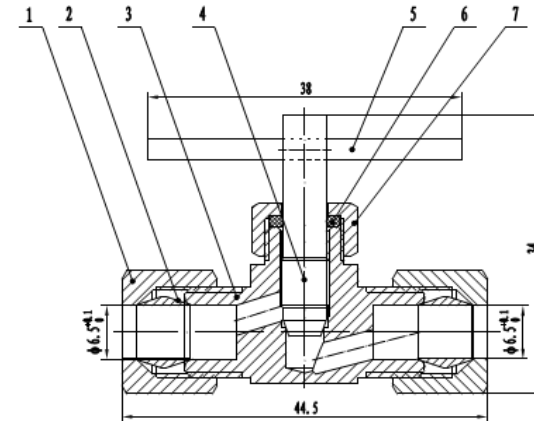
In:Inch(mm)


Item#	Size	d		H		L		W	
		In	mm	In	mm	In	mm	In	mm
ADVM-25	1/4"	0.31	7.87	1.89	48.01	2.00	50.80	3.78	96.01
ADVM-33	3/8"	0.40	10.16	1.89	48.01	2.11	53.59	3.78	96.01
ADVM-50	1/2"	0.59	14.99	2.17	55.12	2.62	66.55	3.86	98.04
ADVM-75	3/4"	0.75	19.05	2.36	59.94	2.91	73.91	4.41	112.01
ADVM-100	1"	0.98	24.89	2.68	68.07	3.31	84.07	4.53	115.06
ADVM-120	1-1/4"	1.26	32.00	2.83	71.88	3.54	89.92	5.00	127.00
ADVM-150	1-1/2"	1.57	39.88	3.95	100.33	3.64	92.46	5.98	151.89
ADVM-200	2"	1.97	50.04	4.20	106.68	4.96	125.98	5.98	151.89

1.1.17 Brass Needle Valves

- ◆Working pressure:150 PSI
- ◆Temperature range: -65° to 250°F(-50°C to 120°C)
- ◆Metal to metal seats
- ◆Used for instrumentation,hydraulic,and pneumatic systems;with copper,aluminum, steel and plastic tubing.Valves come complete with nuts and sleeves.
- ◆Stainless Steel T-Bar Handle

Part#	Part Name	Material
1	Ferrule Nut	HPb58-3A
2	Rand	H62
3	Body	HPb58-3A
4	Stem	HPb58-3A
5	Handle	S.S304
6	O-ring	Viton
7	Stem Nut	HPb58-3A



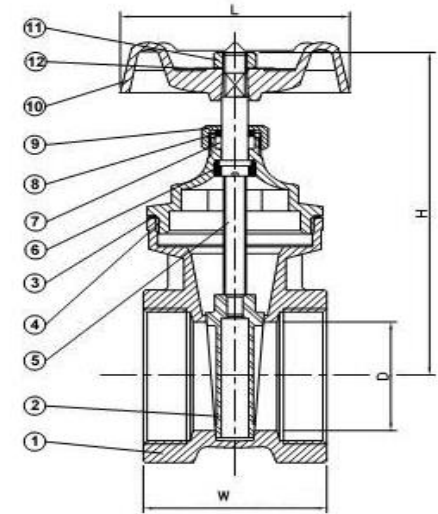
Item # 货号	Specification 描述	Images 图片
6MM61	1/4" OD Tube Compression x 1/8" Male NPT	
6MM62	1/4" OD Tube Compression x 1/8" Female NPT	
6MM63	1/4" OD Tube Compression x 1/4" Male NPT	
6MM66	1/4" x 1/4" OD Tube Compression	



6MM29	1/8" x 1/8" Female NPT	
6MM30	1/4" x 1/4" Female NPT	
6MM31	1/8" Female x 1/8" Male ,NPT	
6MM32	1/4" Female x 1/4" Male NPT	

1.1.18 Brass Gate Valve

- ♦200 PSI (WOG) 125 PSI (WSP) Service
- ♦Temperature Range: -40°F to 300°F(-40 °C to +150 °C)
- ♦Forged Brass Construction
- ♦1/2" Full Port
- ♦3/4" & Above Regular Port
- ♦Body & Bonnet are Connected w/Tight
- ♦Metal to Metal Leak Proof Seat
- ♦Screwed Bonnet
- ♦Non Rising Stem
- ♦Solid Wedge Disc & Integral Seats
- ♦Black Round Metal Handle
- ♦Female x Female Connection



Part #	Part Name	Material
1	Body	Brass
2	DISC	Brass
3	GASKET	PTFE
4	BONNET	Brass



Intech Industries Manufacturing Co.,Ltd

5	STEM	Brass
6	Stop Ring	Brass
7	Packing	PTFE
8	Gland	Brass
9	Packing Nut	Brass
10	Hand wheel	Cast Iron
11	Nut	Steel
12	Name Plate	Aluminum

In:Inch (mm)

Item# 货号	Size 尺寸		D		L		H		W	
	Inch	mm	Inch	mm	Inch	mm	Inch	mm	Inch	mm
BGV-50	1/2"	12.70	0.51"	12.95	2.13"	54.10	2.83"	71.88	1.57"	39.87
BGV-75	3/4"	19.05	0.61"	15.49	2.13"	54.10	3.07"	77.98	1.69"	42.93
BGV-100	1"	25.40	0.77"	19.56	2.32"	58.93	3.43"	87.12	1.99"	50.55
BGV-120	1-1/4"	31.75	1"	25.40	2.87"	72.90	4.02"	102.11	2.05"	52.07
BGV-150	1-1/2"	38.10	1.24"	31.50	2.87"	72.90	4.53"	115.06	2.17"	55.12
BGV-200	2"	50.80	1.71"	43.43	3.11"	78.99	5.31"	134.87	2.56"	65.02

BGV-250	2-1/2"	63.50	2.22	56.39	3.78"	96.01	6.89"	175.01	3.27"	83.06
BGV-300	3"	76.20	2.72	69.09	4.33"	109.98	7.87"	199.90	3.86"	98.04
BGV-400	4"	101.60	3.43	87.12	5.12"	130.05	9.17"	232.92	4.06"	103.12

1.1.19 Brass Spring Handle Ball Valve

- ◆Working pressure:600 PSI for brass,2000 PSI for S.S
- ◆Temperature Range:-40°F to 365°F(-40°C to +185°C)
- ◆Material:Brass / 316 Stainless steel
- ◆Spring Lever Handle w/Vinyl Grip

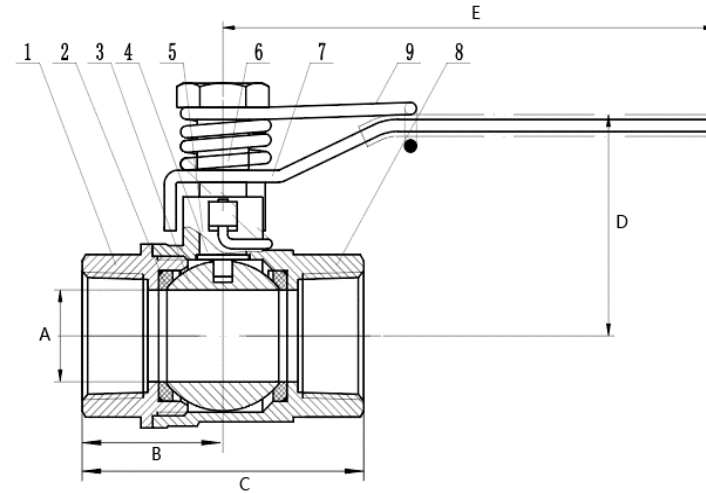
Part #	Part Name	Material
1	Caps	Brass/316.S.S.
2	Seat	PTFE
3	Ball	Brass/316.S.S.





Intech Industries Manufacturing Co.,Ltd

4	Stem	Stainless Steel
5	O- Ring	Viton
6	Nut	Brass/316.S.S.
7	Handle	Stainless Steel
8	Body	Brass/316.S.S.
9	Spring Coil	Stainless Steel



Item#	Size 尺寸	L	D	DN	H	In:Inch(mm)	
						L3	
Brass Spring Handle Ball Valve							
1WMP1	1/2"	2.19/55.63	1.24/31.50	0.59/14.99	2.24/56.90	3.92/99.57	
1WMP2	3/4"	2.38/60.45	1.5/38.10	0.75/19.05	2.36/59.94	3.92/99.57	
1WMP3	1"	3.23/82.04	1.91/48.51	0.98/24.89	2.71/68.83	4.49/114.05	
316 Stainless steel Spring Handle Ball Valve							
SSBV-50	1/2"	2.19/55.63	1.24/31.50	0.59/14.99	2.24/56.90	3.92/99.57	
SSBV-75	3/4"	2.38/60.45	1.5/38.10	0.75/19.05	2.36/59.94	3.92/99.57	

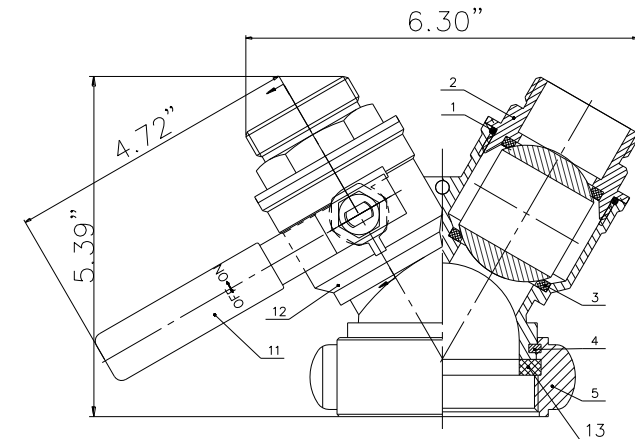
Professional & One-Stop Service
 -Manufacturing -Customerized -Sourcing&Trading -Stocking

SSBV-100	1"	3.23/82.04	1.91/48.51	0.98/24.89	2.71/68.83	4.49/114.05
----------	----	------------	------------	------------	------------	-------------

1.1.20 3-Way Wye-Style Brass Ball Valve ,With Fire Hose Connections

- ◆Working pressure: 200 PSI WOG
- ◆Temperature Range: -20° to +150°F(-30°C to +65°C)
- ◆Reduced Port PTFE Seats
- ◆Steel handle

Part #	Part Name	Material
1	Joint Gasket	PTFE
2	Caps	Brass
3	Seat	PTFE
4	Spring	Steel
5	Inlet Nut	Brass
6	Ball	Brass
7	Stuffing	PTFE
8	Gland	Brass





Intech Industries Manufacturing Co.,Ltd

9	Nut	Brass
10	Stem	Brass
11	Handle	Steel
12	Body	Brass
13	Washer	Rubber

Item# 货号	Size 尺寸	Threads 螺纹
1PZC6	2-1/2"F x 1-1/2"M x 1-1/2"M	NPHS
1PZC7	2-1/2"F x 1-1/2"M x 1-1/2"M	NH

1.1.21 3-way Wye Brass Ball Valve

+Max. Pressure:W.O.G.(water,oil,inert gas):

- ◆Unvented Valve:600PSI@70°F
- ◆Vented Valve:250PSI@70°F
- ◆W.S.P.(working steam pressure):
- ◆Unvented Valve:150PSI@365°F
- ◆Vented Valve:Not rated
- ◆Vacuum Rating:29" Hg
- ◆Temperature Range:-40° to 365°F(-40° to + 185°C)
- ◆Full Ports

Part#	Part Name	Material
1	Body	Brass



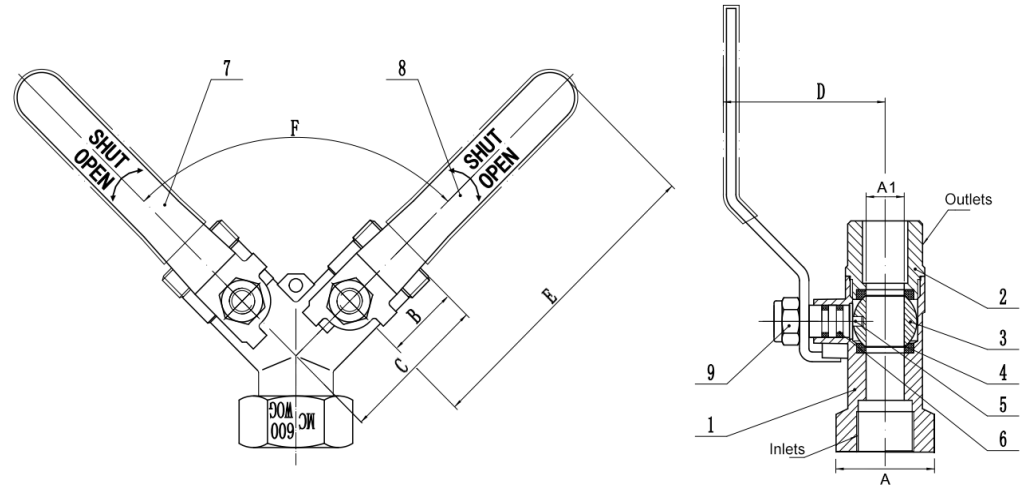
Professional & One-Stop Service

-Manufacturing -Customerized -Sourcing&Trading -Stocking



Intech Industries Manufacturing Co.,Ltd

2	Seat	PTFE
3	Ball	Brass
4	Cap	Brass
5	Stem	Brass
6	O-ring	Rubber
7	Handle	Steel
8	Nut	S.S
9	Handle	Steel



In:Inch(mm)

Item #	Inlet	Outlets	A1 (In)		C (In)		D (In)		E		F
			Inch	mm	Inch	mm	Inch	mm	Inch	mm	
MTW-7510	1" NPT Female	3/4" NPT Male	0.59	14.99	2.5	63.5	2.05	52.07	5.18	131.57	90 Degree
MTW-7550	1/2" NPT Female	3/4" NPT Male	0.39	10	2.54	64.5	2.01	51	4.8	122	90 Degree
MTW-5050	1/2" NPT Female	1/2" NPT Male	0.39	10	2.54	64.5	2.01	51	4.8	122	90 Degree

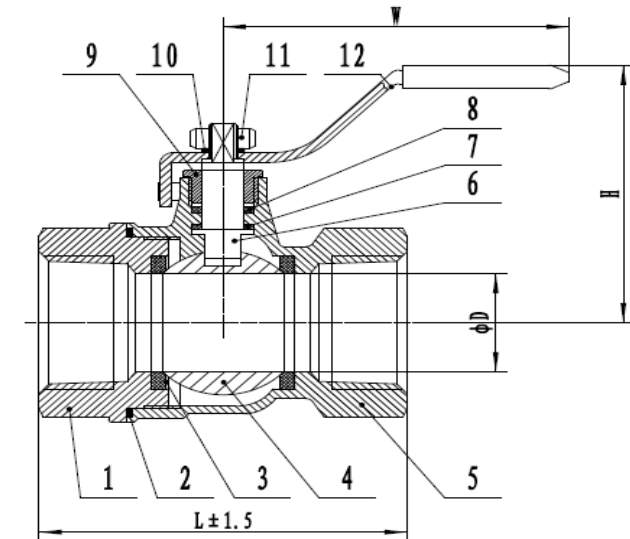
1.2 Stainless steel ball valve

1.2.1 2PC Stainless steel ball valve, standard port,600 PSI

- ◆Working pressure: 600PSI
- ◆Temperature Range:-22°F to 428°F(-30°C to +220°C)
- ◆Standard port
- ◆Size:From 1/4" to 2-1/2"



Part#	Part Name	Material
1	Plastic Cover	Plastic
2	Handle	304 S.S
3	Gland Nut	304 S.S
4	Stem Nut	304 S.S
5	Spring Washer	304 S.S
6	Stem Packing	PTFE
7	Thrust Washer	PTFE
8	Joint Gasket	PTFE





Intech Industries Manufacturing Co.,Ltd

9	Cap	304/316 S.S
10	Body	304/316 S.S
11	Ball Seat	PTFE
12	Ball	304/316 S.S

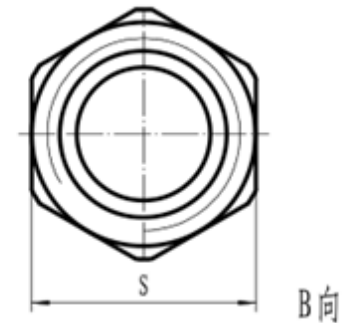
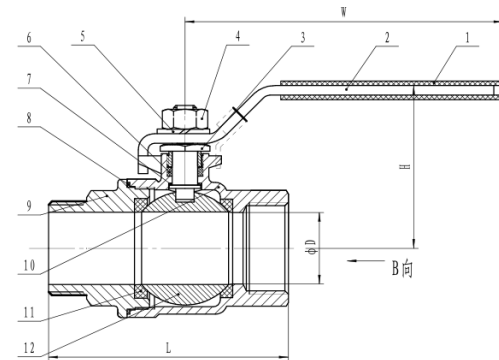
In:Inch(mm)

Item #	Size	DN	L	D	H	W
	1/4	8A	1.99"(50.5)	0.39"(10)	1.97"(50)	3.35"(85)
	3/8	10A	1.99"(50.5)	0.39"(10)	1.97"(50)	3.35"(85)
	1/2	15A	2.24"(56)	0.39"(10)	2.05"(52)	3.35"(85)
	3/4	20A	2.40"(61)	0.59"(15)	2.28"(58)	3.74"(95)
	1	25A	2.91"(74)	0.79"(20)	2.44"(62)	4.13"(105)
	1-1/4	32A	3.29"(83.5)	0.98"(25)	2.60"(66)	4.53"(115)
	1-1/2	40A	3.64"(92.5)	1.26"(32)	3.03"(77)	5.12"(130)
	2	50A	4.09"(104)	1.50"(38)	3.23"(82)	5.91"(150)
	2-1/2	65A	5.12"(130)	1.97"(50)	3.70"(94)	7.28"(185)

1.2.2 2PC Body 316 Stainless Steel Ball Valve, Male x Female

- ◆ Working pressure: 1000PSI WOG
- ◆ Temperature Range :-20°F to +450°F (-30°C to 230°C)
- ◆ 316 Stainless Steel Body ,Cap ,Ball and Stem ,PTFE (or RPTFE) Ball Seats
- ◆ Up to 4" ,Full port
- ◆ Lever Handle

Part#	Part Name	Material
1	Sleeve	Plastic
2	Handle	S.S304
3	Gland nut	S.S304
4	Stem nut	S.S304
5	Spring washer	S.S304
6	Stem packing	PTFE
7	Thrust gasket	PTFE
8	Joint gasket	PTFE
9	Cap	S.S316/S.S304





Intech Industries Manufacturing Co.,Ltd

10	Body	S.S316/S.S304
11	Ball Seat	PTFE
12	Ball	S.S316/S.S304

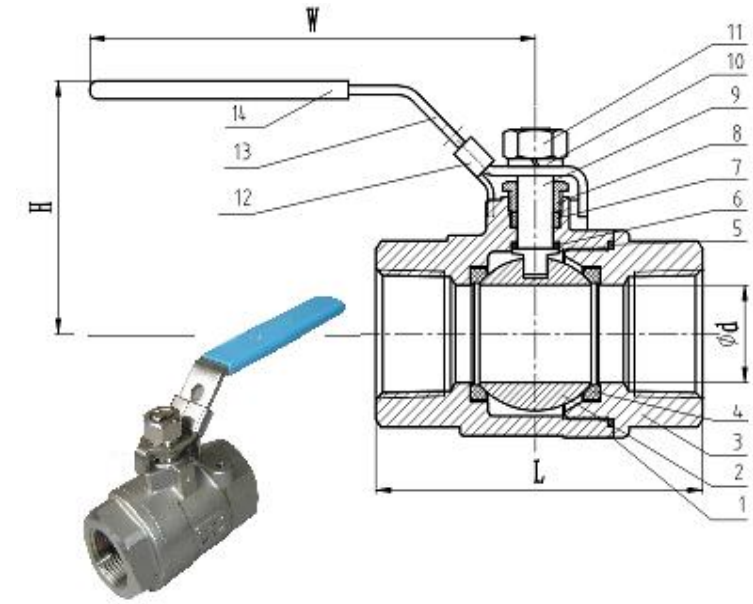
In:Inch(mm)

Item#	Size	D		L		H		W		S	
		inch	mm	inch	mm	inch	mm	inch	mm	inch	mm
SSR-25-M	1/4"	0.46	11.6	2.22	56.5	1.89	48	3.58	91	0.75	19
SSR-33-M	3/8"	0.49	12.5	2.22	56.5	1.89	48	3.58	91	0.83	21
SSR-50-M	1/2"	0.59	15	2.81	71.5	2.05	52	3.58	91	1.00	25.5
SSR-75-M	3/4"	0.79	20	3.07	78	2.40	61	4.37	111	1.22	31
SSR-100-M	1"	0.98	25	3.58	91	2.56	65	4.37	111	1.48	37.5
SSR-125-M	1-1/4"	1.26	32	3.94	100	3.11	79	6.06	154	1.83	46.5
SSR-150-M	1-1/2"	1.50	38	4.33	110	3.27	83	6.06	154	2.11	53.5
SSR-200-M	2"	1.97	50	5.31	135	3.82	97	7.56	192	2.60	66
SSR-250-M	2-1/2"	2.52	64	6.30	160	5.08	129	9.69	246	3.25	82.5
SSR-300-M	3"	2.99	76	7.13	181	5.43	138	9.69	246	3.84	97.5
SSR-400-M	4"	3.70	94	10.04	255	6.89	175	12.48	317	5.12	130

1.2.3 2000PSI Stainless Steel ball valve w/Lockable lever handle

- ◆ Working pressure: 2000 PSI WOG
- ◆ Temperature Range: -60°F to 450°F (-50° to 230°C)
- ◆ 2PC Body 316 Stainless Steel Ball Valve
- ◆ 316 Stainless Steel Body ,Cap ,Ball and Stem ,PTFE (or RPTFE) Ball Seats
- ◆ Full port for the size up to 1-1/2" ,Reduced port for 2"
- ◆ Lockable Lever Handle

Part#	Part Name	Material
1	Body	316 S.S
2	Ball	316 S.S
3	Cap	316 S.S
4	Seat	RTFE
5	Gasket	RTFE
6	Washer	RTFE
7	Packing	RTFE
8	Gland	304 S.S
9	Stem	316 S.S
10	Washer	304 S.S
11	Nut	304 S.S





Intech Industries Manufacturing Co.,Ltd

12	Device	304 S.S
13	Handle	201S.S
14	Grip	X

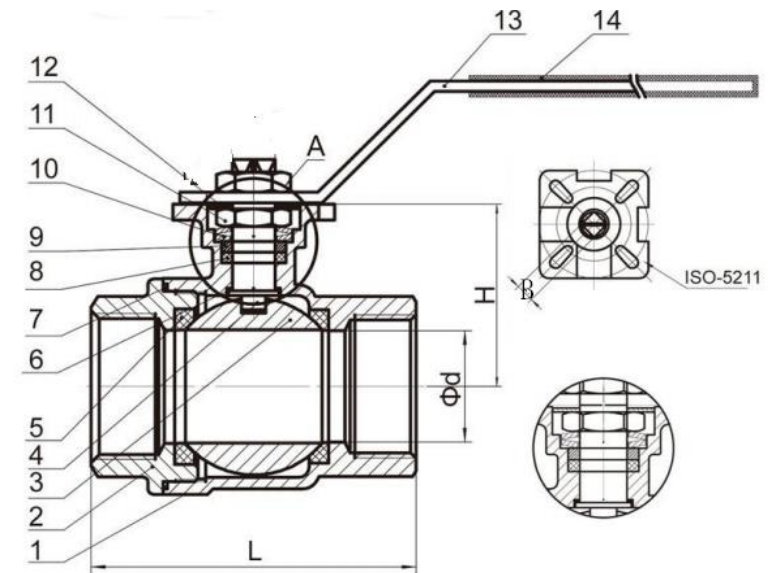
In : Inch (mm)

Item #	Size	d		L		H		W	
		Inch	mm	Inch	mm	Inch	mm	Inch	mm
SSV-25	1/4"	0.42	10.67	2.36	59.94	1.88	47.75	3.94	100.08
SSV-33	3/8"	0.49	12.45	2.36	59.94	1.88	47.75	3.94	100.08
SSV-50	1/2"	0.59	14.99	2.95	74.93	2.28	57.91	4.72	119.89
SSV-75	3/4"	0.79	20.07	3.14	79.76	2.36	59.94	5.51	139.95
SSV-100	1"	0.98	24.89	3.54	89.92	3.03	76.96	5.90	149.86
SSV-125	1-1/4"	1.26	32.00	4.33	109.98	3.11	78.99	6.49	164.85
SSV-150	1-1/2"	1.50	38.10	4.72	119.89	3.62	91.95	7.67	194.82
SSV-200	2"	1.88	47.75	5.51	139.95	4.13	104.90	7.67	194.82

1.2.4 2PC S.S.316 Ball Valve With ISO5211 Mounting Pad

- ◆ Working pressure: 1000PSI WOG
- ◆ Temperature range : -20°F to +450°F (-30°C to 230°C)
- ◆ Full Port
- ◆ Stainless steel body ,caps ,stem and handle,PTFE Seats
- ◆ Lever handle

Part #	Part Name	Material
1	Body	316 S.S.
2	Cap	316 S.S.
3	Ball	316 S.S.
4	Stem	316 S.S.
5	Ball Seat	RPTFE
6	Thrust Washer	PTFE
7	Joint Gasket	PTFE
8	Stem Packing	PTFE
9	Gland Ring	304 S.S
10	Spring Washer	304 S.S
11	Stem Nut	304 S.S





Intech Industries Manufacturing Co.,Ltd

12	Against Pine Pad	304 S.S
13	Handle	304 S.S
14	Handle Cover	PVC

In:inch(mm)

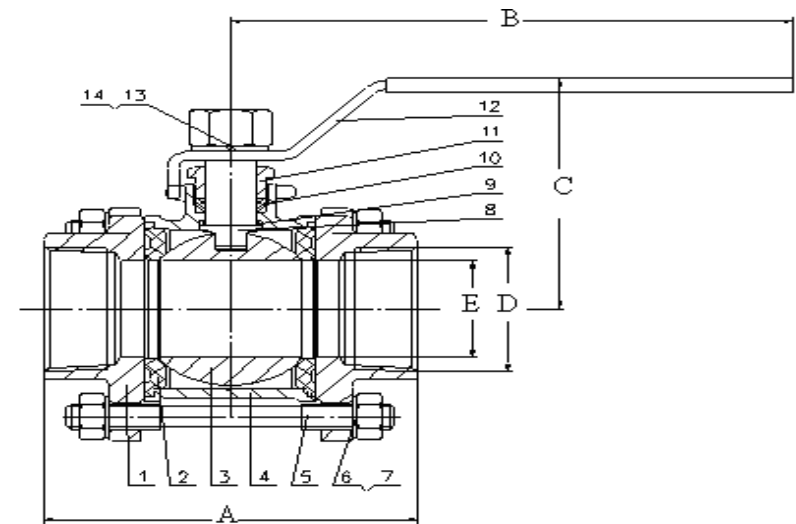
Item#	Size	d	L	H	B
ISOSBV-50	1/2"	0.59/14.99	2.28/57.91	1.49/37.85	0.35/8.89
ISOSBV-75	3/4"	0.79/20.07	2.56/65.02	1.67/42.42	0.35/8.89
ISOSBV-100	1"	0.98/24.89	3.03/76.96	1.77/44.96	0.43/10.92
ISOSBV-125	1-1/4"	1.26/32.00	3.54/89.92	2.03/51.66	0.43/10.92
ISOSBV-150	1-1/2"	1.49/37.85	3.86/98.04	2.34/59.44	0.55/13.97
ISOSBV-200	2"	1.97/50.04	4.26/108.20	2.67/67.82	0.55/13.97

1.2.5 3PC Stainless Steel Ball Valve

- ◆ Working Pressure: 1000PSI
- ◆ Temperature Range: -20°F to 425°F (-30°C to 220°C)
- ◆ Suitable for Vacuum Service Up to 29.9"Hg
- ◆ 3 Piece 316 Stainless Steel Construction
- ◆ Full Port
- ◆ PTFE Seats and Seals
- ◆ Blow Out Proof Stem



Part #	Part Name	Material
1	Cap	Stainless Steel
2	Cap Seal	PTFE
3	Ball	Stainless Steel
4	Body	Stainless Steel
5	Bolt	Stainless Steel
6	Washer	Carbon Steel
7	Nut	Stainless Steel
8	Stem	Stainless Steel
9	Bottom Seal	PTFE
10	Packing	PTFE





Intech Industries Manufacturing Co.,Ltd

11	Gland	Stainless Steel
12	Handle	Stainless Steel
13	Washer	Stainless Steel
14	Nut	Stainless Steel

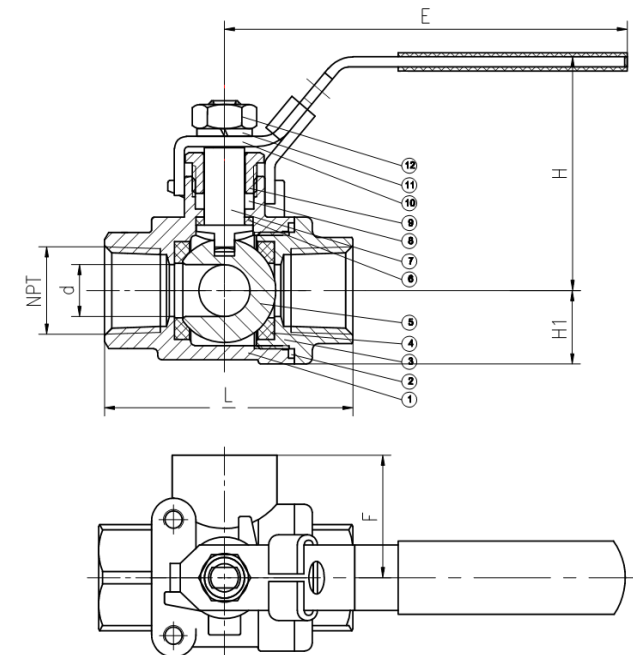
In:Inch(mm)

Item #	Size (D)	A		B		C		E	
		Inch	mm	Inch	mm	Inch	mm	Inch	mm
SS3P-25	1/4"	2.55	64.77	3.54	89.92	1.88	47.75	0.39	9.91
SS3P-33	3/8"	2.55	64.77	3.54	89.92	1.88	47.75	0.47	11.94
SS3P-50	1/2"	2.75	69.85	3.93	99.82	2.16	54.86	0.59	14.99
SS3P-75	3/4"	3.14	79.76	4.72	119.89	2.36	59.94	0.78	19.81
SS3P-100	1"	3.54	89.92	5.51	139.95	2.75	69.85	0.98	24.89
SS3P-125	1-1/4"	4.33	109.98	5.51	139.95	3.22	81.79	1.25	31.75
SS3P-150	1-1/2"	4.72	119.89	7.08	179.83	7.08	179.83	1.49	37.85
SS3P-200	2"	5.70	144.78	7.87	199.90	4.13	104.90	1.96	49.78

1.2.6 3-Way Stainless Steel Ball Valve ,Lockable L Port

- ◆Working pressure:1000PSI WOG
- ◆Temperature range : -20° to +450° F (-30 ° to +230 °C)
- ◆1/4" to 1/2" are full port. The sizes of 3/4" to 2" are standard port
- ◆316 Stainless Steel Body ,Cap ,Stem and Ball .RPTFE Ball Seats
- ◆Lockable Lever Handle

Part #	Part Name	Material
1	Body	316 S.S.
2	Gasket	PTFE
3	Cap	316 S.S.
4	Seat	RPTFE
5	Ball	316 S.S.
6	Washer	PTFE
7	Stem	316 S.S.
8	Packing	PTFE
9	Gland Bush	304 S.S.
10	Handle	Steel with PVC Grip





Intech Industries Manufacturing Co.,Ltd

11	Washer	Steel
12	Nut	Steel

In: Inch (mm)

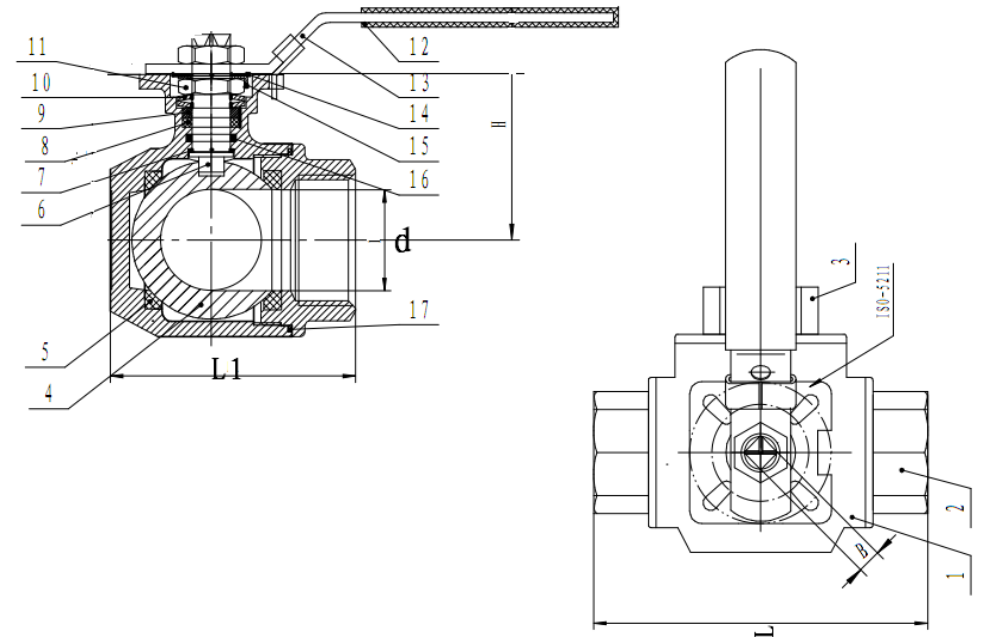
Item #	Size	H	H1	E	D	F	L
32H987-33	3/8"	1.77 (45.0)	0.57 (14.5)	3.93 (99.8)	0.37 (9.4)	1.18 (30.0)	2.32 (58.9)
32H988-50	1/2"	2.28 (57.9)	0.7 (17.8)	3.93 (99.8)	0.5 (12.7)	1.18 (30.0)	2.32 (58.9)
32H989-75	3/4"	2.36 (59.9)	0.84 (21.3)	5.11 (129.8)	0.68 (17.3)	1.5 (38.1)	2.99 (75.9)
32H990-100	1"	3.03 (77.0)	0.98 (24.9)	6.49 (164.8)	0.8 (20.3)	1.68 (42.7)	3.22 (81.8)
32H991-125	1-1/4"	3.11 (79.0)	1.14 (29.0)	6.49 (164.8)	0.98 (24.9)	1.96 (49.8)	4.01 (101.9)
32H992-150	1-1/2"	3.62 (91.9)	1.31 (33.3)	7.48 (190.0)	1.25 (31.8)	2.4 (61.0)	4.4 (111.8)
32H993-200	2"	4.1 (104.9)	1.57 (39.9)	7.48 (190.0)	1.5 (38.1)	2.81 (71.4)	5.43 (137.9)



1.2.7 3 Way S.S.316 Ball Valve With ISO5211 Mounting Pad

- ◆ Working pressure: 1000PSI WOG
- ◆ Temperature range : -20° to +450° F (-30 ° to +230 °C)
- ◆ 4 Seats design allows optional L bore or T bore
- ◆ Reduced Port
- ◆ Stainless Steel 4 Seats 3 Way Ball Valve

Part #	Part Name	Material
1	Body	S.S.316
2	Cap(1)	S.S.316
3	Cap(2)	S.S.316
4	Ball	S.S.316
5	Ball Seat	RPTFE
6	Stem	S.S.316
7	Thust Washer	PTFE
8	Stem Packing	PTFE
9	Gland Nut	S.S.304
10	Spring Washer	S.S.304
11	Nut	S.S.304
12	Handle Cover	PVC
13	Handle	S.S.304





Intech Industries Manufacturing Co.,Ltd

14	Washer	S.S.304
15	Thrust Washer	S.S.304
16	O-ring	Viton
17	Joint Gasket	PTFE

In:inch(mm)

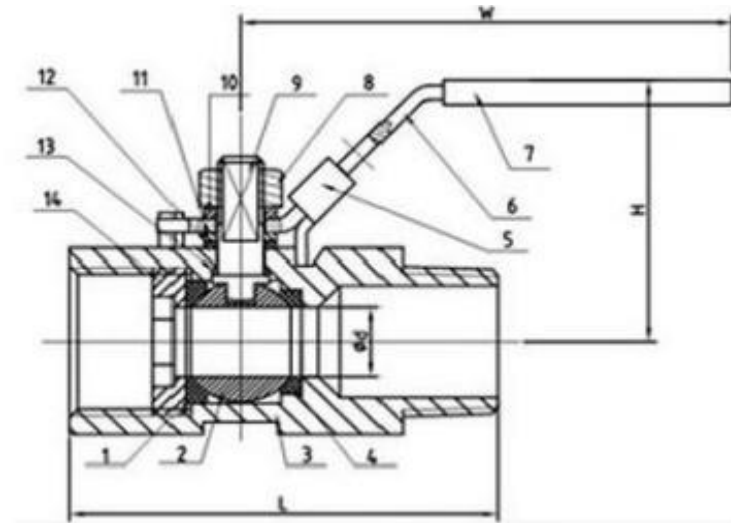
Item#	Size	d	L	H	B	L1
ISOSTW-50	1/2"	0.49/12.45	3.11/78.99	1.65/41.91	0.35/8.89	2.52/64.01
ISOSTW-75	3/4"	0.63/16.00	3.27/83.06	1.93/49.02	0.35/8.89	2.67/67.82
ISOSTW-100	1"	0.79/20.07	4.09/103.89	2.34/59.44	0.43/10.92	3.23/82.04
ISOSTW-125	1-1/4"	0.98/24.89	4.37/111.00	2.48/62.99	0.43/10.92	3.54/89.92
ISOSTW-150	1-1/2"	1.26/32.00	4.96/125.98	2.89/73.41	0.55/13.97	4.17/105.92
ISOSTW-200	2"	1.49/37.85	5.79/147.07	3.26/82.80	0.55/13.97	4.84/122.94



1.2.8 1PC Male x Female Stainless Steel Valve

- ◆Working pressure:1000PSI
- ◆Temperature Range:-22°F to 428°F(-30°C to 220°C)
- ◆Suitable medium:W.O.G
- ◆Threaded end:BSPT、NPT、DIN2999

Part#	Part Name	Material
1	Ball Seat(A)	PTFE
2	Ball	CF8/CF8M 304/316 S.S
3	Body	CF8/CF8M 304/316 S.S
4	Ball Seat(B)	PTFE
5	Lock Device	304 S.S
6	Handle	304 S.S
7	Handle Sleeve	Plastic
8	Stem Nut	304/316 S.S
9	Stem	304 S.S
10	Stem Washer	304 S.S
11	Washer	304 S.S
12	Stem Packing	PTFE





Intech Industries Manufacturing Co.,Ltd

13	Gasket	PTFE
14	Plug	CF8/CF8M 304/316 S.S

In:Inch(mm)

Size	d	W	H	L	weight(lb/g)
1/4	0.20"(5.0)	3.03"(77)	1.54"(39)	1.97"(50)	0.22(100)
3/8	0.28"(7.0)	3.03"(77)	1.54"(39)	2.19"(55.5)	0.29(130)
1/2	0.36"(9.2)	3.46"(88)	1.73"(44)	2.81"(71.5)	0.48(220)
3/4	0.49"(12.5)	3.46"(88)	1.89"(48)	2.91"(74)	0.73(330)

1.2.9 1PC Body Stainless Steel Ball Valve

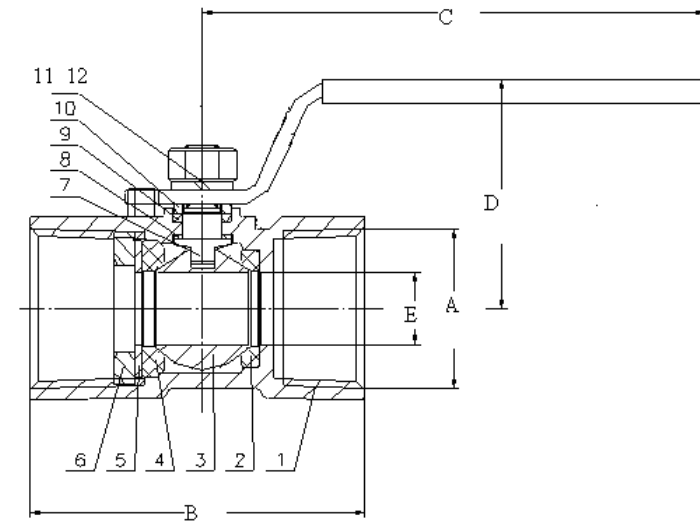
- ◆Working pressure: 1000PSI WOG,150PSI WSP
- ◆Temperature Range: -20°F to 425°F (-30° to 220°C)

Professional & One-Stop Service
-Manufacturing -Customerized -Sourcing&Trading -Stocking



- ◆ Female x Female Ends
- ◆ Vacuum Rating:28" Hg
- ◆ Lever Handle , Standard Port

Part #	Part Name	Material
1	Body	Stainless Steel
2	Ball Seat	PTFE
3	Ball	Stainless Steel
4	Ball Seat	PTFE
5	Washer	Stainless Steel
6	Retainer Nut	Stainless Steel
7	Stem	Stainless Steel
8	Bottom Seal	PTFE
9	Up Seal	PTFE
10	Gland	Stainless Steel
11	Handle	Stainless Steel
12	Nut & Washer	Stainless Steel



In:Inch(mm)

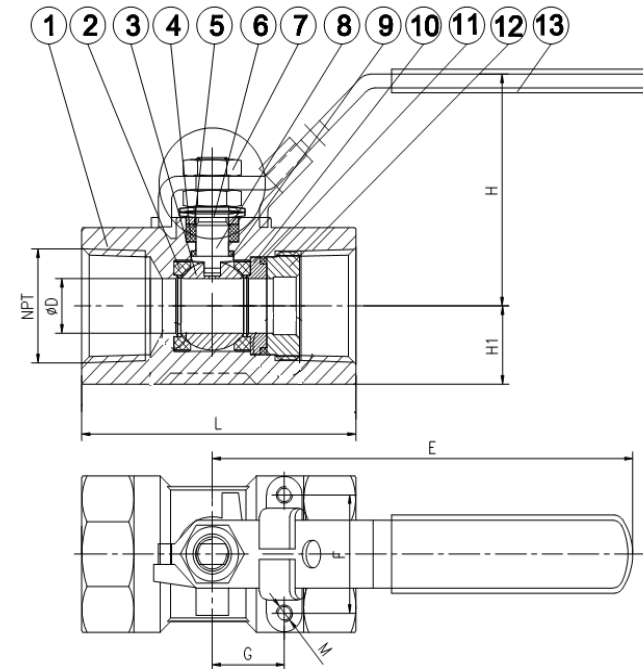
Item #	Size (A)	B		C		D		E	
		Inch	mm	Inch	mm	Inch	mm	Inch	mm
SS1P-25	1/4"	1.57	39.88	2.75	69.85	1.33	33.78	0.19	4.83
SS1P-33	3/8"	1.77	44.96	2.75	69.85	1.41	35.81	0.27	6.86
SS1P-50	1/2"	2.16	54.86	3.54	89.92	1.53	38.86	0.35	8.89
SS1P-75	3/4"	2.36	59.94	3.54	89.92	1.69	42.93	0.47	11.94
SS1P-100	1"	2.75	69.85	4.13	104.90	1.81	45.97	0.59	14.99
SS1P-125	1 1/4"	3.14	79.76	4.72	119.89	2.08	52.83	0.78	19.81
SS1P-150	1 1/2"	3.38	85.85	5.10	129.54	2.32	58.93	0.98	24.89
SS1P-200	2"	4.00	101.60	5.50	139.70	2.55	64.77	1.25	31.75

1.2.10 Unibody Fire-Safe Stainless Steel Ball Valve

- ◆ Working pressure: 2000PSI WOG
- ◆ Temperature Range :-20° to +450° F (-30° to 230°C)
- ◆ Full port for 1/4" , Standard Port for 3/8" to 1/2" ,Reduced port for 3/4" to 2" , RPTFE Seats, Female NPT

◆Lever Handle

Part #	Part Name	Material 材质
1	Body	316 S.S
2	Ball Seat	RPTFE
3	Ball	316 S.S
4	Packing	Graphite
5	Gland Bush	304 S.S
6	Washer	Carbon Steel
7	Nut	Carbon Steel
8	Stem	316 S.S
9	Thrusht Washer	RPTFE
10	Seat	316 S.S
11	Joint Gasket	Graphite
12	Retainer	316 S.S
13	Handle	Steel with PVC Grip

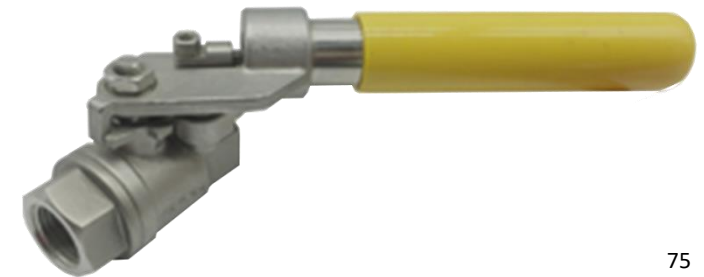


In:Inch(mm)

Item#	Size	L		H		H1		D		E		M
		Inch	mm	Inch	mm	Inch	mm	Inch	mm	Inch	mm	
32H979	1/4"	2.32	58.93	1.73	43.94	0.53	13.46	0.36	9.14	4.37	111.00	10-24UNS
32H980	3/8"	2.32	58.93	1.73	43.94	0.53	13.46	0.36	9.14	4.37	111.00	10-24UNS
32H981	1/2"	2.63	66.80	1.73	43.94	0.53	13.46	0.36	9.14	4.37	111.00	10-24UNS
32H982	3/4"	2.79	70.87	1.87	47.50	0.66	16.76	0.49	12.45	4.37	111.00	10-24UNS
32H983	1"	3.34	84.84	2.36	59.94	0.80	20.32	0.62	15.75	5.57	141.48	10-24UNS
32H984	1-1/4"	3.70	93.98	2.55	64.77	0.98	24.89	0.78	19.81	5.57	141.48	10-24UNS
32H985	1-1/2"	3.93	99.82	2.79	70.87	1.12	28.45	0.96	24.38	6.35	161.29	1/4-20UNS
32H986	2"	4.64	117.86	3.01	76.45	1.37	34.80	1.25	31.75	6.35	161.29	1/4-20UNS

1.2.11 Deadman Handle Stainless Steel Ball Valve

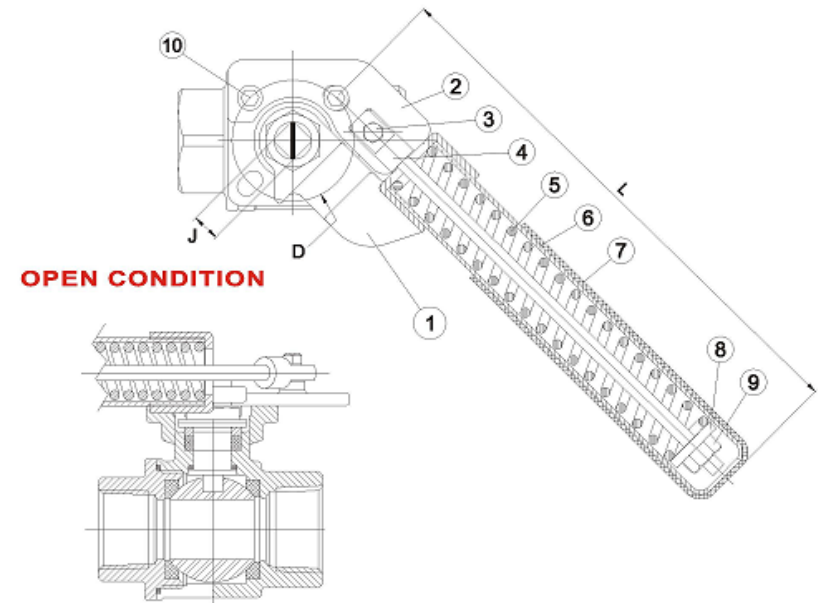
- ◆ Working pressure: 2000 PSI WOG (up to 1"); 1500 PSI WOG (1-1/4" and up). 150 PSI WSP
- ◆ Temperature Range: -4° to 450° F (-20° to 230°C)
- ◆ 2-PC, Standard port
- ◆ RPTFE Seats
- ◆ Lever Handle



Professional & One-Stop Service
-Manufacturing -Customerized -Sourcing&Trading -Stocking

- ◆Meet ASTM351
- ◆Uses:Hydraulics,vacuum(29"Hg),chemicals,oil,gas,and low-pressure steam in corrosive environments

Part#	Part Name	Materials
1	Handle head	CF8 304 S.S
2	Anchor	CF8M 316 S.S
3	Anchor screw	SS 316 316S.S
4	Spring rod	SS 316
5	Spring	SS 301
6	Handle extension	SS 304
7	Sleeve	PVC
8	Washer	304 S.S
9	Hex nut	304 S.S
10	Socket head screw	304 S.S



In:Inch(mm)

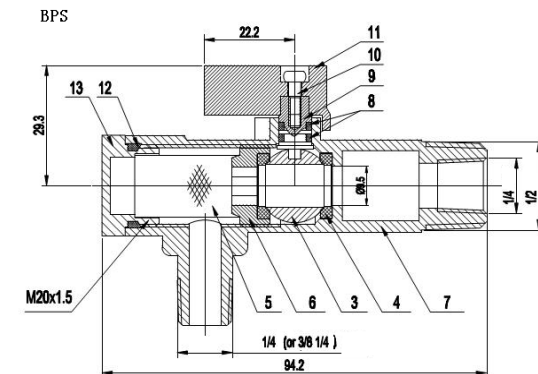
Size	L	J	D(ISO5211)
1/4"-3/4"	6.69/170	0.35/9	F03/F04
1"& 1-1/4"	8.66/220	0.43/11	F04
1-1/2"&2"	11.02/280	0.55/14	F05

1.2.12 Stainless Steel Ball Valve Strainer Combo-- Heavier Duty

- ◆Working pressure: 600PSI,1200PSI
- ◆Temperature Range: -20°F to 425°F (-30°to 220°C)
- ◆Heavy Duty ,Stainless Steel Body
- ◆Zinc alloy or plastic handle

Part #	Part Name	Material 材质
1	Clean Valve Cap	Stainless Steel
2	Clean Valve Body	Stainless Steel

Professional & One-Stop Service
-Manufacturing -Customerized -Sourcing&Trading -Stocking





Intech Industries Manufacturing Co.,Ltd

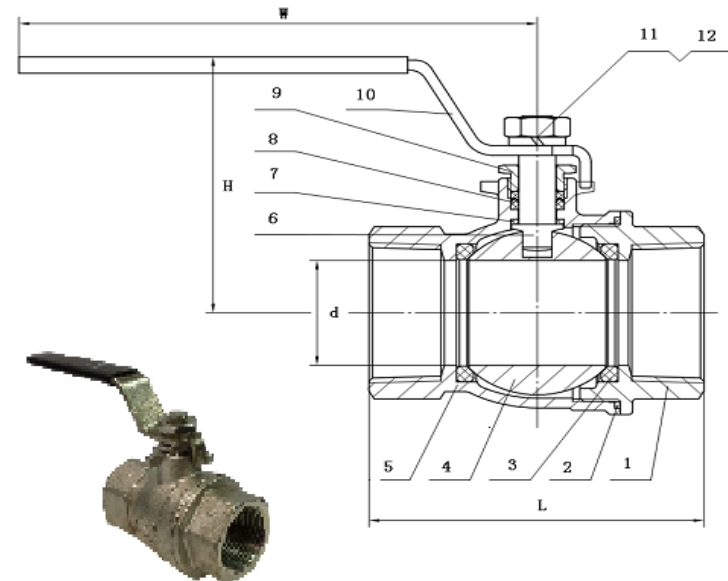
3	Balls	Cr.Brass
4	Ball Seats	PTFE
5	Screen	Stainless Steel
6	Retainer Nut	Stainless Steel
7	Strainer Body	Stainless Steel
8	Stem seals	Rubber
9	Stems	Stainless Steel
10	Handle Screw	Steel
11	Handles	Zinc Cast
12	Connection Seal	Rubber
13	Strainer Cap	Stainless Steel

Item #	Inlet	Outlet
9003-SS-600PSI	1/2 M x1/4F NPT	1/4" Male
9003-SS-1200PSI		1/4" Male
9001-SS-600PSI		3/8" Male
9001-SS-1200PSI		3/8" Male
9008-SS-600PSI		1/2" Male
9008-SS-1200PSI		1/2" Male

1.2.13 600PSI Stainless Steel ball valve w/Lockable lever handle

- ◆ Working pressure: 600 PSI WOG
- ◆ Temperature Range :-20° to +450° F (-30° to 230°C)
- ◆ 2PC Body 316 Stainless Steel Ball Valve
- ◆ 316 Stainless Steel Body ,Cap ,Ball and Stem ,PTFE (or RPTFE) Ball Seats
- ◆ Up to 2" ,Full Port
- ◆ Lever Handle

Part #	Part Name	Material
1	Cap	316 S.S.
2	Gasket	PTFE
3	Ball Seats	PTFE
4	Ball	316 S.S.
5	Body	316 S.S.
6	Stem	316 S.S.
7	Stem Washer	PTFE
8	Packing	PTFE
9	Gland	304 S.S.





Intech Industries Manufacturing Co.,Ltd

10	Handle	304 S.S.
11	Spring Washer	304 S.S.
12	Nut	304 S.S.

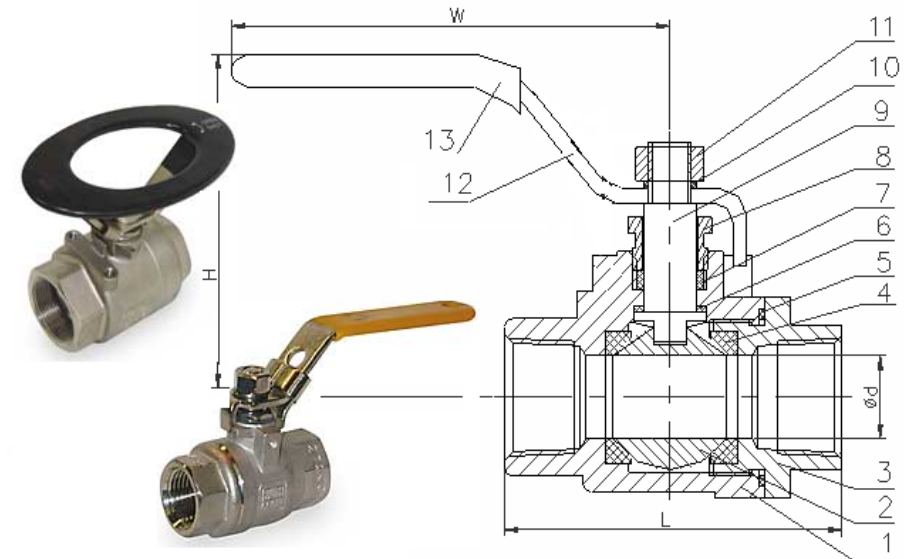
In: Inch (mm)

Item #	Size	d		L		H		W	
		Inch	mm	Inch	mm	Inch	mm	Inch	mm
LDSSR-50	1/2"	0.59"	15	2.24"	57	2"	51	3.74"	95
LDSSR-75	3/4"	0.78"	20	2.53"	64.5	2.24"	57	4.13"	105
LDSSR-100	1"	0.98"	25	3.11"	79	2.75"	70	4.72"	120
LDSSR-125	1 1/4"	1.25"	30	3.56"	90.5	3.07"	78	5.51"	140
LDSSR-150	1 1/2"	1.49"	38	3.85"	98	3.34"	85	5.7"	145
LDSSR-200	2"	1.92"	49	4.58"	116.5	4.05"	103	6.69"	170

1.2.14 1000PSI Stainless Steel ball valve w/Lockable lever handle ,or Oval Handle

- ◆ Working pressure: 1000 PSI WOG
- ◆ Temperature Range :-20° to +450° F (-30° to 230°C)
- ◆ 2PC Body 316 Stainless Steel Ball Valve
- ◆ 316 Stainless Steel Body ,Cap ,Ball and Stem ,PTFE (or RPTFE) Ball Seats
- ◆ Up to 4" ,Full port
- ◆ Lockable Lever or Round Handle

Part#	Part Name	Material
1	Body	316 S.S.
2	Ball	316 S.S.
3	Cap	316 S.S.
4	Seat	PTFE
5	Gasket	PTFE
6	Washer	PTFE
7	Packing	PTFE
8	Gland	S.S.304
9	Stem	316 S.S.





Intech Industries Manufacturing Co.,Ltd

10	Washer	S.S.304
11	Nut	S.S.304
12	Handle	S.S.304
13	Grip	PVC

In:Inch(mm)

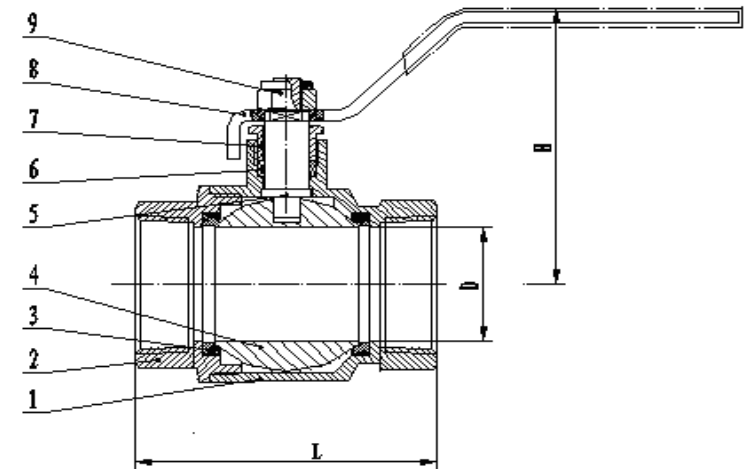
Item #	Size	d		L		H		W	
		Inch	mm	Inch	mm	Inch	mm	Inch	mm
SSR-25	1/4"	0.46	11.68	2.08	52.83	2.12	53.85	3.94	100.08
SSR-33	3/8"	0.49	12.45	2.08	52.83	2.12	53.85	3.94	100.08
SSR-50	1/2"	0.59	14.99	2.48	62.99	2.40	60.96	4.33	109.98
SSR-75	3/4"	0.79	20.07	2.91	73.91	2.63	66.80	4.72	119.89
SSR-100	1"	0.98	24.89	3.38	85.85	2.95	74.93	5.91	150.11
SSR-125	1-1/4"	1.26	32.00	3.97	100.84	3.26	82.80	5.91	150.11
SSR-150	1-1/2"	1.50	38.10	4.21	106.93	3.38	85.85	7.09	180.09
SSR-200	2"	1.97	50.04	4.84	122.94	3.86	98.04	7.09	180.09
SSR-300	3"	3.15	80.01	7.44	188.98	5.08	129.03	9.45	240.03
SSR-400	4"	3.94	100.08	8.58	217.93	6.14	155.96	11.81	299.97

1.3 Bronze Ball Valve

1.3.1 Bronze Ball Valve

- ◆ Working Pressure: 600PSI
- ◆ WSP Rating: 150PSI
- ◆ Temperature Range: -20° to +365° F (-30 ° to +185 °C)
- ◆ Casting Bronze Body and Cap
- ◆ Suitable for Vacuum Service 29" Hg
- ◆ Construction: Casting Bronze Body and Cap, Cr.plated brass ball ,Brass Stem
- ◆ Port Style :Full port up to 1" , Standard Port for 1-1/4" to 2" .
- ◆ Sealing : PTFE ball seats and Stem sealing
- ◆ Steel Handle with Vinyl Grip
- ◆ Female x Female Connection

Part#	Part Name	Material
1	Body	Bronze
2	Cap	Bronze
3	Seat	PTFE
4	Ball	Brass Cr.plated
5	Stem	Brass





Intech Industries Manufacturing Co.,Ltd

6	Stem Packing	PTFE
7	Gland	Brass
8	Handle	Steel
9	Nut	Steel

In: Inch(mm)

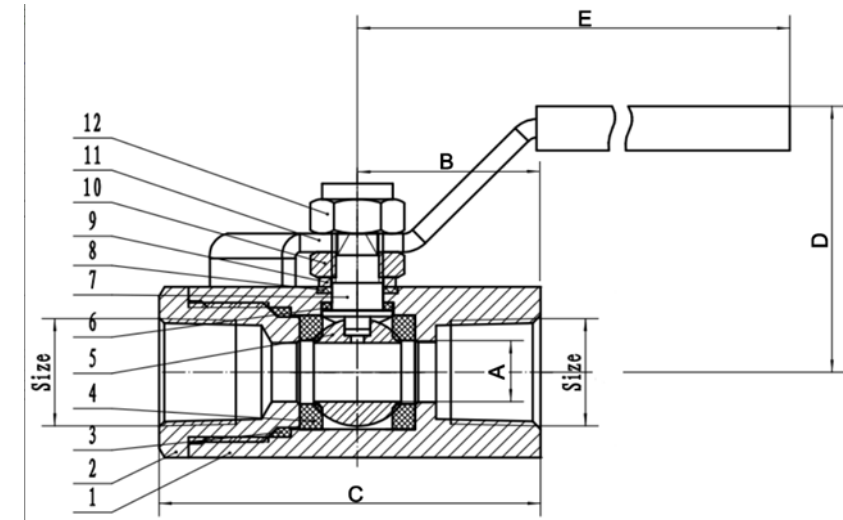
Item #	Size		L		D		H	
	Inch	mm	Inch	mm	Inch	mm	Inch	mm
BZV25	1/4"	6.35	1.70	43.18	0.31	7.87	1.77	44.96
BZV33	3/8"	9.525	1.80	45.72	0.39	9.91	1.77	44.96
BZV50	1/2"	12.7	2.10	53.34	0.51	12.95	1.88	47.75
BZV75	3/4"	19.05	2.50	63.50	0.74	18.80	2.16	54.86
BZV100	1"	25.4	2.95	74.93	0.98	24.89	2.55	64.77
BZV120	1-1/4"	31.75	3.42	86.87	1.25	31.75	2.99	75.95
BZV150	1-1/2"	38.1	3.70	93.98	1.57	39.88	3.77	95.76
BZV200	2"	50.8	4.33	109.98	1.88	47.75	3.77	95.76

1.4 Carbon Steel Ball Valve

1.4.1 Hex Body Carbon Steel Ball Valve

- ◆ Working pressure: 2000PSI from 1/4" to 1" , 1500PSI from 1-1/4" to 2"
- ◆ Temperature Range: -20° to 425°F (-30 ° to +220 °C)
- ◆ 1/4" & 3/8" -- Full Port, 2pc body design.
- ◆ 1/2" to 2" -- Reduced Port , 1pc body design .
- ◆ Hex Bar Body
- ◆ Stainless Steel Ball and Blow Out Proof Stem
- ◆ RPTFE Seats and Seals
- ◆ Lever Handle

Part #	Part Name	Material
1	Body	Carbon Steel
2	Valve Cap	Carbon Steel
3	Ball Seat	RPTFE
4	Seal	RPTFE
5	Ball	Stainless Steel
6	Seal	RPTFE
7	Stem	Stainless Steel
8	Seal	RPTFE





Intech Industries Manufacturing Co.,Ltd

9	Retainer Washer	Stainless Steel
10	Nut	Stainless Steel
11	Handle	Stainless Steel
12	Retainer Nut	Stainless Steel

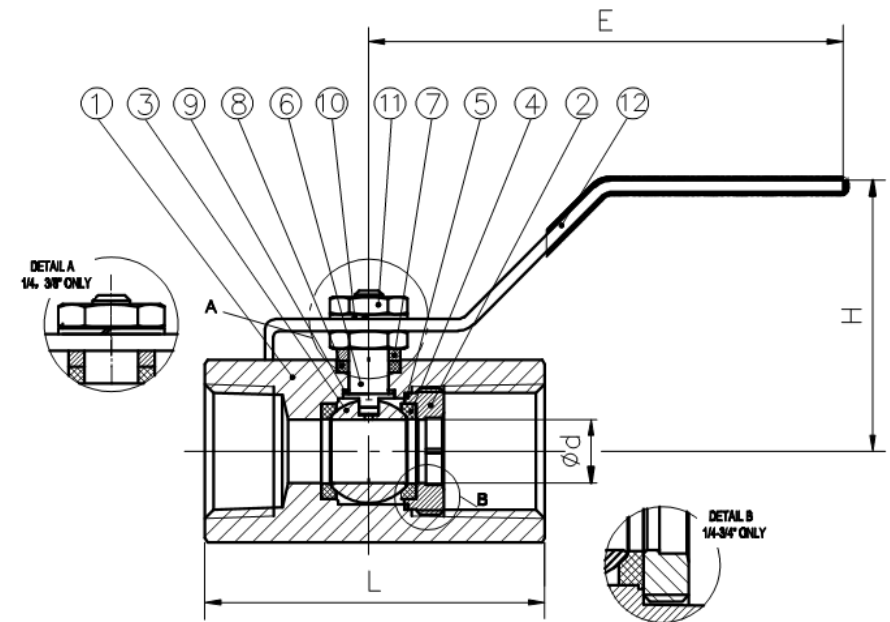
In:Inch(mm)

Item #	Size	A		B		C		D		E	
		Inch	mm	Inch	mm	Inch	mm	Inch	mm	Inch	mm
CSV-25	1/4"	0.37	9.40	1.18	29.97	2.36	59.94	1.63	41.40	4.02	102.11
CSV-33	3/8"	0.37	9.40	1.18	29.97	2.36	59.94	1.63	41.40	4.02	102.11
CSV-50	1/2"	0.37	9.40	1.18	29.97	2.36	59.94	2.07	52.58	4.54	115.32
CSV-75	3/4"	0.49	12.45	1.32	33.53	2.64	67.06	2.36	59.94	4.54	115.32
CSV-100	1"	0.66	16.76	1.44	36.58	2.87	72.90	2.52	64.01	5.31	134.87

1.4.2 2000PSI 1PC Hex Body Carbon Steel Ball Valve

- ◆ Working pressure: 2000PSI
- ◆ Temperature Range: -20°to 425°F(-30°to +220 °C)
- ◆ 1pc Hex Carbon Steel Ball Valve
- ◆ Reduced port design ,Design comply with ASME B.16.34 .
- ◆ Material comply with NACE NR0175 .Testing Comply with API598
- ◆ Lever handle

Part #	Part Name	Material
1	Body	C.S.,A105
2	Seat Retainer	C.S.,A105
3	Ball	304 S.S.
4	Ball Seat	RPTFE
5	Gasket	PTFE
6	Stem	304 S.S.
7	Gland	304 S.S.
8	Packing	PTFE
9	Thrust Washer	PTFE





Intech Industries Manufacturing Co.,Ltd

10	Spring Washer	304 S.S.
11	Nut	304 S.S.
12	Handle	201 S.S.

In:Inch(mm)

Item #	Size	A		B		C		D		E	
		Inch	mm	Inch	mm	Inch	mm	Inch	mm	Inch	mm
HDCSV-25	1/4"	2.36	59.94	3.74	95.00	1.63	41.40	1.06	26.92	0.41	10.41
HDCSV-33	3/8"	2.36	59.94	3.74	95.00	1.63	41.40	1.06	26.92	0.41	10.41
HDCSV-50	1/2"	2.36	59.94	3.74	95.00	1.63	41.40	1.18	29.97	0.41	10.41
HDCSV-75	3/4"	2.63	66.80	3.74	95.00	2.63	66.80	1.41	35.81	0.49	12.45
HDCSV-100	1"	2.87	72.90	4.33	109.98	2.87	72.90	1.61	40.89	0.66	16.76
HDCSV-125	1-1/4"	3.54	89.92	5.31	134.87	3.54	89.92	1.96	49.78	0.86	21.84

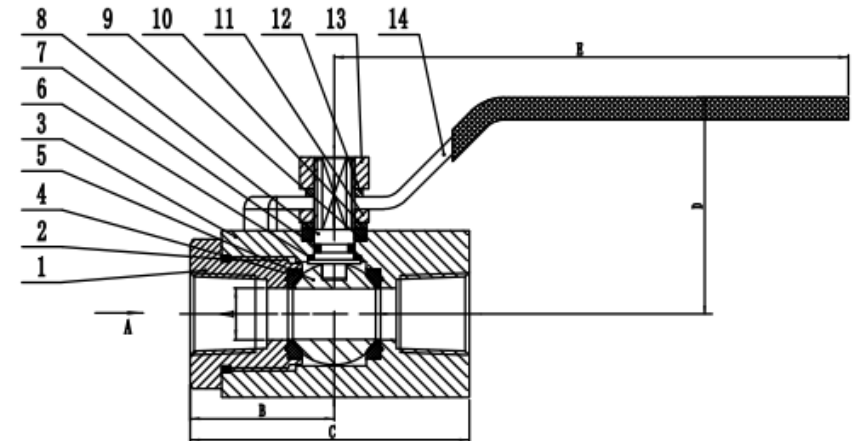
HDCSV-150	1-1/2"	3.81	96.77	5.31	134.87	3.81	96.77	2.36	59.94	0.98	24.89
HDCSV-200	2"	4.37	111.00	5.31	134.87	4.37	111.00	2.75	69.85	1.25	31.75

1.4.3 Medium Pressure Carbon Steel Ball Valve

- ◆ Working pressure: 3000 PSI (WOG) , 150 PSI WSP
- ◆ Temperature Range: -20° to 425°F (-30° to +220°C)
- ◆ 2PC Full Port Design , Blow out proof brass stem
- ◆ Lever handle



Part #	Part Name	Material
1	Body	Carbon Steel ,Zinc Phosphate Coat
2	Stem	Steel, Nickle plated
3	Stem Seal	Carbon/Graphite Filled PTFE
4	O-Ring (for 1/2" to 1" only)	NBR
5	Stem Seal	Carbon/Graphite Filled PTFE
6	Follower	Stainless Steel





Intech Industries Manufacturing Co.,Ltd

7	Washer	Steel,Zinc Plated
8	Nut	Stainless Steel
9	Ball Seat	Carbon/Graphite Filled PTFE
10	Ball	Carbon Steel ,Chrome Plated
11	O-Ring	NBR
12	Cap	Carbon Steel ,Zinc Phosphate Coat
13	Spring Washer	Steel,Zinc Plated

In:Inch(mm)

Item #	Size	A		B		C		D		E	
		Inch	mm	Inch	mm	Inch	mm	Inch	mm	Inch	mm
32H960	1/4"-F×F	0.39	9.91	1.00	25.40	2.00	50.80	1.69	42.93	3.78	96.01
32H961	3/8"-F×F	0.39	9.91	1.00	25.40	2.00	50.80	1.69	42.93	3.78	96.01
32H962	1/2"-F×F	0.50	12.70	1.40	35.56	2.72	69.09	2.10	53.34	5.00	127.00

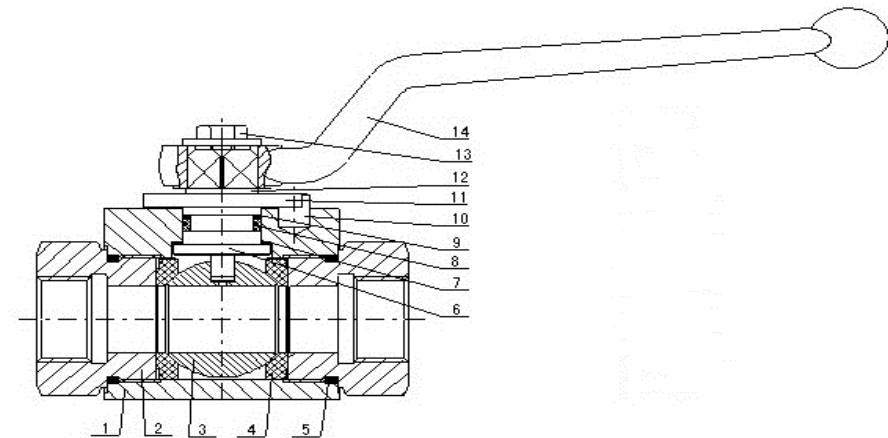


32H963	3/4"-F×F	0.75	19.05	1.83	46.48	3.49	88.65	2.30	58.42	5.00	46.48
32H964	1"-F×F	0.98	24.89	1.88	47.75	3.94	100.08	2.67	67.82	5.00	127.00

1.4.4 Three-Piece High Pressure Carbon Steel Ball Valve

- ◆Working Pressure: (1/4" to 3/8") 7000PSI / (1/2") 5800PSI / (3/4" and up) 4600PSI
- ◆Temperature Range: -20°to +175°F (-30°C to +80°C)
- ◆3PC Full Port Design ,Blow out proof stem
- ◆Lever handle

Part #	Part Name	Material
1	Body	Carbon Steel ,Zinc Phosphate Coat
2	Cap	Carbon Steel ,Zinc Phosphate Coat
3	Ball	Chrome plated Steel
4	Ball Seat	POM
5	Cap Seal	NBR O-Ring
6	Stem	Steel, Zinc Plated
7	Thrust Ring	ABS





8	O-Ring	NBR
9	Washer	Steel, Zinc Plated
10	Stop Pin	Steel, Zinc Plated
11	Stop Plate	Steel, Zinc Plated
12	Spring Washer	Steel, Zinc Plated
13	Blot	Steel, Zinc Plated
14	Handle	Zinc Die casting ,Zinc Plated

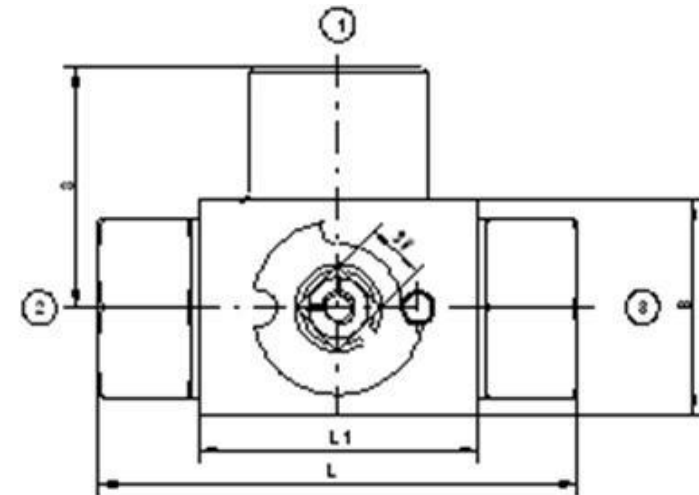
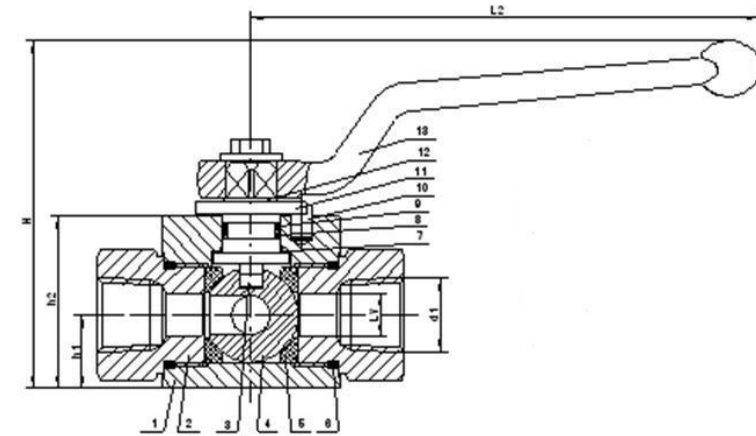
In:Inch(mm)

Item #	Size (d1)	LW		L2		L		B		H		H1		H2	
		Inch	mm	Inch	mm	Inch	mm	Inch	mm	Inch	mm	Inch	mm	Inch	mm
32H965	3/8"	0.39	10	4.72	120	2.83	72	1.26	32	3.23	82	0.67	17	0.39	10
32H966	1/2"	0.51	13	4.72	120	3.27	83	1.38	35	3.23	82	0.67	17	1.57	40
32H967	3/4"	0.79	20	6.69	170	3.74	95	1.89	48	4.61	117	0.94	24	2.24	57
32H968	1"	0.98	25	6.69	170	4.45	113	2.24	57	4.92	125	1.12	29	2.52	64

1.4.5 3 Way Carbon Steel Ball Valve

- ◆Max Working pressure:4600 PSI
- ◆Temperature Range: -4° to 212°F (-20 ° to +100 °C)
- ◆Material:carbon steel,zinc plated surface

Part#	Part Name	Material
1	Body	45 Steel
2	Fittings	45 Steel
3	Stem	45 Steel
4	Ball	45 Steel or 304 S.S
5	Ball seat	POM
6	O-ring	NBR
7	Washer	POM
8	O-ring	NBR
9	Lock washers	PTFE
10	Round pin	45 Steel





Intech Industries Manufacturing Co.,Ltd

11	Locking plate	A3 Steel
12	Lock washers	Carbon Steel
13	Handle	Zinc plated

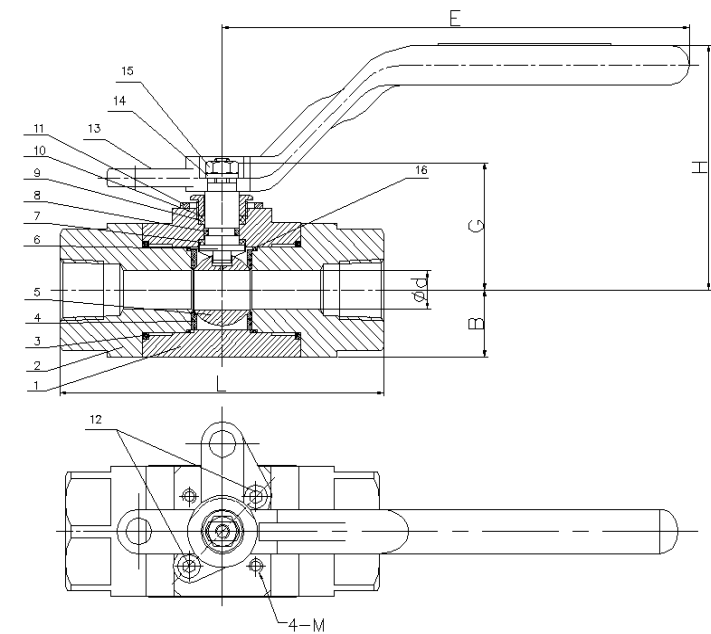
In:Inch(mm)

Item#	DN	PN bar	LW	d1	L	L1	L2	H	h1	h2	B	SW	S
KHB3K-1/8NPT	4	315	6	1/8NPT	69	37	120	73	13	32	28	9	35
KHB3K-1/4NPT	6	315	6	1/4NPT	69	37	120	73	13	32	28	9	35
KHB3K-3/8NPT	10	315	10	3/8NPT	72	42	120	82	17	40	32	9	36
KHB3K-1/2NPT	13	315	13	1/2NPT	83	48	120	82	17	40	35	14	40
KHB3K-3/4NPT	20	315	20	3/4NPT	95	60	170	117	24	57	48	14	49
KHB3K-1NPT	25	315	25	1NPT	113	65	170	125	28.5	64	57	14	56.5
KHB3K-1-1/4NPT	25	315	25	1-1/4NPT	120	65	170	125	28.5	64	60	14	60
KHB3K-1-1/4NPT	32	315	30	1-1/4NPT	120	84	235	166	37.5	84	75	17	60
KHB3K-1-1/2NPT	40	315	38	1-1/2NPT	130	91	235	177	42.5	95	85	17	70
KHB3K-2NPT	50	315	48	2NPT	140	100	235	194	52.5	112.5	105	17	75

1.4.6 6000PSI High Pressure Carbon Steel Ball Valve

- ◆ Working Pressure : 6000 PSI
- ◆ Temperature Range: -20°F to 425°F(-30°C to 220°C)
- ◆ 3PC Valve Body , Female Thread connect ,Lockable
- ◆ Meet NACE MR0175 Standard ,According to ASME B16.34 ,Fire Safety
- ◆ Lockable Lever handle

Part#	Part Name	Material
1	Body	A105 Carbon Steel
2	Valve Cap	A105 Carbon Steel
3	Gasket	graphite
4	Ball Seat	Peek Plastic
5	Ball	316 stainless Steel
6	Stem	316 stainless Steel
7	Washer	PTFE
8	O-ring	Viton
9	Seal	graphite
10	valve deck	316 stainless Steel
11	Lock Flange	A105 Carbon Steel
12	Bolt	304 stainless Steel
13	Handle	WCB Carbon Steel





Intech Industries Manufacturing Co.,Ltd

14	Gasket	304 stainless Steel
15	Nut	304 stainless Steel
16	O-Ring	Viton

In:Inch (mm)

Item#	3PC6000-50		3PC6000-75		3PC6000-100		3PC6000-125		3PC6000-150		3PC6000-200	
Size	1/2"		3/4"		1"		1-1/4"		1 -1/2"		2"	
	inch	mm	inch	mm	inch	mm	inch	mm	inch	mm	inch	mm
d	0.5"	12.7	0.5"	12.7	0.75"	19	1"	25.4	1"	25.4	1.50"	38
L	4.37"	111	4.37"	111	5.24"	133	6.42"	163	6.42"	163	7.40"	188
H	3.26"	82.7	3.26"	82.7	3.66"	93.2	3.93"	99.7	3.93"	99.7	5.27"	134.5
E	6.49"	165	6.49"	165	8.07"	205	8.07"	205	8.07"	205	10.03"	255
B	0.87"	22	0.94"	24	1.18"	30	1.57"	40	1.57"	40	2.18"	51.25
G	1.70"	43.2	1.70"	43.2	2.23"	56.7	2.49"	63.2	2.49"	63.2	3.52"	89.5

1.4.7 Ductile Iron/Carbon Steel Oilfield Ball Valves

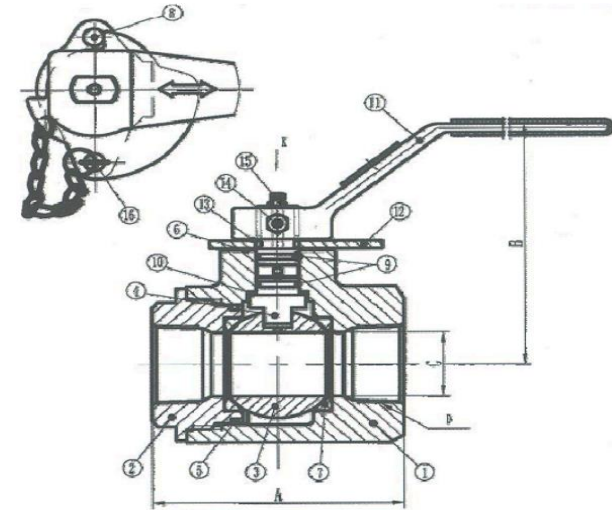
- ◆ Working Pressure: 1000PSI-5000PSI
- ◆ Temperature Range: -20° to 480°F(-30 ° to +250 °C)

Professional & One-Stop Service
-Manufacturing -Customerized -Sourcing&Trading -Stocking



- ◆ Full & Reduce Port
- ◆ Material: A216 WCB/Ductile Iron
- ◆ Lever handle

Part#	Part Name	Material
1	Body	Ductile Iron/A216 WVB
2	Cap	Ductile Iron/A216 WVB
3	Ball	304S.S
4	Stem	420 S.S
5	Body Seal	HNBR/VITON
6	Stem Bearing	PTFE
7	Seats	RPTFE/PEEK
8	Stop Pin	STEEL
9	Stem Seal	HNBR
10	Thrust Bearing	PTFE
11	Handle	Carbon Steel
12	Stop Plate	Steel
13	Retainer Ring	Steel
14	Handle	Carbon Steel
15	Grease Zerw	Copper
16	Pin With Chain	Carbon Steel



In:inch(mm)

Item# 货号	Size 尺寸	Pressure 压力	Material 材质	A	B	C	Port 通径
CS200R-3000	2"	3000psi	A216 WCB	5.51/139.95	5.28/134.11	1.49/37.85	Reduce
CS200R-5000	2"	5000psi		5.51/139.95	5.28/134.11	1.49/37.85	Reduce
CS200F-3000	2"	3000psi		6.00/152.40	5.93/150.62	1.97/50.04	Full
DI100F-2000	1"	2000psi	Ductile Iron	4.02/102.11	3.66/92.96	1.00/25.4	Full
DI200R-2000	2"	2000psi		5.51/139.95	5.28/134.11	1.5/38.10	Reduce
DI300R-2000	3"	2000psi		7.48/189.99	8.66/219.96	1.97/50.04	Reduce
DI400R-1000	4"	1000psi		8.74/222.00	6.77/171.96	2.99/75.95	Reduce

1.5 Mini Ball Valve

1.5.1 450PSI Brass Hex Body Mini Ball Valve

- ◆Working pressure: 450PSI
- ◆Temperature Range: -20°F to 370°F (-30°C to +190°C)
- ◆Nickel plated brass hex extruded body
- ◆Blow-out proof Brass stem ,Nickel plated brass ball ,PTFE Ball seats ,Viton stem sealing
- ◆Double seals allow valve to be operated in both directions
- ◆With optional three kinds of plastic or Zinc Cast handle --Wedge, T and Lever

Item#	Size	Picture
CMV-12-00	1/8" M x F	
CMV-25-00	1/4" M x F	
CMV-33-00	3/8" M x F	
CMV-50-00	1/2" M x F	
CBV-12-00	1/8" F x F	

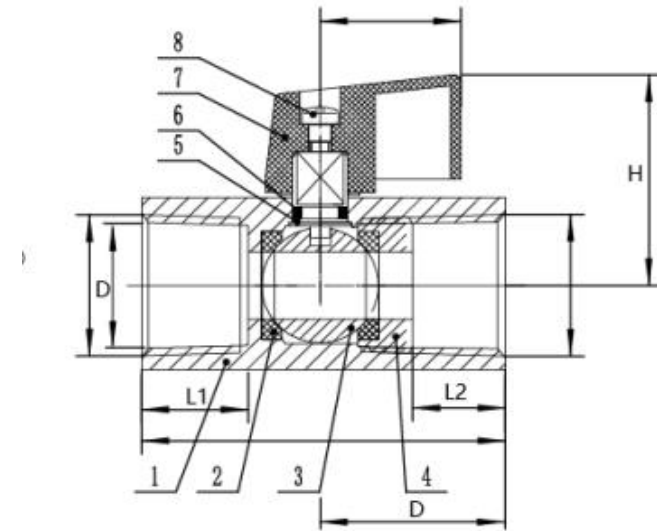


[Intech Industries Manufacturing Co.,Ltd](http://www.intechindustries.com)

CBV-25-00	1/4" F x F	
CBV-33-00	3/8" F x F	
CBV-50-00	1/2" F x F	

Male x Female

Part#	Part Name	Material
1	Body	Brass
2	Seat	PTFE
3	Ball	Brass
4	Cap	Brass
5	Stem	Brass
6	O-Ring	FKM
7	Handle	Plastic
8	螺杆	S.S



In:Inch(mm)

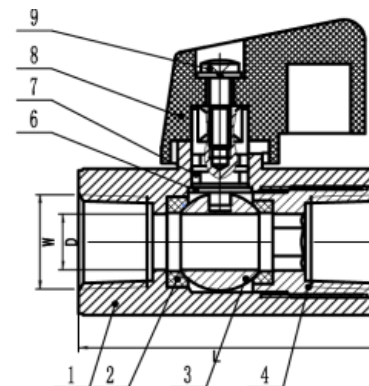
Item#	Size	L	D	d	S	W	H
CMV-12-00	1/8	1.55/39.37	0.81/20.57	0.24/6.10	0.49/12.45	0.79/20.07	1.02/25.91
CMV-25-00	1/4	1.71/43.43	0.89/22.61	0.31/7.87	0.55/13.97	0.79/20.07	1.02/25.91
CMV-33-00	3/8	1.71/43.43	0.89/22.61	0.31/7.87	0.55/13.97	0.79/20.07	1.02/25.91
CMV-50-00	1/2	2.11/53.59	0.63/16.00	0.39/9.91	0.67/17.02	0.79/20.07	1.1/27.94

1.5.2 600PSI Brass Hex Body Mini Ball Valve, External Stop design

- ◆Working pressure:600PSI
- ◆Temperature Range: -20°F to 370°F (-30°C to +190°C)
- ◆For use in confined and hard to working area
- ◆Nickle plated brass hex forged body
- ◆Blow-out proof Brass stem ,Cr.plated brass ball ,PTFE Ball seats ,Double Viton stem sealing
- ◆Double seals allow valve to be operated in both directions
- ◆With optional three kinds of Zinc Cast handle --Wedge, T and Lever



Part#	Part Name	Material
1	Body	Brass
2	Seat	PTFE
3	Ball	Brass /S.S.
4	Cap	Brass
6	Stem	Brass
7	O-Ring	FKM
8	Handle	Plastic
9	螺钉+弹垫	Q235+S.S



			In:Inch(mm)			
With Wedge Handle	With Lever Handle	With T Handle	Size	W	D	L
NONE NSF.Cr. Brass Ball						
DCBV-12W	DCBV-12L	DCBV-12T	1/8	1/8"NPT	0.24/6	1.57/40
DCBV-25W	DCBV-25L	DCBV-25T	1/4	1/4"NPT	0.31/8	1.67/42.6
DCBV-33W	DCBV-33L	DCBV-33T	3/8	3/8"NPT	0.31/8	1.73/44
DCBV-50W	DCBV-50L	DCBV-50T	1/2	1/2"NPT	0.39/10	2.08/53
NSF APPROVAL S.S. Ball and lead-free Brass						
DCBV-12W-N	DCBV-12L-N	DCBV-12T-N	1/8	1/8"NPT	0.24/6	1.57/40
DCBV-25W-N	DCBV-25L-N	DCBV-25T-N	1/4	1/4"NPT	0.31/8	1.67/42.6
DCBV-33W-N	DCBV-33L-N	DCBV-33T-N	3/8	3/8"NPT	0.31/8	1.73/44
DCBV-50W-N	DCBV-50L-N	DCBV-50T-N	1/2	1/2"NPT	0.39/10	2.08/53

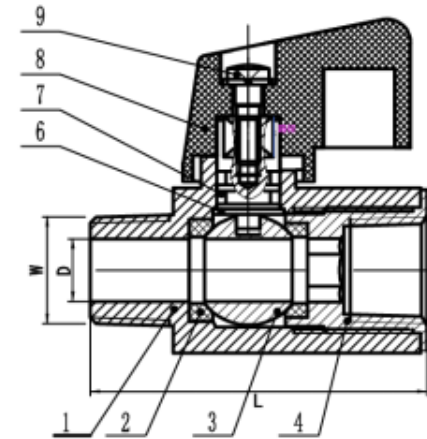
Male x Female

Part#	Part Name	Material
1	Body	Brass
2	Seat	PTFE
3	Ball	Brass /S.S.



Intech Industries Manufacturing Co.,Ltd

4	Cap	Brass
6	Stem	Brass
7	O-Ring	Victon
8	Handle	PC
9	螺钉+弹垫	Q235+S.S



In:Inch(mm)

With Wedge Handle	With Lever Handle	With T Handle	Size	W	D	L
<u>NONE NSF,Cr. Brass Ball</u>						
DCMV-12W	DCMV-12L	DCMV-12T	1/8	1/8"NPT	0.24/6	1.57/40
DCMV-25W	DCMV-25L	DCMV-25T	1/4	1/4"NPT	0.31/8	1.67/42.6
DCMV-33W	DCMV-33L	DCMV-33T	3/8	3/8"NPT	0.31/8	1.73/44
DCMV-50W	DCMV-50L	DCMV-50T	1/2	1/2"NPT	0.39/10	2.08/53
<u>NSF APPROVAL,S.S. Ball and lead-free Brass</u>						
DCMV-12W-N	DCMV-12L-N	DCMV-12T-N	1/8	1/8"NPT	0.24/6	1.57/40
DCMV-25W-N	DCMV-25L-N	DCMV-25T-N	1/4	1/4"NPT	0.31/8	1.67/42.6
DCMV-33W-N	DCMV-33L-N	DCMV-33T-N	3/8	3/8"NPT	0.31/8	1.73/44
DCMV-50W-N	DCMV-50L-N	DCMV-50T-N	1/2	1/2"NPT	0.39/10	2.08/53

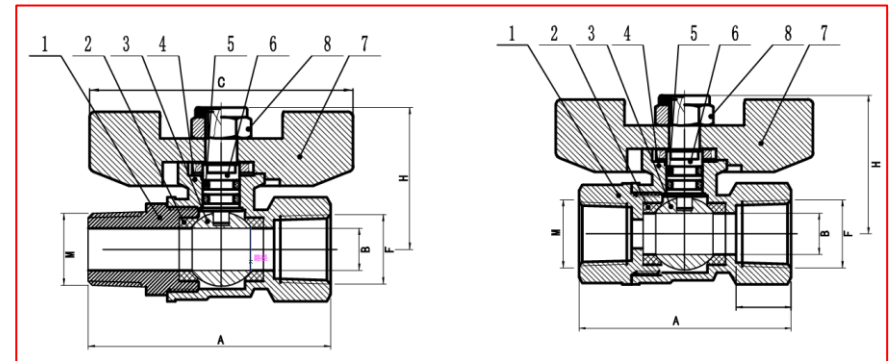
Professional & One-Stop Service
[-Manufacturing -Customerized -Sourcing&Trading -Stocking](#)

1.5.3 MMTH&MFTH Mini Brass Ball Valve

- ◆ 600 PSI (WOG) 150 PSI (WSP) Service
- ◆ Temperature Range: -20° F to +370°F(-30° C to +190°C)
- ◆ Two Piece Forge Brass Construction
- ◆ 1/8", 1/4", 3/8" & 1/2" Full Port
- ◆ 3/4" Regular Port
- ◆ Teflon ® Seats
- ◆ Blow Out Proof Brass Stem
- ◆ Rubber Seals
- ◆ Hard Chrome Plated Brass Ball
- ◆ Zinc Die Cast Tee Handle
- ◆ MMTH /Male x Female Connection MFTH /Female x Female Connection



Part#	Part Name	Material
1	Cap	Brass
2	Seat	PTFE
3	Ball	Brass
4	Body	Brass
5	O-Ring	Victon
6	Stem	Brass





7	Handle	Zinc Casting
8	Nut	Steel

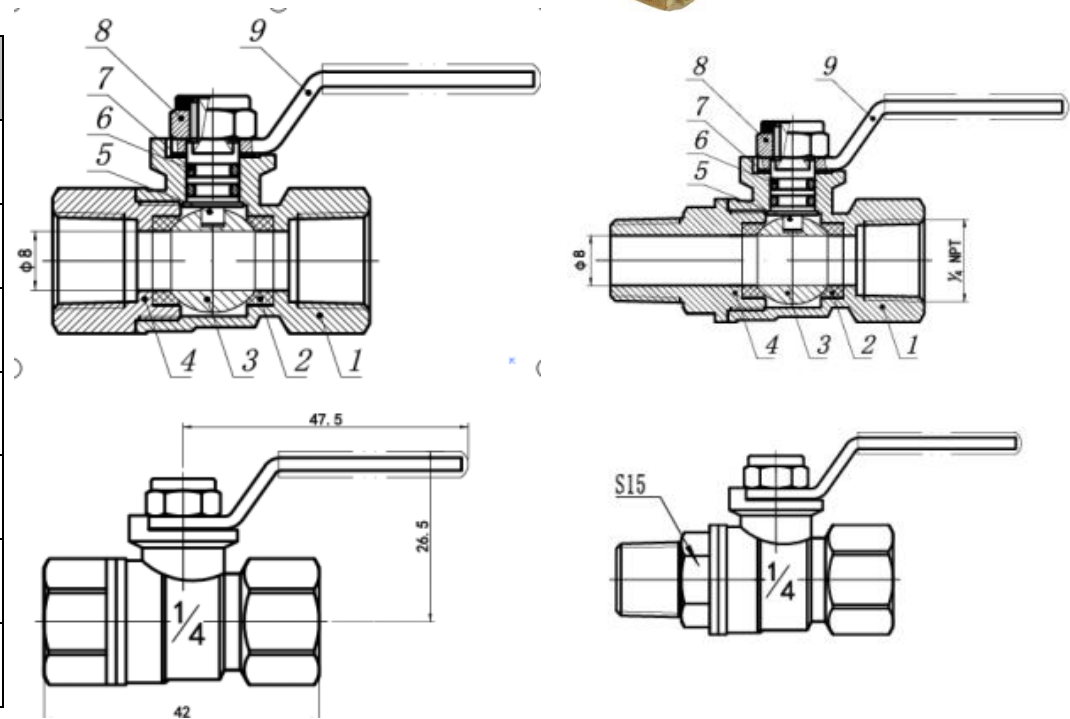
In:inch(mm)

Item#	A		B		C		F	H		Wt. (Lbs.)
	inch	mm	inch	mm	inch	mm		inch	mm	
MMTH-12	1.8	45.72	0.24	6.10	1.96	49.78	1/8" M x F	1.10	27.94	0.24
MMTH-25	1.8	45.72	0.24	6.10	1.96	49.78	1/4" M x F	1.10	27.94	0.19
MMTH-38	2	50.8	0.4	10.16	1.96	49.78	3/8" M x F	1.26	32.00	0.28
MMTH-50	2.4	60.96	0.5	12.70	2.48	62.99	1/2" M x F	1.45	36.83	0.43
MMTH-75	2.7	68.58	0.66	16.76	2.48	62.99	3/4" M x F	1.65	41.91	0.53
MFTH-12	1.65	41.91	0.24	6.10	1.96	49.78	1/8" F x F	1.10	27.94	0.26
MFTH-25	1.65	41.91	0.24	6.10	1.96	49.78	1/4" F x F	1.10	27.94	0.19

1.5.4 MFBV & MMBV Mini 2PC Brass Ball Valve

- ◆ Working Pressure: 600PSI ,Full Port
- ◆ Working Stream Pressure: 150PSI W.S.P
- ◆ Temperature Range: -20° F to +350°F(-30° C to +180°C)
- ◆ Forged Brass Body,Non-plated
- ◆ #MFBV-25 Female x Female 1/4" NPT
- ◆ #MMBV-25 Male x Male 1/4" NPT
- ◆ Steel handle,Cr. plated

Part #	Part Name	Material
1	Body	Brass
2	Ball Seats	PTFE
3	Ball	Brass
4	Cap	Brass
5	Stem	Brass
6	O-Rings	Victon
7	Washer	PTFE





Intech Industries Manufacturing Co.,Ltd

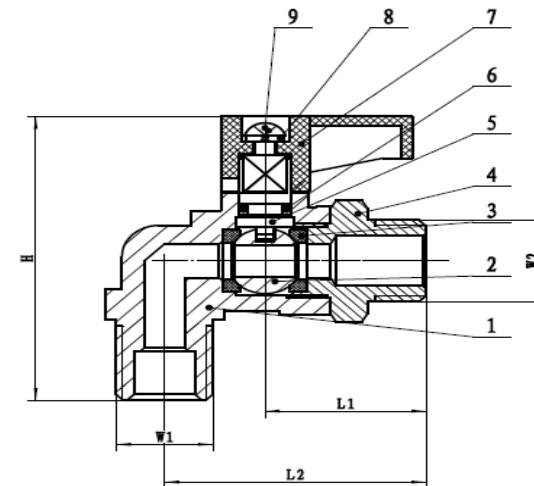
8	Nut	Steel
9	Handle	Steel

Item#	Size
MFBV-25	1/4" M x F
MMBV-25	1/4" M x M

1.5.5 90 Degree Brass Mini Ball Valve

- ◆ Working pressure: 300PSI
- ◆ Temperature Range: -4° to +250°F(-20° to +120°C)
- ◆ 90° special design,brass body,Cr. plated
- ◆ Optional connections: BSPP,BSPT,NPT

Part#	Part Name	Material
1	Body	Brass
2	Ball	Brass ,Cr. plated
3	Ball Seat	PTFE
4	Cap	Brass
5	Stem	Brass
6	O-ring	EPDM
7	Handle	Nylon
8	Spring Washer	65Mn
9	Screw	S.S



Professional & One-Stop Service
 -Manufacturing -Customerized -Sourcing&Trading -Stocking

In:Inch(mm)

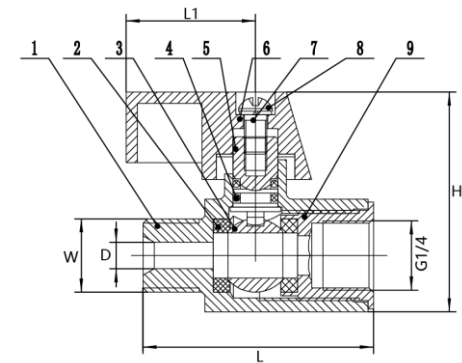
Threads	W1	W2	L1	L2	H
BSPP, BSPT,NPT	1/8	1/8	0.87(22)	1.42(36)	1.80(45.8)
	1/4	1/4	0.87(22)	1.42(36)	1.80(45.8)

1.5.6 Economical Hex Mini Ball Valve

- ◆Working pressure:450 PSI
- ◆Temperature Range: -4° F to +250°F(-20°C to +120°C)
- ◆Connections: male x male or male x female
- ◆Al. casting handle and with 20mm hex body.



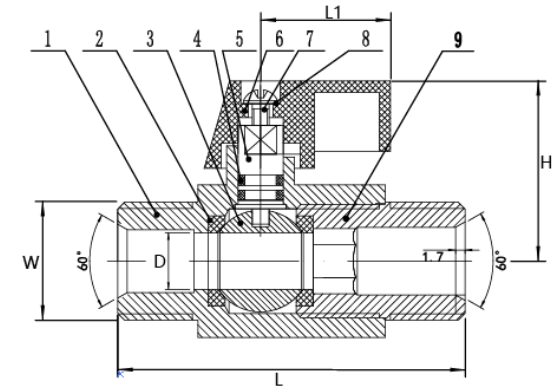
Part#	Part Name	Material
1	Body	Brass
2	Seat	PTFE
3	Ball	Brass



Professional & One-Stop Service
[-Manufacturing -Customerized -Sourcing&Trading -Stocking](#)



4	O-RING	NBR
5	Stem	Brass
6	Handle	Zinc Casting
7	Screw	S.S
8	Spring Washer	65Mn
9	Cap	Brass



In:Inch(mm)

Item#	Size	W	D	L	L1	H
370-1813	1/4"	1/4"BSPP,MxF	0.31/8	1.57/40	0.91/23	1.14/29
QM3351-089	1/2"	1/2"BSPP,MxF	0.39/10	2.32/59	0.91/23	1.26/31.9
QM335-2834	1/2"	1/2"BSPP,MxM	0.39/10	2.42/61.5	0.91/23	1.26/31.9

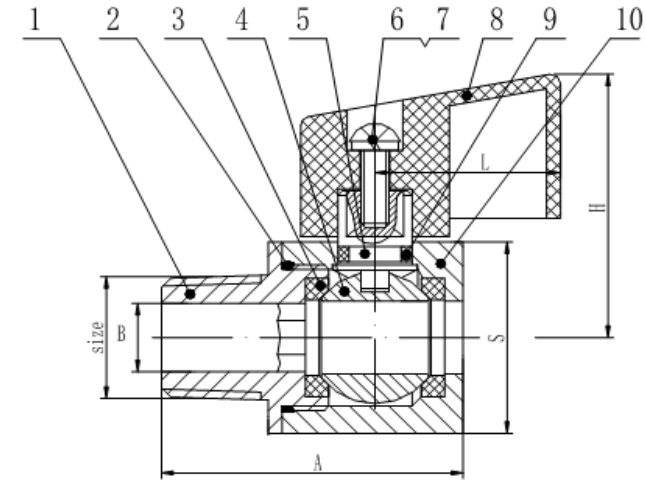
1.5.7 Miniature Ball Drain Valve

- ◆ Working Pressure : 450PSI
- ◆ Temperature Range: -4° F to +250°F(-20° C to +120°C)
- ◆ Chrome Plated Hex Brass Body
- ◆ Cr.plated brass ball ,Brass Stem ,PTFE Ball seats and Viton stem sealing
- ◆ ABS Plastic Wedge Handle



◆ Male Threaded at one end ,and the other side is drain port without threads .

Part #	Part Name	Material
1	Valve Cap	Brass, Cr.plated
2	Cap Sealing	Rubber O-Ring
3	Ball Seats	PTFE
4	Ball	Cr.plated brass
5	Stem	Brass, Cr.plated
6	Screw	Steel
7	Washer	Steel
8	Handle	ABS Plastic
9	Stem Seal	Rubber O-Ring
10	Body	Brass, Cr.plated



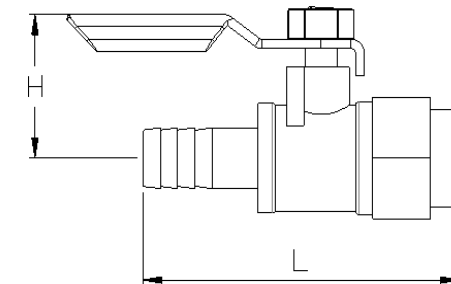
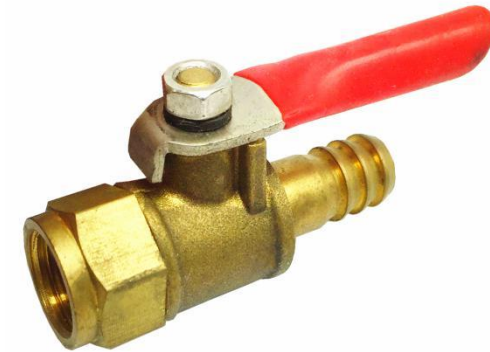
In: Inch(mm)

Size	A		B		S		H		L	
	Inch	mm	Inch	mm	Inch	mm	Inch	mm	Inch	mm
1/8"	1.22	30.99	0.24	6.10	0.82	20.83	1.10	27.94	0.78	19.81
1/4"	1.26	32.00	0.31	7.87	0.82	20.83	1.10	27.94	0.78	19.81
3/8"	1.26	32.00	0.31	7.87	0.82	20.83	1.10	27.94	0.78	19.81
1/2"	1.57	39.88	0.39	9.91	0.98	24.89	1.29	32.77	0.78	19.81

1.5.8 Compressor air In-line Brass Mini Ball Valve

- ◆Max. pressure: 300 PSI(20 Bar for Thread End)
250 PSI(17 Bar for Hose Barb)
- ◆Temperature Range: -4° to +250°F(-20°C to +120°C)
- ◆Connection:Thread or Hose Barb
- ◆Size available:From 1/8" to 1/2" thread or tube
- ◆Steel handle,180° turning,for more easy and quick opening and closing
- ◆Five different colors for easy identification in manifold applications.

Item #	End Size	L	H
Female NPT x Hose Barb			
ACBV-12F1/8H	1/8F x 1/8"ID	40(1.57)	22(0.87)
ACBV-12F3/16H	1/8F x 3/16"ID	44(1.73)	22(0.87)
ACBV-12F1/4H	1/8F x 1/4"ID	48(1.89)	22(0.87)
ACBV-12F3/8H	1/8F x 3/8"ID	48(1.89)	22(0.87)
ACBV-25F1/8H	1/4F x 1/8"ID	42(1.65)	22(0.87)
ACBV-25F3/16H	1/4F x 3/16"ID	46(1.81)	22(0.87)
ACBV-25F1/4H	1/4F x 1/4"ID	50(1.97)	22(0.87)
ACBV-25F3/8H	1/4F x 3/8"ID	50(1.97)	22(0.87)
ACBV-25F1/2H	1/4F x 1/2"ID	50(1.97)	22(0.87)
ACBV-33F1/8H	3/8F x 1/8"ID	42(1.65)	24(0.94)
ACBV-33F3/16H	3/8F x 3/16"ID	46(1.81)	24(0.94)
ACBV-33F1/4H	3/8F x 1/4"ID	50(1.97)	24(0.94)
ACBV-33F3/8H	3/8F x 3/8"ID	50(1.97)	24(0.94)

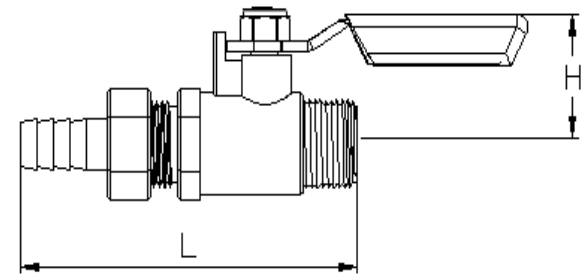




Intech Industries Manufacturing Co.,Ltd

ACBV-33F1/2H	3/8F x 1/2"ID	50(1.97)	24(0.94)
ACBV-50F1/4H	1/2F x 1/4"ID	59(2.32)	28(1.10)
ACBV-50F3/8H	1/2F x 3/8"ID	59(2.32)	28(1.10)
ACBV-50F1/2H	1/2F x 1/2"ID	59(2.32)	28(1.10)

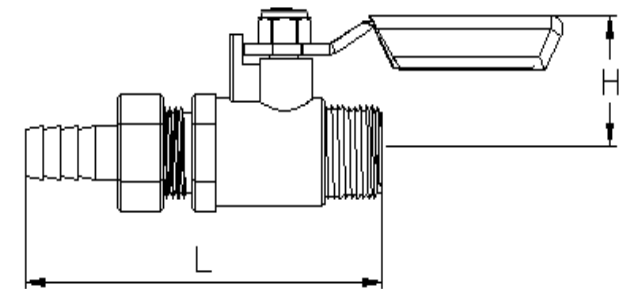
Item #	End Size	L	H
Male NPT x Hose Barb			
ACBV-12M1/8H	1/8M x 1/8"ID	40(1.57)	24(0.94)
ACBV-12M3/16H	1/8M x 3/16"ID	44(1.73)	24(0.94)
ACBV-12M1/4H	1/8M x 1/4"ID	48(1.89)	24(0.94)
ACBV-12M3/8H	1/8M x 3/8"ID	48(1.89)	24(0.94)
ACBV-25M1/8H	1/4M x 1/8"ID	42(1.65)	24(0.94)
ACBV-25M3/16H	1/4M x 3/16"ID	46(1.81)	24(0.94)
ACBV-25M1/4H	1/4M x 1/4"ID	50(1.97)	24(0.94)
ACBV-25M3/8H	1/4M x 3/8"ID	50(1.97)	24(0.94)
ACBV-25M1/2H	1/4M x 1/2"ID	50(1.97)	24(0.94)
ACBV-33M1/8H	3/8M x 1/8"ID	42(1.65)	24(0.94)
ACBV-33M3/16H	3/8M x 3/16"ID	46(1.81)	24(0.94)





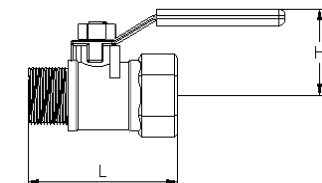
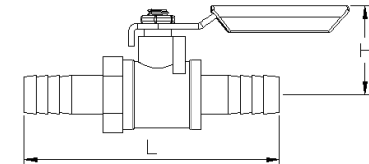
ACBV-33M1/4H	3/8M x 1/4"ID	50(1.97)	24(0.94)
ACBV-33M3/8H	3/8M x 3/8"ID	50(1.97)	24(0.94)
ACBV-33M1/2H	3/8M x 1/2"ID	50(1.97)	24(0.94)
ACBV-50M1/4H	1/2M x 1/4"ID	59(2.32)	24(0.94)
ACBV-50M3/8H	1/2M x 3/8"ID	59(2.32)	24(0.94)
ACBV-50M1/2H	1/2M x 1/2"ID	59(2.32)	24(0.94)

Item #	End Size	L	H
Male NPT x Union Hose Barb			
ACBV-12M1/8UH	1/8M x 1/8"ID	55(2.16)	22(0.87)
ACBV-12M3/16UH	1/8M x 3/16"ID	63(2.48)	22(0.87)
ACBV-12M1/4UH	1/8M x 1/4"ID	68(2.68)	22(0.87)
ACBV-12M3/8UH	1/8M x 3/8"ID	68(2.68)	22(0.87)
ACBV-25M1/8UH	1/4M x 1/8"ID	55(2.17)	22(0.87)
ACBV-25M3/16UH	1/4M x 3/16"ID	63(2.48)	22(0.87)
ACBV-25M1/4UH	1/4M x 1/4"ID	68(2.68)	22(0.87)
ACBV-25M3/8UH	1/4M x 3/8"ID	68(2.68)	22(0.87)

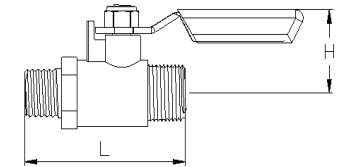
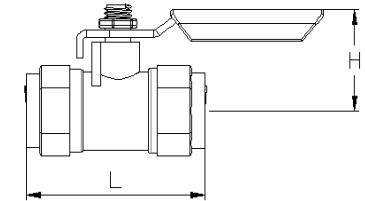


ACBV-25M1/2UH	1/4M x 1/2"ID	68(2.68)	22(0.87)
ACBV-33M1/8UH	3/8M x 1/8"ID	61(2.40)	24(0.94)
ACBV-33M3/16UH	3/8M x 3/16"ID	69(2.72)	24(0.94)
ACBV-33M1/4UH	3/8M x 1/4"ID	74(2.91)	24(0.94)
ACBV-33M3/8UH	3/8M x 3/8"ID	74(2.91)	24(0.94)
ACBV-33M1/2UH	3/8M x 1/2"ID	74(2.91)	24(0.94)
ACBV-50M1/4UH	1/2M x 1/4"ID	83(3.27)	24(0.94)
ACBV-50M3/8UH	1/2M x 3/8"ID	83(3.27)	24(0.94)
ACBV-50M1/2UH	1/2M x 1/2"ID	83(3.27)	24(0.94)

Item #	End Size	L	H
Hose Barb x Hose Barb			
ACBV-12H	1/8"ID x 1/8"ID	57(2.24)	22(0.87)
ACBV-18H	3/16"ID x 3/16"ID	61(2.40)	22(0.87)
ACBV-25H	1/4"ID x 1/4"ID	65(2.56)	22(0.87)
ACBV-33H	3/8"ID x 3/8"ID	65(2.56)	24(0.94)
ACBV-50H	1/2"ID x 1/2"ID	65(2.56)	24(0.94)
Male x Female			
ACBV-12MF	1/8X1/8	40(1.57)	22(0.87)
ACBV-25MF	1/4X1/4	40(1.57)	24(0.94)



ACBV-33MF	3/8X3/8	46(1.81)	24(0.94)
ACBV-50MF	1/2X1/2	55(2.16)	28(1.10)
ACBV-75MF	3/4X3/4	65(2.56)	32(1.26)
Female x Female			
ACBV-12FF	1/8X1/8	40(1.57)	22(0.87)
ACBV-25FF	1/4X1/4	40(1.57)	22(0.87)
ACBV-33FF	3/8X3/8	46(1.81)	24(0.94)
ACBV-50FF	1/2X1/2	55(2.16)	28(1.10)
ACBV-75FF	3/4X3/4	65(2.56)	32(1.26)
Male x Male			
ACBV-12MM	1/8X1/8	44(1.73)	22(0.87)
ACBV-25MM	1/4X1/4	44(1.73)	22(0.87)
ACBV-33MM	3/8X3/8	50(1.97)	24(0.94)
ACBV-50MM	1/2X1/2	59(2.32)	28(1.10)
ACBV-75MM	3/4X3/4	69(2.72)	32(1.26)


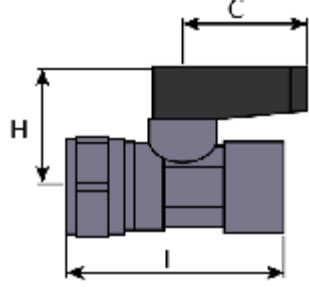



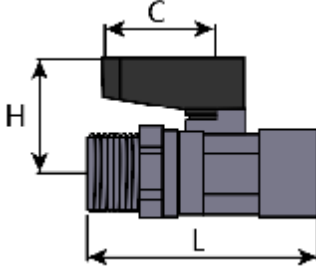
1.5.9 Nickel-Plated Brass Mini Ball Valves

- ◆ Working pressure: 450 PSI
- ◆ Temperature Range: -4° to +250°F (-20°C to +120°C)
- ◆ Nickel-Plated Brass
- ◆ Optional Color for PC Handle

Professional & One-Stop Service
-Manufacturing -Customerized -Sourcing&Trading -Stocking




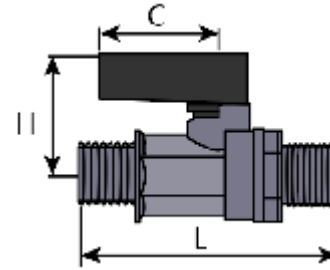
Female x Female,Nickel-Plated Brass Mini Ball Valves,450PSI						
Item#	Image	Connection	Product Size (In :Inch)			
			L	H	C	
2QMN1-FN		1/8" NPT Female x Female		1.48	0.83	0.75
2QMN2-FN		1/4" NPT Female x Female		1.81	0.83	0.75
2QMN3-FN		3/8" NPT Female x Female		1.91	0.87	0.75
2QMN4-FN		1/2" NPT Female x Female		2.44	1.20	0.78

Male x Female,Nickel-Plated Brass Mini Ball Valves,450PSI						
Item#	Image	Connection	Product Size (In :Inch)			
			L	H	C	
2QMN1-FMN		1/8" NPT Male x Female		1.46	0.83	0.75
2QMN2-FMN		1/4" NPT Male x Female		1.81	0.83	0.75
2QMN3-FMN		3/8" NPT Male x Female		1.87	0.87	0.75
2QMN4-FMN		1/2" NPT Male x Female		2.36	1.20	0.78

Male x Male,Nickel-Plated Brass Mini Ball Valves,450PSI						
Item#	Image 图片	Connection	Product Size (In :Inch)			
			L	H	C	


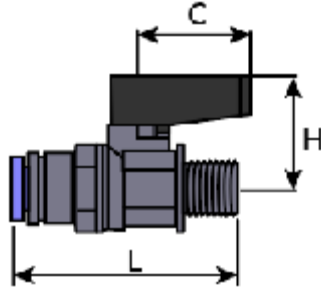



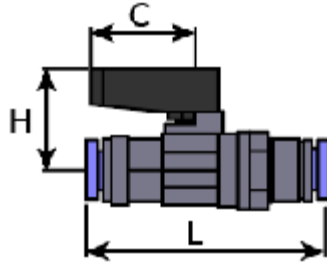
	1/8" NPT Male x Male
	1/4" NPT Male x Male
	3/8" NPT Male x Male
	1/2" NPT Male x Male



1.57	0.83	0.75
1.92	0.83	0.75
2.01	0.87	0.75
2.71	1.20	0.78

Male x Tube, Nickel-Plated Brass Mini Ball Valves, 250PSI

Item# 货号	Image 图片	Connection 连接方式	Product Size (In :Inch) 产品尺寸 (单位: 英寸)		
			L	H	C
	1/8" NPT Male x 1/8" Tube O.D		1.37	0.83	0.75
	1/8" NPT Male x 1/4" Tube O.D.		1.37	0.83	0.75
	1/4" NPT Male x 1/4" Tube O.D.		1.50	0.83	0.75
	3/8" NPT Male x 3/8" Tube O.D.		1.76	0.87	0.75
	1/2" NPT Male x 1/2" Tube O.D.		3.06	1.20	0.78

Tube x Tube,Nickel-Plated Brass Mini Ball Valves,250PSI						
Item#	Image	Connection	Product Size (In :Inch)			
			L	H	C	
		1/8" Tube O.D. x 1/8" Tube O.D.		1.67	0.83	0.75
		1/4" Tube O.D. x 1/4" Tube O.D.		1.83	0.83	0.75
		3/8" Tube O.D. x 3/8" Tube O.D.		2.38	0.87	0.75
		1/2" Tube O.D. x 1/2" Tube O.D.		3.41	1.20	0.78

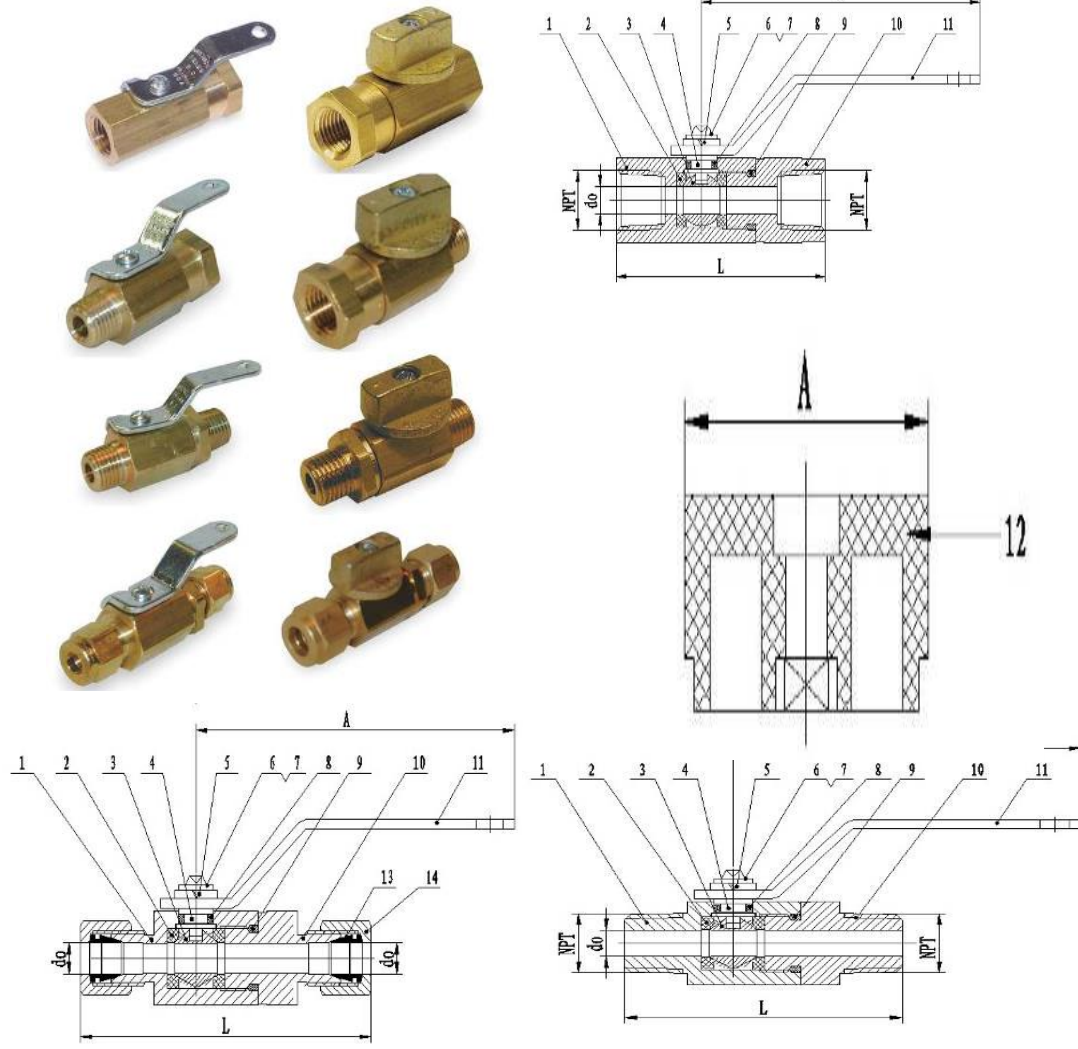
Optional Color for the Handle--- Black,Blue,Yellow ,Green ,Red or White

Item#	Image
	

1.5.10 1000 PSI Brass Mini Ball Valve

- ◆Max. pressure:1000 PSI
- ◆Temperature Range: -4° to +250°F(-20°C to +120°C)
- ◆2-pc.,Heavy duty construction
- ◆Metal handle (round and lever)
- ◆Connection:Thread or Compression double-ferrule

Part #	Part Name	Material
1	Body	Brass
2	Sealing Seat	PTFE
3	Ball	Brass
4	Stem	Brass
5 & 6	Washers	Steel
7	Screw	Steel
8	O-ring	Viton
9	O-Ring	Viton
10	Cap	Brass
11	Lever Handle	Steel
12	Round Handle	Zinc



13	Ferrules	Brass
14	Compression Nut	Brass

In:Inch(mm)

Item#	Size (NPT)	Connections	L		Do		A		Handle Style
			inch	mm	inch	mm	inch	mm	
1WML2	1/8"	F x F	1.96	49.78	0.24	6.10	2.83	71.88	Lever Handle
1WML6	1/4"	F x F	2.12	53.85	0.24	6.10	2.83	71.88	Lever Handle
1WMN2	1/8"	F x F	1.96	49.78	0.24	6.10	1.02	25.91	Round Handle
1WMN6	1/4"	F x F	2.12	53.85	0.24	6.10	1.02	25.91	Round Handle
1WML3	1/8"	M x F	1.98	50.29	0.24	6.10	2.83	71.88	Lever Handle
1WML7	1/4"	M x F	2.14	54.36	0.24	6.10	2.83	71.88	Lever Handle
1WMN3	1/8"	M x F	1.98	50.29	0.24	6.10	1.02	25.91	Round Handle
1WMN7	1/4"	M x F	2.14	54.36	0.24	6.10	1.02	25.91	Round Handle
1WML1	1/8"	M x M	2.10	53.34	0.24	6.10	2.83	71.88	Lever Handle
1WML5	1/4"	M x M	2.26	57.40	0.24	6.10	2.83	71.88	Lever Handle
1WMN1	1/8"	M x M	2.10	53.34	0.24	6.10	1.02	25.91	Round Handle
1WMN5	1/4"	M x M	2.26	57.40	0.24	6.10	1.02	25.91	Round Handle



1WML4	1/8"	OD x OD	2.40	60.96	0.13	3.30	2.83	71.88	Lever Handle
1WML8	1/4"	OD x OD	2.59	65.79	0.25	6.35	2.83	71.88	Lever Handle
1WML9	3/8"	OD x OD	2.71	68.83	0.37	9.40	2.83	71.88	Lever Handle
1WMN4	1/8"	OD x OD	2.40	60.96	0.13	3.30	1.02	25.91	Round Handle
1WMN8	1/4"	OD x OD	2.59	65.79	0.25	6.35	1.02	25.91	Round Handle
1WMN9	3/8"	OD x OD	2.71	68.83	0.37	9.40	1.02	25.91	Round Handle

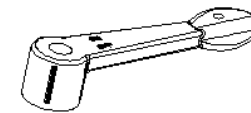
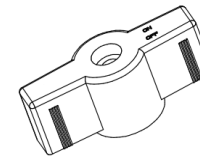
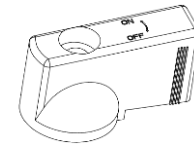
1.5.11 NSF Approval,1Pc Stainless Steel Hex Body Mini Ball Valve

- ◆Working pressure : 1000psi 1/8" to 3/8",800psi for 1/2".
- ◆Temperature Range: -4° to +250°F(-20°C to +120°C)
- ◆Material : 316 stainless steel body and cap
- ◆With optional Wedge,Lever and T zinc cast handle

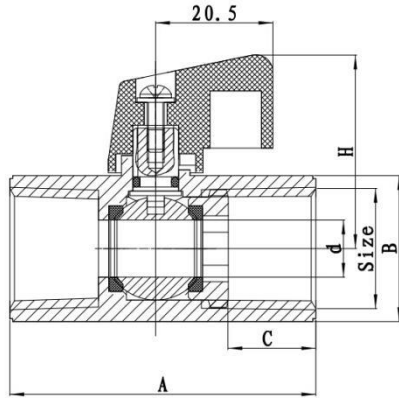
Female x Female



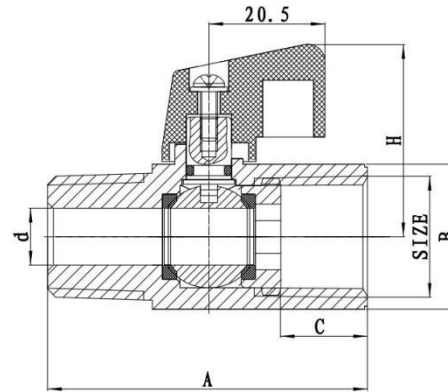
Female x Male



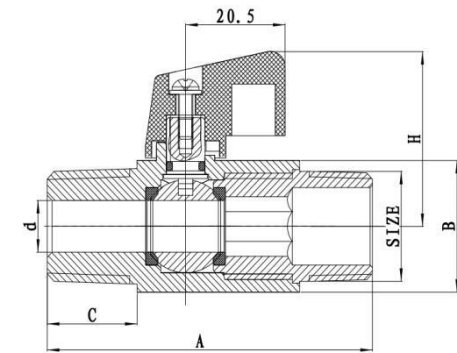
F x F



M x F



M x M



With Wedge Handle

In:Inch(mm)

Item# (货号)	Size (尺寸)	d IN(mm)	A IN(mm)	B IN(mm)	C IN(mm)	H IN(mm)
1000SMBV12-WH	1/8" F x F	0.32" (8)	1.79"(45.5)	0.85" (21.5)	0.51" (13)	1.24" (31.5)
1000SMBV25-WH	1/4" F x F		1.73"(44)			
1000SMBV33-WH	3/8" F x F					

800SMBV50-WH	1/2" F x F	0.39" (10)	2.11"(53.5)	1" (25.5)	0.59" (15)	1.32" (33.5)
1000SMBV12M-WH	1/8" M x F	0.32" (8)	1.79"(45.5)	0.85" (21.5)	0.51"(13)	1.24"(31.5)
1000SMBV25M-WH	1/4" M x F		1.73"(44)			
1000SMBV33M-WH	3/8" M x F					
800SMBV50M-WH	1/2" M x F	0.39" (10)	2.22" (56.5)	1" (25.5)	0.59" (15)	1.32"(33.5)
1000SMBV12MM-WH	1/8" M x M	0.32" (8)	2.17" (55)	0.85" (21.5)	0.51" (13)	1.24" (31.5)
1000SMBV25MM-WH	1/4" M x M		2.22"(56.5)			
1000SMBV33MM-WH	3/8" M x M					
800SMBV50MM-WH	1/2" M x M	0.39" (10)	2.64" (67)	1"(25.5)	0.73"(18.5)	1.32" (33.5)

With T Handle

Item# (货号)	Size (尺寸)	d IN(mm)	A IN(mm)	B IN(mm)	C IN(mm)	H IN(mm)
------------	-----------	----------	----------	----------	----------	----------

1000SMBV12-TH	1/8" F x F	0.32" (8)	1.79"(45.5)	0.85" (21.5)	0.51" (13)	1.24" (31.5)
1000SMBV25-TH	1/4" F x F		1.73"(44)			
1000SMBV33-TH	3/8" F x F					
800SMBV50-TH	1/2" F x F	0.39" (10)	2.11"(53.5)	1" (25.5)	0.59" (15)	1.32" (33.5)
1000SMBV12M-TH	1/8" M x F	0.32" (8)	1.79"(45.5)	0.85" (21.5)	0.51"(13)	1.24"(31.5)
1000SMBV25M-TH	1/4"M x F		1.73"(44)			
1000SMBV33M-TH	3/8" M x F					
800SMBV50M-TH	1/2" M x F	0.39" (10)	2.22" (56.5)	1" (25.5)	0.59" (15)	1.32"(33.5)
1000SMBV12MM-TH	1/8" M x M	0.32" (8)	2.17" (55)	0.85" (21.5)	0.51" (13)	1.24" (31.5)
1000SMBV25MM-TH	1/4" M x M		2.22"(56.5)			
1000SMBV33MM-TH	3/8" M x M					
800SMBV50MM-TH	1/2" M x M	0.39" (10)	2.64" (67)	1"(25.5)	0.73"(18.5)	1.32" (33.5)

With Lever Handle

Item# (货号)	Size (尺寸)	d IN(mm)	A IN(mm)	B IN(mm)	C IN(mm)	H IN(mm)
1000SMBV12-LH	1/8" F x F	0.32" (8)	1.79"(45.5)	0.85" (21.5)	0.51" (13)	1.24" (31.5)
1000SMBV25-LH	1/4" F x F					
1000SMBV33-LH	3/8" F x F		1.73"(44)			
800SMBV50-LH	1/2" F x F	0.39" (10)	2.11"(53.5)	1" (25.5)	0.59" (15)	1.32" (33.5)
1000SMBV12M-LH	1/8" M x F	0.32" (8)	1.79"(45.5)	0.85" (21.5)	0.51"(13)	1.24"(31.5)
1000SMBV25M-LH	1/4" M x F					
1000SMBV33M-LH	3/8" M x F		1.73"(44)			
800SMBV50M-LH	1/2" M x F	0.39" (10)	2.22" (56.5)	1" (25.5)	0.59" (15)	1.32"(33.5)
1000SMBV12MM-LH	1/8" M x M	0.32" (8)	2.17" (55)	0.85" (21.5)	0.51" (13)	1.24" (31.5)
1000SMBV25MM-LH	1/4" M x M					

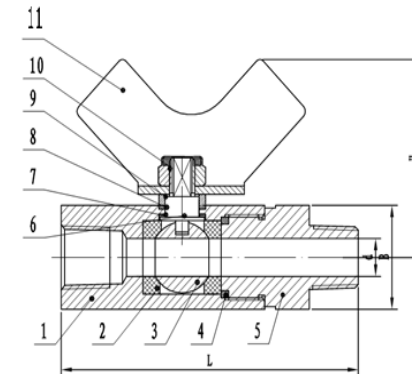
1000SMBV33MM-LH	3/8" M x M		2.22"(56.5)			
800SMBV50MM-LH	1/2" M x M	0.39" (10)	2.64" (67)	1"(25.5)	0.73"(18.5)	1.32" (33.5)

1.5.12 1000PSI Mini Stainless Steel Ball Valve

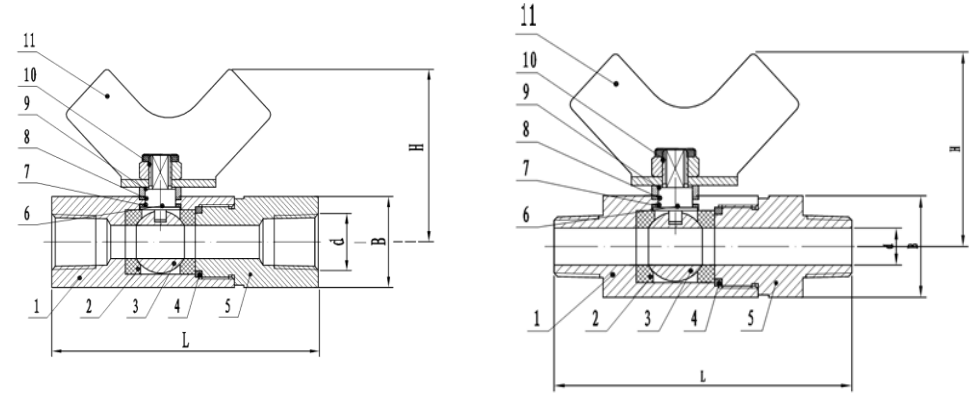
- ◆Working pressure:1000psi
- ◆Temperature Range: -36° F to + 368° F (-38° C to + 190° C)
- ◆Full Port for 1/4" , Standard port for 3/8" and 1/2"
- ◆316 Stainless Steel body and Ball ,With Lock out handle
- ◆Teflon seats and sealing



Part#	Part Name	Material
1	Body	S316
2	Seat	PTFE
3	Ball	S316
4	O-Ring	Viton
5	Cap	S.S316
6	Stem	S.S316



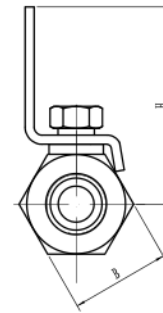
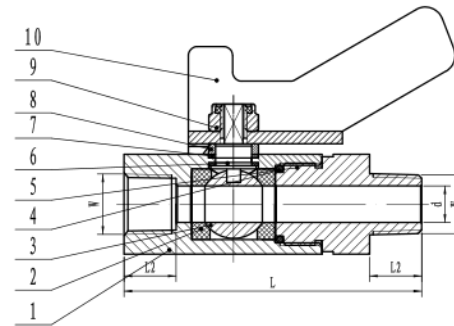
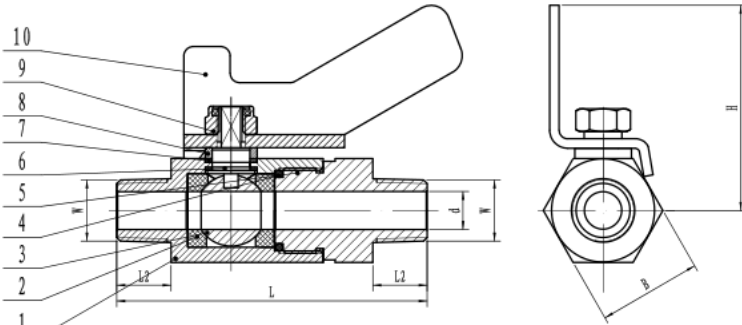
7	Stem Bottom Seal	PTFE
8	Stem Up Seal	PTFE
9	Spring Washer	S.S316
10	Lock Nut w/washer	Steel
11	Handle	Steel



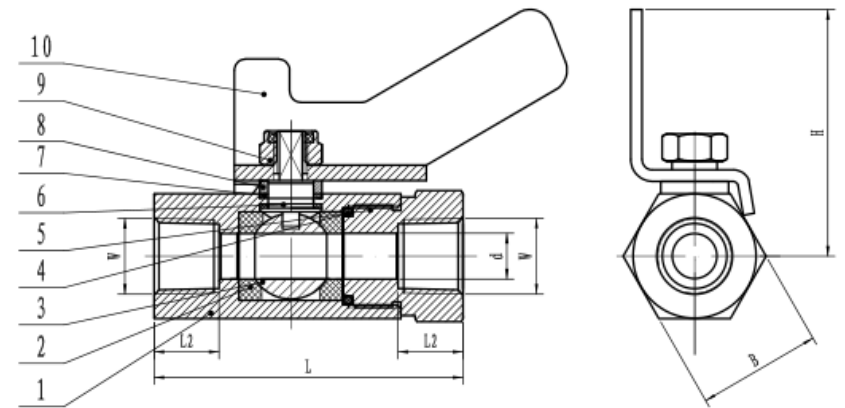
Item #	Size	In:inch(mm)							
		d		L		B (Hex)		H	
		inch	mm	inch	mm	inch	mm	inch	mm
MSMM-50	1/2"×1/2"(M×M)	0.31"	8	3.48"	88.4	0.97"	24.8	1.63"	41.5
MSMM-33	3/8"×3/8"(M×M)	0.31"	8	2.75"	70	0.85"	21.8	1.63"	41.5
MSMM-25	1/4"×1/4"(M×M)	0.31"	8	2.75"	70	0.85"	21.8	1.63"	41.5
MSMF-50	1/2"×1/2"(F×M)	0.31"	8	3.46"	88	0.97"	24.8	1.63"	41.5
MSMF-33	3/8"×3/8"(F×M)	0.31"	8	2.75"	70	0.85"	21.8	1.63"	41.5
MSMF-25	1/4"×1/4"(F×M)	0.31"	8	2.75"	70	0.85"	21.8	1.63"	41.5
MSFF-50	1/2"×1/2"(F×F)	0.31"	8	3.46"	88	0.97"	24.8	1.63"	41.5
MSFF-33	3/8"×3/8"(F×F)	0.31"	8	2.75"	70	0.85"	21.8	1.63"	41.5
MSFF-25	1/4"×1/4"(F×F)	0.31"	8	2.75"	70	0.85"	21.8	1.63"	41.5

1.5.13 Mini Stainless Steel Ball Valve ,With Butterfly Handle

- ◆1000PSI WOG , 150PSI WSP
- ◆Temperature Range: -36° F to + 368° F (-38° C to + 190° C)
- ◆Full Port for 1/4" , Standard port for 3/8" and 1/2"
- ◆316 Stainless Steel body and Ball
- ◆Teflon seats and sealing
- ◆304 Stainless Steel OSHA Compliant Lock Out Handle



1	Body	S.S316
2	Seat	PTFE
3	Ball	S.S316
4	O-Ring	Viton
5	Cap	S.S316
6	Stem	S.S316
7	Stem Bottom Seal	PTFE
8	Stem Up Seal	PTFE
9	Nut	Steel





10	Handle	Steel
----	--------	-------

In:Inch(mm)

Item #	Size	d	L	B (Hex)	H
MSBMM-12	1/8"×1/8"(M×M)	0.236/6	2.59/65.8	0.87/22.1	1.5/38.1
MSBMM-25	1/4"×1/4"(M×M)	0.314/8	2.59/65.8	0.87/22.1	1.5/38.1
MSBMM-33	3/8"×3/8"(M×M)	0.314/8	2.59/65.8	0.87/22.1	1.5/38.1
MSBMM-50	1/2"×1/2"(M×M)	0.314/8	3.07/78	0.98/24.9	1.5/38.1

MSBMF-12	1/8"×1/8"(M×F)	0.236/6	2.59/65.8	0.87/22.1	1.5/38.1
MSBMF-25	1/4"×1/4"(M×F)	0.314/8	2.59/65.8	0.87/22.1	1.5/38.1
MSBMF-33	3/8"×3/8"(M×F)	0.314/8	2.59/65.8	0.87/22.1	1.5/38.1
MSBMF-50	1/2"×1/2"(M×F)	0.314/8	2.93/74	0.98/24.9	1.5/38.1

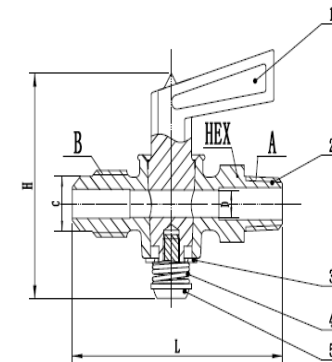
MSBFF-12	1/8"×1/8"(F×F)	0.236/6	2.15/54.6	0.87/22.1	1.5/38.1
MSBFF-25	1/4"×1/4"(F×F)	0.314/8	2.15/54.6	0.87/22.1	1.5/38.1
MSBFF-33	3/8"×3/8"(F×F)	0.314/8	2.27/57.7	0.87/22.1	1.5/38.1
MSBFF-50	1/2"×1/2"(F×F)	0.314/8	2.63/66.8	0.98/24.9	1.5/38.1

2.Plug valve

2.1Brass Shut off cocks

- ◆For use with low pressure air,water and fluids.
- ◆Designed for a working pressure of 150 PSI.
- ◆Hard-tightening provides a metal-to -metal seal.
- ◆Not intended for natural gas,LPG,nuclear or aircraft applications.
- ◆COMPRESSION X COMPRESSION

Part#	Part Name	Material
1	Stem	Brass
2	Body	Brass
3	Gasket	Q235
4	Compressed spring	65Mn
5	Screw	Steel



in:Inch (mm)

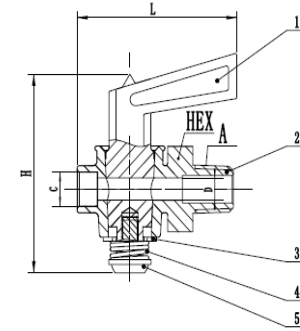
Size(A)	B	C		D		H		L		Hex	
		Inch	mm	Inch	mm	Inch	mm	Inch	mm	Inch	mm
1/8"	1/4"	0.39	10	0.20	5.1	1.88	47.8	2.16	54.8	0.49	12.5
1/4"	1/4"	0.39	10.00	0.26	6.50	1.84	46.80	2.19	55.60	0.67	17.00



Intech Industries Manufacturing Co.,Ltd

1/8"	5/16"	0.47	12.00	0.20	5.10	1.88	47.80	2.06	52.30	0.51	13.00
1/4"	5/16"	0.47	12.00	0.26	6.50	1.84	46.80	2.13	54.00	0.67	17.00
1/4"	3/8"	0.47	12.00	0.26	6.50	1.84	46.80	2.27	57.70	0.67	17.00
3/8"	1/2"	0.63	16.00	0.28	7.20	2.27	57.70	2.36	60.00	0.83	21.00

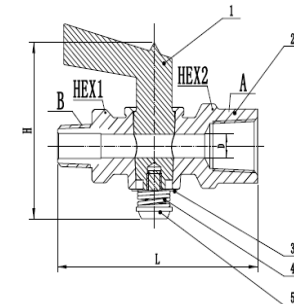
Part#	Part Name	Material
1	Stem	Brass
2	Body	Brass
3	Gasket	Q235
4	Compressed spring	65Mn
5	Screw	Steel



In:Inch (mm)

Size(A)	C		D		H		L		Hex	
	Inch	mm	Inch	mm	Inch	mm	Inch	mm	Inch	mm
1/8"	0.28	7.2	0.19	4.70	1.81	46	1.99	50.6	0.67	17
1/4"	0.28	7.20	0.26	6.50	1.81	46.00	2.06	52.30	0.67	17.00
3/8"	0.31	7.90	0.28	7.20	2.29	58.20	2.30	58.40	0.83	21.00
1/2"	0.31	7.90	0.28	7.20	2.50	63.50	3.00	76.20	0.91	23.00

Part#	Part Name	Material
1	Stem	Brass



Professional & One-Stop Service
[-Manufacturing -Customerized -Sourcing&Trading -Stocking](#)



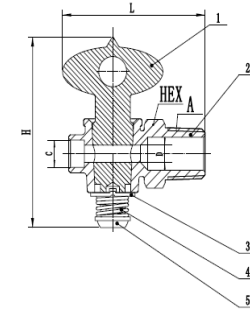
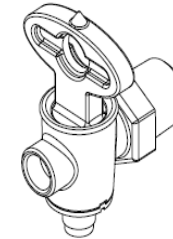
Intech Industries Manufacturing Co.,Ltd

2	Body	Brass
3	Gasket	Q235
4	Compressed spring	65Mn
5	Screw	Steel

In:Inch (mm)

Size(A)	B	D		H		L		Hex1		Hex2	
		Inch	mm	Inch	mm	Inch	mm	Inch	mm	Inch	mm
1/4"	1/4"	0.22	5.60	1.82	46.20	2.27	57.70	0.67	17.00	0.75	19.00

Part#	Part Name	Material
1	Stem	Brass
2	Body	Brass
3	Gasket	Q235
4	Compressed spring	65Mn
5	Screw	Steel



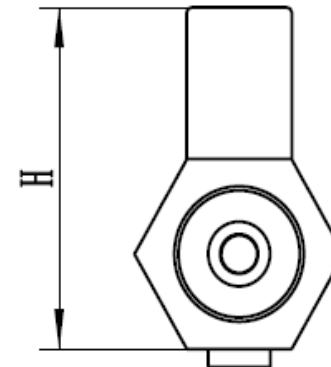
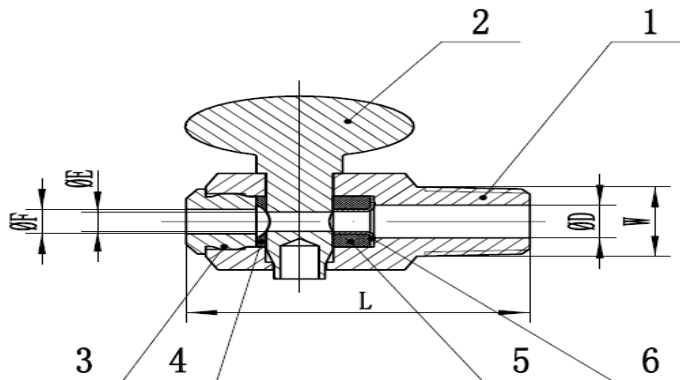
In:Inch (mm)

Size(A)	C		D		H		L		Hex	
	Inch	mm	Inch	mm	Inch	mm	Inch	mm	Inch	mm
1/8"	0.28	7.20	0.19	4.70	1.95	49.50	1.54	39.00	0.67	17.00

2.2 Hex Body Plug Style Drain Cock

- ◆ Working Pressure: 150PSI .
- ◆ Temperature Range: -65°F to +250°F (-55°to +120°C)
- ◆ Metal to Metal seals,Brass Body,Brass Stem

Part #	Part Name	Material
1	Body	Brass
2	Stem	Brass
3	Joint	Brass
4	Sealing1	NBR
5	Sealing2	NBR
6	Damper	Brass



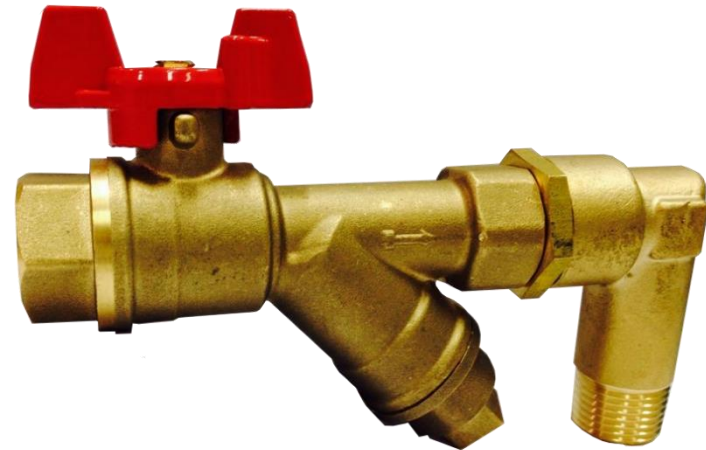
Item# 货号	W	ΦD	ΦE	ΦF	H	In:Inch(mm)
						L
DCR-25	1/4NPT	0.26/6.5	0.15/3.8	0.19/4.8	1.35/34.2	1.73/43.9

3.Y Strainer

3.1 Y Strainer Brass Ball Valve With Female Inlet & Removeable Elbow Outlet

- ◆ Working Pressure: 800 PSI (WOG)
- ◆ Temperature Range: -40°F to 365°F (-40°C to 185°C)
- ◆ PTFE & NBR Seals
- ◆ Blow Out Proof Stem
- ◆ Forged Brass Construction
- ◆ Full Port
- ◆ Replacement screen: 20/50/80 mesh
- ◆ T Handle Allows Quarter Turn Operation

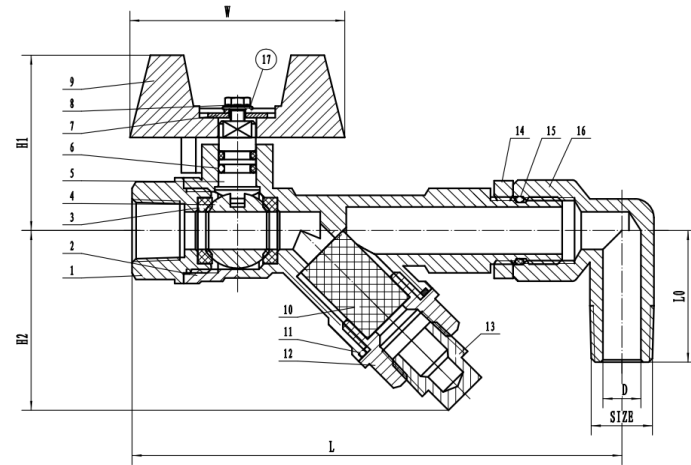
Part #	Part Name	Material
1	Cap	Brass
2	Body	Brass
3	Seat	PTFE





Intech Industries Manufacturing Co.,Ltd

4	Ball	Brass
5	Stem	Brass
6	O-ring	NBR
7	Washer	Steel
8	Screw	Steel
9	Handle	Al.
10	Screen	S.S.
11	Washer	PTFE
12	Cap	Brass
13	Plug	Brass
14	Nut	Brass
15	O-ring	NBR
16	Elbow	Brass



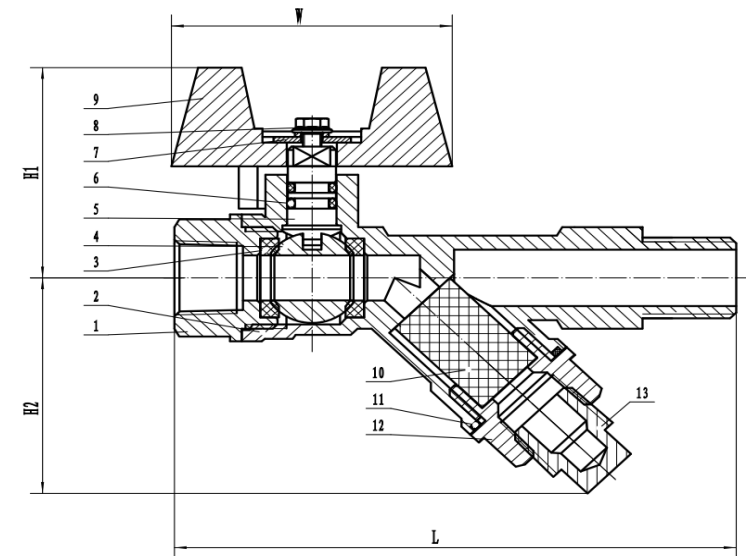
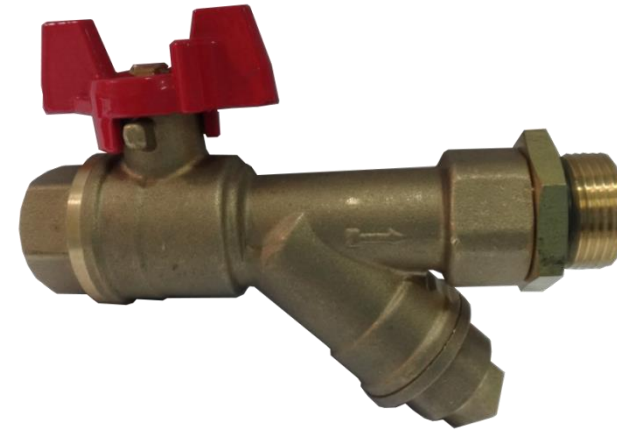
In: Inch (mm)

Item #	Size	L	L0	H1	H2	W	D
DBVY-25EL	1/4"M x 1/4"F	4.07" (103.5)	4.39" (28)	1.10" (37.2)	1.44" (36.6)	1.79" (45.4)	0.32"(Φ8)
DBVY-33EL	3/8"M x 3/8"F	4.02" (102)	1.93" (49)	1.54" (39)	1.49" (38)	1.79" (45.4)	0.47"(Φ12)
DBVY-50EL	1/2"M x 1/2"F	4.76" (121)	2.01" (51)	1.73" (44)	1.61" (41)	1.79" (45.4)	0.59"(Φ15)
DBVY-75EL	3/4"M x 3/4"F	5.91" (150)	2.36" (60)	1.73" (53)	1.61" (50)	1.79" (45.4)	0.75"(Φ19)

3.2 Y Strainer Brass Ball Valve With Female Inlet & Male Outlet

- ◆ Working Pressure: 800 PSI (WOG)
- ◆ Temperature Range: -40°F to 365°F (-40°C to 185°C)
- ◆ PTFE Seals
- ◆ Blow Out Proof Stem
- ◆ Forged Brass Construction
- ◆ Full Port
- ◆ Replacement screen: 20/50/80 mesh
- ◆ T Handle Allows Quarter Turn Operation

Part #	Part Name	Material
1	Cap	Brass
2	Body	Brass
3	Seat	PTFE
4	Ball	Brass
5	Stem	Brass
6	O-ring	NBR
7	Washer	Steel
8	Screw	Steel
9	Handle	Al.
10	Screen	S.S.





Intech Industries Manufacturing Co.,Ltd

11	Washer	PTFE
12	Cap	Brass
13	Plug	Brass

In: Inch (mm)

Item #	Size	L	H1	H2	W
DBVY-25	1/4"M x 1/4"F	3.54" (90)	1.10" (37.2)	1.44" (36.6)	1.79" (45.4)
DBVY-33	3/8"M x 3/8"F	3.54" (90)	1.54" (39)	1.49" (38)	1.79" (45.4)
DBVY-50	1/2"M x 1/2"F	4.17" (106)	1.73" (44)	1.61" (41)	1.79" (45.4)
DBVY-75	3/4"M x 3/4"F	5.35" (136)	2.13" (54)	1.93" (49)	1.79" (45.4)

3.3 Y Strainer Brass Ball Valve With Male Inlet & Female Outlet

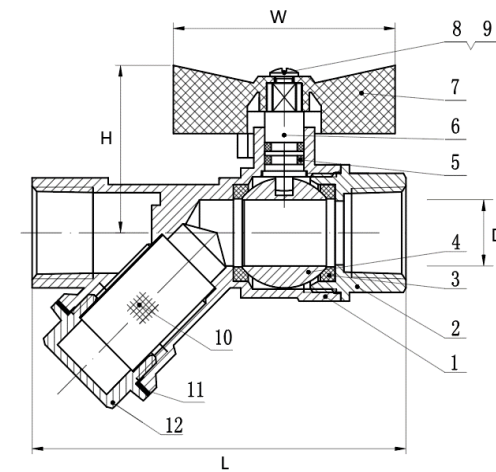
- ◆Working Pressure:600 PSI (WOG)
- ◆Temperature Range:-40°F to 365°F(-40°C to 185°C)
- ◆PTFE Seals
- ◆Blow Out Proof Stem

Professional & One-Stop Service
-Manufacturing -Customerized -Sourcing&Trading -Stocking



- ◆ Forged Brass Construction
- ◆ Full Port
- ◆ Replacement screen:20/50/80 mesh
- ◆ T Handle Allows Quarter Turn Operation

Part #	Part Name	Material
1	Body	Brass
2	Caps	Brass
3	Seat	PTFE
4	Ball	Brass
5	O-ring	Viton
6	Stem	Brass
7	Handle	Steel
8	Washer	Steel
9	Nut	Steel
10	Screen	304S.S
11	Sealing	PTFE
12	Cap	Brass



Item #	Size	L	D	W	H
BVYM-50	1/2" M x F	3.66" (92.96)	0.59" (14.98)	2.13" (54.10)	1.48" (37.59)
BVYM-75	3/4" M x F	4.39" (111.50)	0.75" (19.05)	2.13" (54.10)	1.96" (49.78)

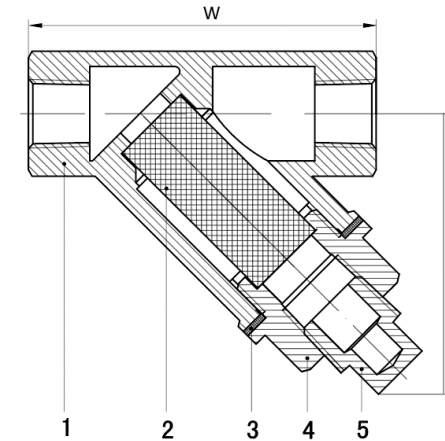
3.4 Y Strainer

- ◆ Ideal for installations upstream to protect pumps, control valves, regulators, meters, etc. from rust, pipe scale and dirt.
- ◆ Available in Casting brass, Forged brass and Casting Stainless Steel.
- ◆ Self cleaning can be accomplished by opening the plug connected to the blow-off outlet.
- ◆ YBS Series is heavy duty casting body, but with bigger moulded cavity.
- ◆ 400PSI WOG for the sizes up to 1". 300PSI WOG for the 1" above.
- ◆ Temperature Range: -10°F to 250°F (-25 °C ~ +120 °C).
- ◆ 304 Stainless Steel 50 Mesh Screen 1/4" - 1", 20 Mesh Screen 1" above.
- ◆ YSFB Series is brass forged, compact design, 600PSI WOG for the sizes up to 2" .
- ◆ Temperature Range: -20°F to 425°F (-30 °C ~ +220 °C).
- ◆ 304 Stainless Steel 50 Mesh Screen 1/4" - 1", 20 Mesh Screen 1" above.
- ◆ YSS316 Series is in 316 Stainless steel body and cap . 800PSI WOG for the sizes up to 3" .
- ◆ Temperature Range: -20°F to 450°F (-30 °C ~ +230 °C).
- ◆ 316 Stainless Steel Screen 50 Mesh



YBS Series ,Sand Casting Brass Body

Part#	Part Name	Material
1	Body	Brass
2	Screen	Stainless Steel
3	Seal	Teflon
4	Cap	Brass
5	Plug	Brass



In: Inch(mm)

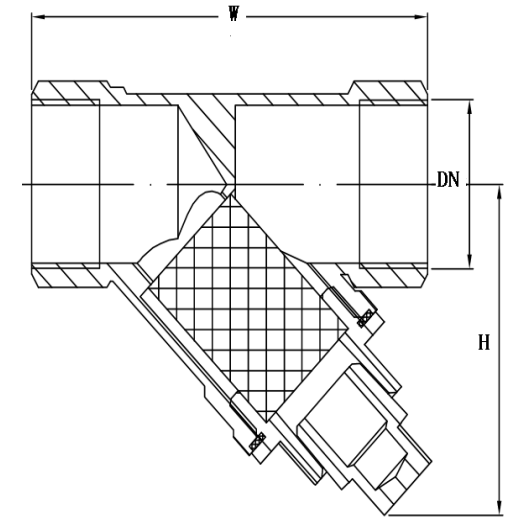
Item #	Size	H		W	
		Inch	mm	Inch	mm
YBS-25	1/4"	1.97	50	2.68	68
YBS-33	3/8"	1.97	50	2.68	68
YBS-50	1/2"	1.97	50	2.68	68
YBS-75	3/4"	2.36	59	3.92	100
YBS-100	1"	2.64	67	4.53	115

YBS-125	1-1/4"	3.19	81	5.39	137
YBS-150	1-1/2"	3.43	87	6.26	159
YBS-200	2"	4.29	108	7.48	190

YSFB Series , Forged Brass Body

In: Inch(mm)

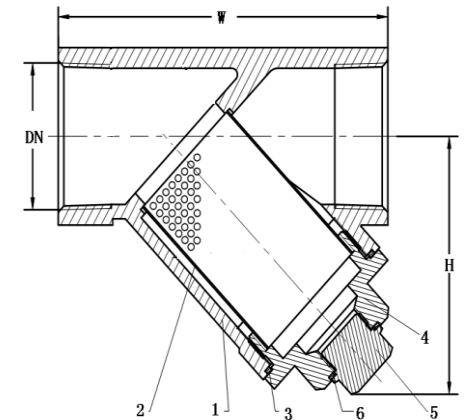
Item #	Size	H		W	
		Inch	mm	Inch	mm
YSFB-25	1/4"	1.5	38	1.97	50
YSFB-33	3/8"	1.5	38	1.97	50
YSFB-50	1/2"	1.97	50.04	2.36	60
YSFB-75	3/4"	2.09	53.09	2.76	70
YSFB-100	1"	2.24	56.90	2.95	75
YSFB-125	1-1/4"	2.76	70.10	3.54	90
YSFB-150	1-1/2"	2.99	75.95	4.09	104
YSFB-200	2"	3.35	85.09	5	127



Stainless Steel Cast Body

In: Inch(mm)

Item #	Size	H		W	
		Inch	mm	Inch	mm
YSS316-25	1/4"	1.85	47	2.52	64
YSS316-33	3/8"	1.85	47	2.52	64





YSS316-50	1/2"	1.85	47	2.56	65
YSS316-75	3/4"	2.24	57	3.07	78
YSS316-100	1"	2.64	67	3.54	90
YSS316-125	1-1/4"	2.83	72	4.17	106
YSS316-150	1-1/2"	3.15	80	4.69	119
YSS316-200	2"	3.66	93	5.51	140
YSS316-250	2-1/2"	4.92	125	7.08	180
YSS316-300	3"	5.51	140	7.87	200

4.Check Valve

4.1Brass Y-Pattern Check Valve

- ◆Working Pressure:400PSI (WOG)up to 1" and 300PSI 1" above,150PSI stream.
- ◆Body: Heavy Duty Cast Brass, Female x Female NPT threaded ends
- ◆Hard Sealing.

Part#	Part Name	Material
1	Cap	Brass
2	Body	Brass
3	Disc	Brass
4	Baffle	Brass
5	Lock Nut	Brass



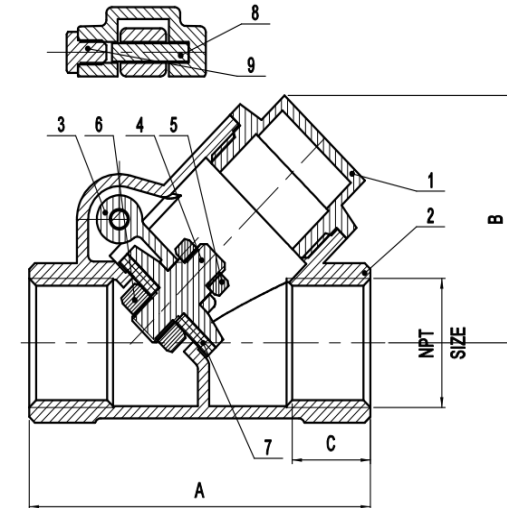


Intech Industries Manufacturing Co.,Ltd

6	Lock Nut	Brass
7	Seat	PTFE
8	Hing Pin	Brass
9	Bolt	Brass

In: Inch (mm)

Item # 货号	DN	A	B	C
YCV-50	1/2"	2.36/59.94	1.65/41.91	0.54/13.72
YCV-75	3/4"	2.76/70.10	1.97/50.04	0.57/14.48
YCV-100	1"	3.4/86.36	2.28/57.91	0.7/17.78
YCV-150	1-1/2"	4.57/116.08	3.15/80.01	0.71/18.03
YCV-200	2"	5.03/127.76	3.84/97.54	0.79/20.07



4.2 In Line Check Valves Vertical or Horizontal

- ◆ Working Pressure: 250 PSI
- ◆ Temperature Range: -40° to 450°F(-40°to 230°C)
- ◆ Cracking Pressure: 3 PSI
- ◆ Applications: Air Compressor Discharge Lines , may also used on water or oil lines

Professional & One-Stop Service
-Manufacturing -Customerized -Sourcing&Trading -Stocking



Intech Industries Manufacturing Co.,Ltd

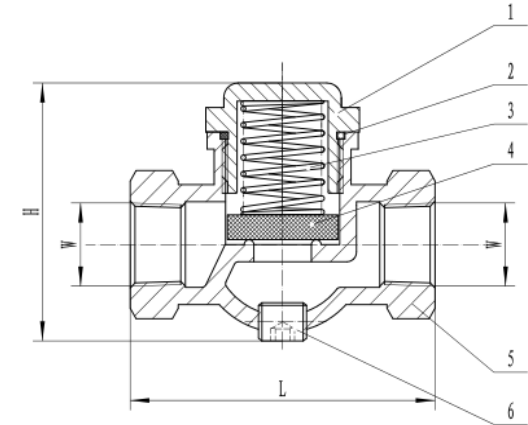
- ◆ Construction: Bronze Body, Corrosion Resistant Stainless Steel
- ◆ Spring to Ensure Long Life, 15% Glass Filled Teflon Poppet, C360
- ◆ Machined Brass Cap, 1/8 NPT Unloader Port is Standard
- ◆ Repairable

Part#	Part Name	Material
6	Plug	Brass
5	Body	Bronze
4	Gasket	PTPF
3	Spring	S.Steel
2	O-ring	HNBR
1	Cap	Brass



Item#	Size	W	L		H	
			In.	mm	In.	mm
	1/8"	1/8	1.75	44.45	1.63	41.40
	1/4"	1/4	1.75	44.45	1.63	41.40
	3/8"	3/8	2.19	55.63	1.88	47.75
	1/2"	1/2	2.50	63.50	2.13	54.10
	3/4"	3/4	2.88	73.15	2.50	63.50
	1"	1	3.50	88.90	2.88	73.15

Part#	Part Name	Material
9	Plug	Brass



Professional & One-Stop Service
-Manufacturing -Customerized -Sourcing&Trading -Stocking

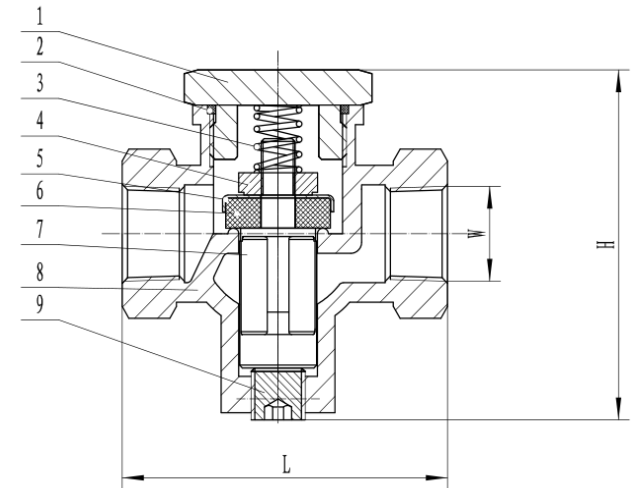


[Intech Industries Manufacturing Co.,Ltd](#)

8	Body	Bronze
7	Valve core	Bronze
6	Gasket	PTPF
5	Seal Pad	Brass
4	Nut	Brass
3	Spring	S.Steel
2	O-ring	HNBR
1	Cap	Brass



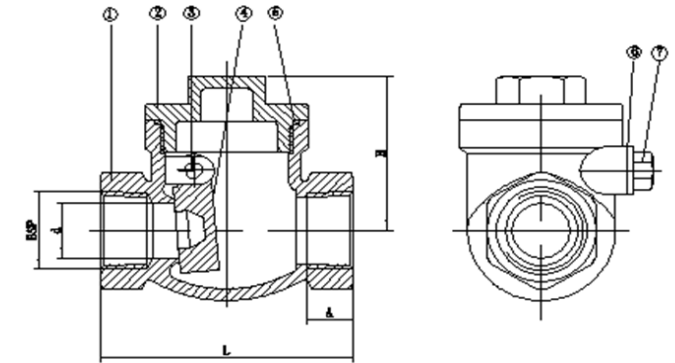
Item#	Size	W	L		H	
			In.	mm	In.	mm
	1/4"	1/4	2.19	55.63	2.38	60.45
	3/8"	3/8	2.38	60.45	2.52	64.01



4.3 316 Stainless Steel Check Valve

- ◆ Working pressure: 200PSI WOG, 125 PSI WAP
- ◆ Max temp :350°F
- ◆ Designed to prevent fluid back flow in plumbing or liquid piping systems.
- ◆ Positive seating disc allows flow only in one direction. Screw-in cap provides easy access for periodic cleaning.

Part#	Part Name	Material
1	Body	CF8M/EN1503-2
2	Cap	CF8M/EN1503-2
3	Seat	SS316
4	Disc	CF8M/EN1503-2
5	Pin	PTFE
6	Cap	PTFE
7	Body	A4-70



Item# 货号	Size 尺寸	DN	L		d		A		H	
			inch	mm	inch	mm	inch	mm	inch	mm
SSCV-50	1/2"	15	2.56	65	0.59	15	0.47	12	1.65	42
SSCV-75	3/4"	20	3.15	80	0.79	20	0.59	15	2.01	51

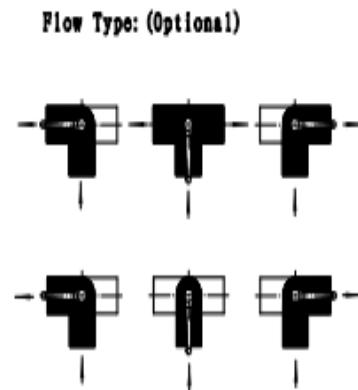
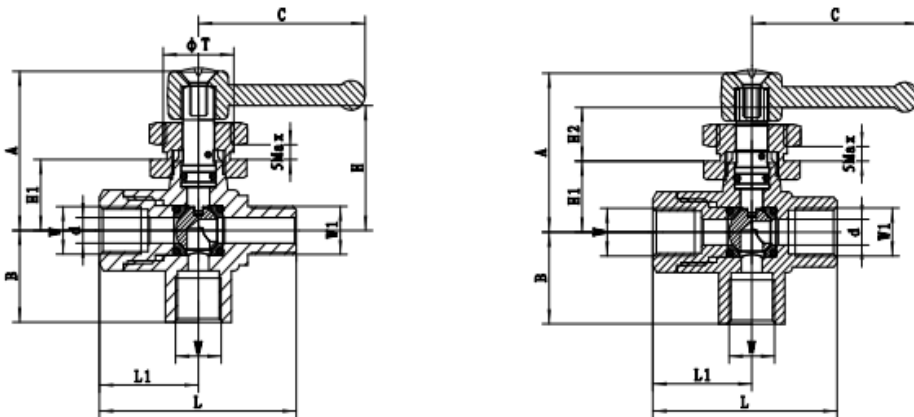
SSCV-100	1"	25	3.54	90	0.98	25	0.71	18	2.36	60
SSCV-125	1-1/4"	32	4.13	105	1.26	32	0.75	19	2.60	66
SSCV-150	1-1/2"	40	4.72	120	1.50	38	0.79	20	2.95	75
SSCV-200	2"	50	5.51	140	1.97	50	0.87	22	3.15	80

5. Panel Mountable Valve

5.1 In-Line Ball Valves-Nickel Plated Brass

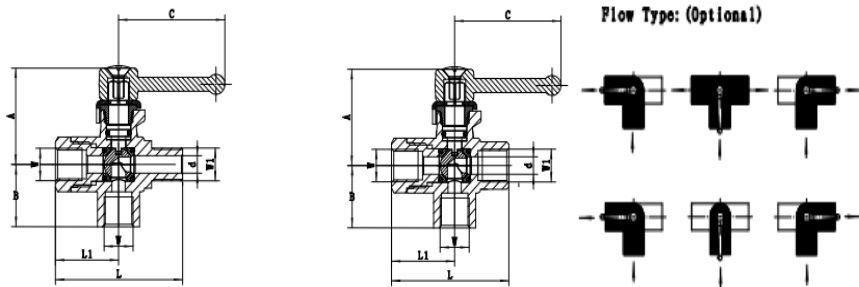
- ◆ Working pressure: 300PSI-600PSI
- ◆ Temperature Range:-40 ° to 365°F(-40 °C to +185 °C)
- ◆ Brass body nickle plated, casting surface
- ◆ Zinc alloy lever handle

Large Port Panel Mount Ball Valve-3 Way



In: Inch/mm

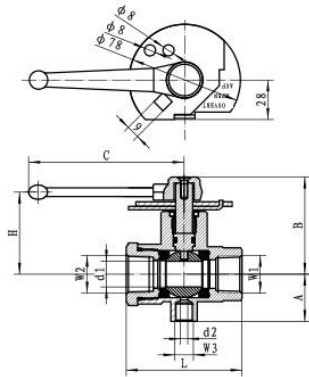
Item# 货号	L	L1	W	W1(M/F)	d	A	B	C	ΦT	H1	H2
LPVB-YT01-10	1.73"/44	0.98"/25	1/8"	1/8"	0.16"/4	1.46"/37	0.71"/18	1.89"/48	0.65"/16.5	0.55"/14	0.47"/12
LPVB-YT01-25	2.09"/53	1.10"/28	1/4"	1/4"	0.24"/6	1.77"/45	0.94"/24	1.89"/48	0.81"/20.5	0.75"/19	0.55"/14
LPVB-YT01-33	2.32"/59	1.22"/31	3/8"	3/8"	0.35"/9	1.97"/50	1.06"/27	2.72"/69	0.81"/20.5	0.83"/21	0.83"/21



In: Inch/mm

Item# 货号	L	L1	W	W1(M/F)	d	A	B	C
LPVB-T01-10	1.73"/44	0.98"/25	1/8"	1/8"	0.16"/4	1.38"/35	0.71"/18	1.89"/48
LPVB-T01-25	2.09"/53	1.10"/28	1/4"	1/4"	0.24"/6	1.50"/38	0.94"/24	1.89"/48
LPVB-T01-33	2.32"/59	1.22"/31	3/8"	3/8"	0.35"/9	1.77"/45	1.06"/27	2.72"/69

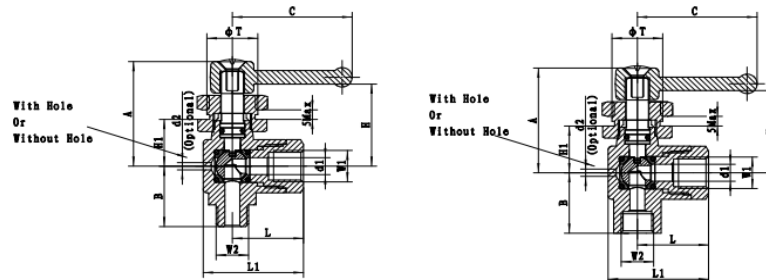
Lockable In-Line Exhaust Ball Valves



In: Inch/mm

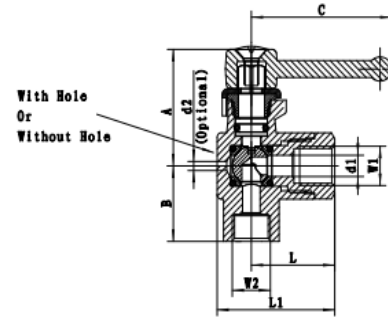
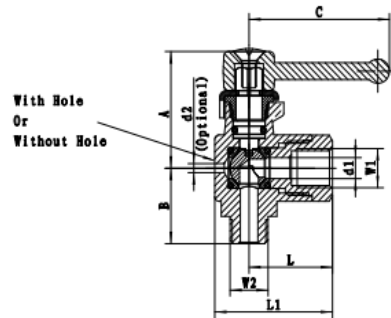
Item# 货号	L	W1(M/F)	W2	d1	W3	d2	A	B	C	H
LPVB-P01-50	2.64"/67	1/2"	1/2"	0.51"/13	G1/8"	0.08"/2	0.94"/24	2.44"/62	2.76"/70	2.24"/57
LPVB-P01-75	3.15"/80	3/4"	3/4"	0.71"/18	G1/4"	0.10"/2.5	1.30"/33	2.60"/66	4.25"/108	2.24"/57

90 Degree In-Line Ball Valves-Nickel Plated Brass



In: Inch/mm

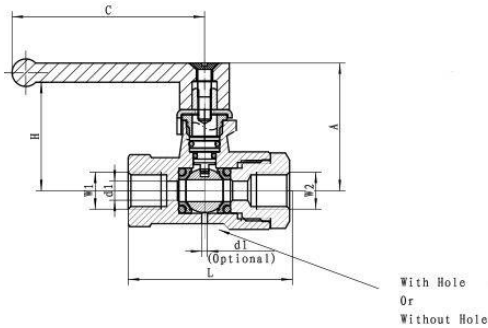
Item# 货号	L	L1	W1	W2(M/F)	d1	d2 (or None)	A	B	C	H
LPVB-YZJ01-10	1.06"/27	1.46"/37	1/8"	1/8"	0.24"/6	0.12"/3	/	0.87"/22	1.89"/48	/
LPVB-YZJ01-25	1.10"/28	1.50"/38	1/4"	1/4"	0.24"/6	0.12"/3	/	0.98"/25	1.89"/48	/
LPVB-YZJ01-33	1.22"/31	1.81"/46	3/8"	3/8"	0.35"/9	0.12"/3	/	1.10"/28	2.72"/69	/



In: Inch/mm

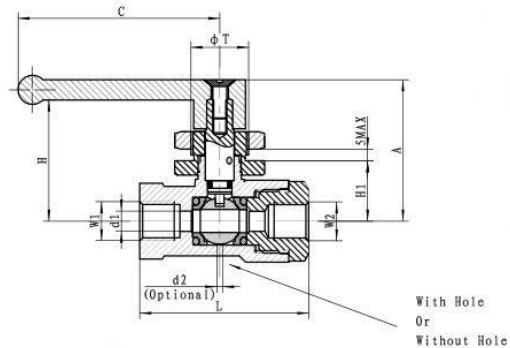
Item# 货号	L	L1	W1	W2(M/F)	d1	d2 (or None)	A	B	C
LPVB-ZJ01-10	1.46"/37	1.46"/37	1/8"	1/8"	0.24"/6	0.12"/3	1.50"/38	0.94"/24	1.89"/48
LPVB-ZJ01-25	1.50"/38	1.50"/38	1/4"	1/4"	0.24"/6	0.12"/3	1.50"/38	0.98"/25	1.89"/48
LPVB-ZJ01-33	1.81"/46	1.81"/46	3/8"	3/8"	0.35"/9	0.12"/3	1.77"/45	1.10"/28	2.72"/69

Female x Female In-Line Ball Valves-Nickel Plated Brass



In: Inch/mm

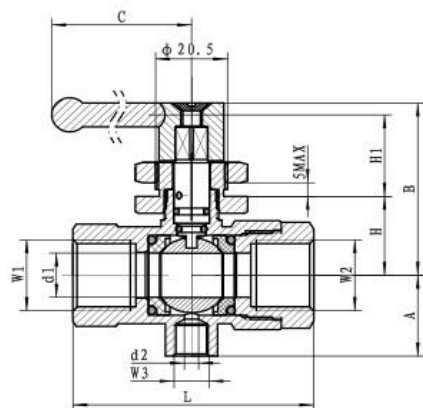
Item# 货号	L	W1	W2(M/F)	d1	d2 (or None)	A	C	H
LPVB-Z01-10	1.73"/44	1/8"	1/8"	0.16"/4	0.06"/1.5	1.38"/35	1.89"/48	1.14"/29
LPVB-Z01-25	2.32"/59	1/4"	1/4"	0.28"/7	0.08"/2	1.81"/46	2.76"/70	1.69"/43
LPVB-Z01-33	2.32"/59	3/8"	3/8"	0.39"/10	0.08"/2	1.81"/46	2.76"/70	1.69"/43



In: Inch/mm

	L	W1	W2(M/F)	d1	d2 (or None)	A	C	H	H1	ΦT
LPVB-YZ01-10	1.73"/44	1/8"	1/8"	0.16"/4	0.06"/1.5	1.46"/37	1.89"/48	1.14"/29	0.55"/14	0.65"/16.5
LPVB-YZ01-25	2.32"/59	1/4"	1/4"	0.28"/7	0.08"/2	1.97"/50	2.76"/70	1.69"/43	0.79"/20	0.81"/20.5
LPVB-YZ01-33	2.32"/59	3/8"	3/8"	0.04"/1	0.08"/2	1.97"/50	2.76"/70	1.69"/43	0.79"/20	0.81"/20.5

Exhaust In-Line Ball Valves-Nickel Plated Brass



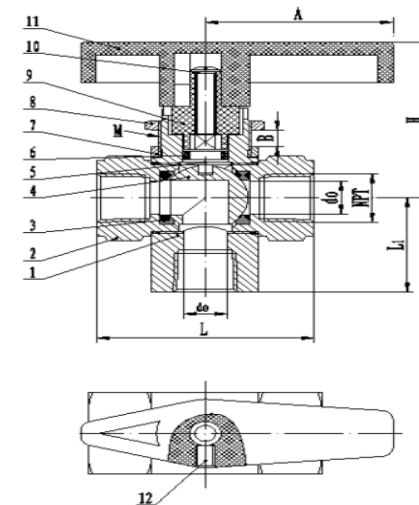
In: Inch/mm

Item# 货号	L	W1(M/F)	W2	d1	W3	d2	A	B	C	H
LPVB-YP01-25	2.32"/59	1/4"	1/4"	0.28"/7	M5	0.10"/2.5	0.67"/17	1.97"/50	2.76"/70	0.79"/20
LPVB-YP01-33	2.32"/59	3/8"	3/8"	0.39"/10	M5	0.10"/2.5	0.10"/2.5	1.97"/50	2.76"/70	0.79"/20
LPVB-YP01-50	2.64"/67	1/2"	1/2"	0.51"/13	G1/8"	0.10"/2.5	0.94"/24	2.05"/52	2.76"/70	0.91"/23

5.2 3- Way Brass Ball Valve ,Panel Mountable ,500PSI

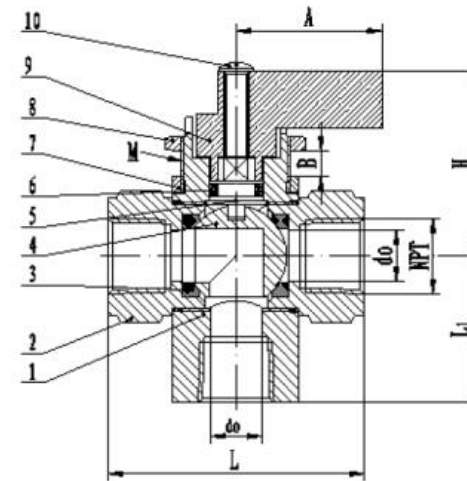
- ◆ Working Pressure: 500PSI WOG
- ◆ Temperature Range: -40 °F to +300 °F (-40 °C to +150 °C)
- ◆ Full port for 1/8" to 3/8" . Standard Port for 1/2"
- ◆ NPT Female Ends
- ◆ Panel-mount hole is 13/16" Dia.
- ◆ Brass body and cap ,PTFE ball seats ,Viton Stem sealing ,Brass Chrome plated ball
- ◆ Available Handles :Nylon Tee Handle and Zinc Wedge Handle

Part #	Part Name	Material
10	Connector Screw	Steel
9	Connector	Zinc
8	Up Panel Mounting Nut	Brass
7	Bottom Panel Mounting Nut	
6	O-Ring	Viton
5	Stem	Brass
4	Ball	Brass,Cr.
3	Ball Seats	PTFE



2	Caps	Brass
1	Body	Brass

Part #	Part Name	Material
9	Handle	Zinc
8	Up Panel Mounting Nut	Brass
7	Bottom Panel Mounting Nut	Brass
6	O-Ring	Viton
5	Stem	Brass
4	Ball	Brass,Cr.
3	Ball Seats	PTFE
2	Caps	Brass
1	Body	Brass



In:Inch (mm)

Item#	Size	Handle	A		H		L1		L		do	
			Inch	mm	Inch	mm	Inch	mm	Inch	mm	Inch	mm
1WMX6	1/2" x 1/2" x 1/2"	Nylon Tee Handle	1.54	38.99	1.73	43.99	1.10	27.99	2.28	57.91	0.43	11.00
1WMX5	3/8" x 3/8" x 3/8"	Nylon Tee Handle	1.54	38.99	1.65	41.99	0.98	24.99	1.88	47.75	0.38	9.53



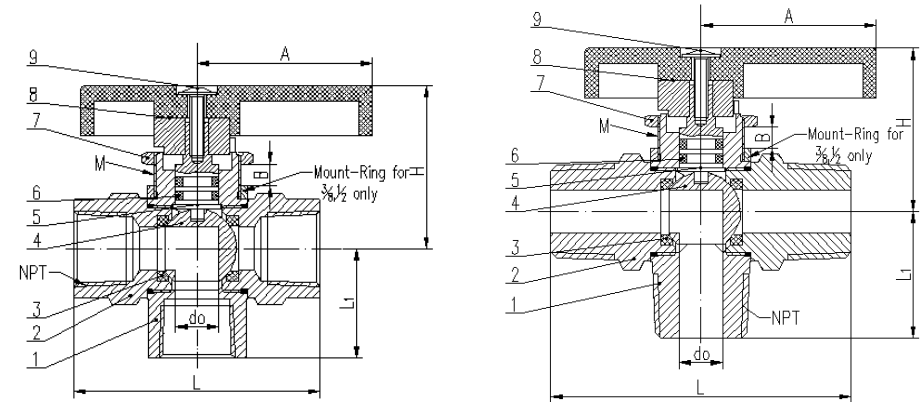
1WMX4	1/4" x 1/4" x 1/4"	Nylon Tee Handle	1.54	38.99	1.65	41.99	0.98	24.99	1.77	44.96	0.37	9.50
1WMX3	1/8" x 1/8" x 1/8"	Nylon Tee Handle	1.54	38.99	1.65	41.99	0.79	19.99	1.57	39.88	0.28	6.99
1WMX2	1/2" x 1/2" x 1/2"	Zinc Wedge	1.02	25.98	1.34	33.99	1.10	27.99	2.28	57.91	0.43	11.00
1WMX1	3/8" x 3/8" x 3/8"	Zinc Wedge	1.02	25.98	1.26	31.98	0.98	24.99	1.88	47.75	0.38	9.53
1WMW9	1/4" x 1/4" x 1/4"	Zinc Wedge	1.02	25.98	1.26	31.98	0.98	24.99	1.77	44.96	0.37	9.50
1WMW8	1/8" x 1/8" x 1/8"	Zinc Wedge	1.02	25.98	1.26	31.98	0.79	19.99	1.57	39.88	0.28	6.99

5.3 3-Way Panel Mount Brass Ball Valve

- ◆ Working Pressure:
- ◆ 1500PSI WOG for 1/8" to 1/4"
- ◆ 1000PSI WOG for Bottom Port on 3/8" to 1/2". 600PSI WOG for Side Port on 3/8" and 1/2".
- ◆ Vacuum Rating :29.92" Hg
- ◆ Temperature Range: -40 °F to +300 °F (-40 °C to +150 °C)
- ◆ Full port for 1/8" to 3/8" . Standard Port for 1/2"
- ◆ Panel-mount hole is 9/16" Dia.
- ◆ Brass body and cap ,PTFE ball seats ,Viton Stem sealing ,Brass Chrome plated ball
- ◆ Available connection : NPT Female ,NPT Male and Yor-Lok Tube Fittings (Double Ferrule)
- ◆ Available Handles :Nylon Tee Handle and Zinc Wedge Handle



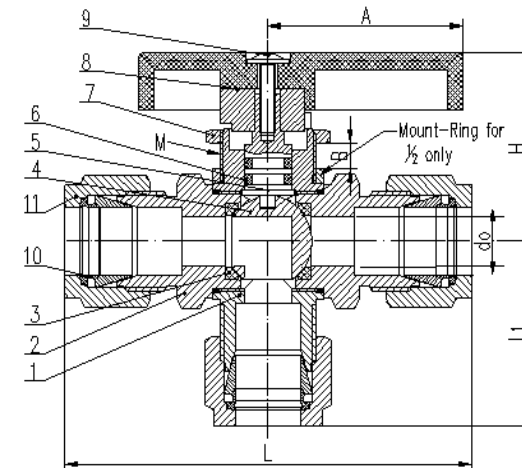
Part #	Part Name	Material
9	Screw	Steel
8	Handle	Plastic
7	Panel Mount Nut	Brass
6	O-Rings	Viton
5	Stem	Brass
4	Ball	Brass,Cr.
3	Ball Seats	PTFE
2	Caps	Brass
1	Body	Brass



Item#	Size	Connections	L		L1		do		B (Max Panel Thickness)		A		H	
			Inch	mm	Inch	mm	Inch	mm	Inch	mm	Inch	mm	Inch	mm
			1WMV8	1/2"	F x F	2.60	65.99	1.30	32.99	0.39	9.98	0.16	3.99	1.54

1WMV7	3/8"	F x F	2.13	53.98	0.94	23.98	0.39	9.98	0.16	3.99	1.54	38.99	1.42	35.99
1WMV6	1/4"	F x F	1.89	47.98	0.86	21.89	0.31	7.98	0.16	3.99	1.18	30.00	1.30	32.99
1WMV5	1/8"	F x F	1.89	47.98	0.86	21.89	0.24	5.99	0.16	3.99	1.18	30.00	1.30	32.99
1WMW3	1/2"	M x M	1.10	27.99	1.10	27.99	0.39	9.98	0.16	3.99	1.54	38.99	1.50	38.00
1WMW2	3/8"	M x M	2.48	62.99	1.04	26.49	0.39	9.98	0.16	3.99	1.54	38.99	1.42	35.99
1WMW1	1/4"	M x M	2.05	51.99	0.87	22.00	0.31	7.98	0.16	3.99	1.18	30.00	1.30	32.99
1WMV9	1/8"	M x M	1.97	49.99	0.86	21.89	0.24	5.99	0.16	3.99	1.18	30.00	1.30	32.99

Part #	Part Name	Material
11	Ferrule Nut	Brass
10	Ferrules	Brass
9	Screw	Steel
8	handle	Plastic





Intech Industries Manufacturing Co.,Ltd

7	Panel Mount Nut	Brass
6	O-Rings	Viton
5	Stem	Brass
4	Ball	Brass,Cr.
3	Ball Seats	PTFE
2	Caps	Brass
1	Body	Brass

In:Inch(mm)

Item#	Connections	L		do		B (Max Panel Thickness)		A		L1		H	
		Inch	mm	Inch	mm	Inch	mm	Inch	mm	Inch	mm	Inch	mm
1WMW7	1/2" Yok-Lok Tubing	3.11	78.9 9	0.39	9.98	0.16	4.05	1.54	38.99	1.38	35.05	1.50	38.10
1WMW6	3/8" Yok-Lok Tubing	2.68	68.0 7	0.24	6.10	0.16	4.06	1.54	39.12	1.22	30.99	1.41	35.81
1WMW5	1/4" Yok-Lok Tubing	2.59	65.7 9	0.20	5.08	0.16	4.06	1.18	29.97	1.14	28.96	1.30	33.02
1WMW4	1/8" Yok-Lok Tubing	2.48	62.9 9	0.09	2.29	0.16	4.06	1.18	29.97	1.08	27.43	1.30	33.02

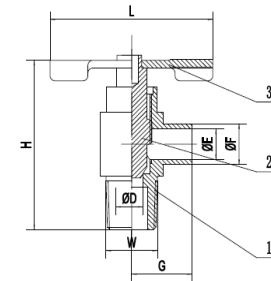
6.Drain Cock

6.1 90° Angle Internal Seal Drain Cock

- ◆Working Pressure: 150PSI
- ◆Temperature Range: -65°F to +250°F (-55° to +120°C)
- ◆Metal to Metal seals,Brass Body,Brass Stem
- ◆Nickle plated Steel T Handle

Straight Outlet

Part #	Part Name	Material
1	Body	Brass
2	Stem	Brass
3	Handle	Steel,Nickle Plated



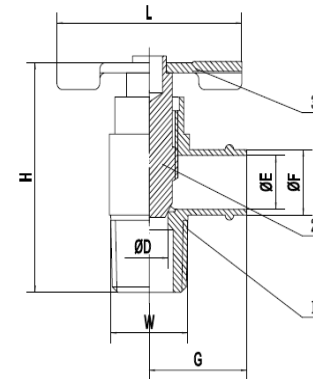
In:Inch(mm)

Item#	W	ØD	G	ØE	ØF	H	L
DCA-12	1/8NPT	0.18/4.5	0.47/12	0.24/6	0.31/8	1.30/33.1	1.27/32.3
DCA-25	1/4NPT	0.26/6.5	0.63/16	0.31/8	0.38/9.7	1.34/34.1	1.27/32.3

Single Barb Outlet

Part #	Part Name	Material
--------	-----------	----------

[Professional & One-Stop Service](#)
[-Manufacturing -Customerized -Sourcing&Trading -Stocking](#)





Intech Industries Manufacturing Co.,Ltd

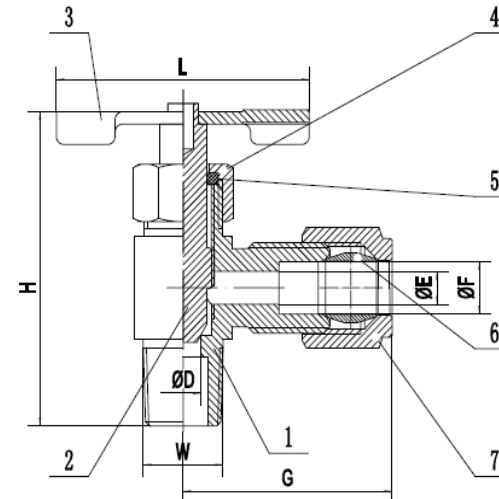
1	Body	Brass
2	Stem	Brass
3	Handle	Steel,Nickle Plated

In:Inch(mm)

Item# 货号	W	ΦD	G	ΦE	ΦF	H	L
DCA-25-F	1/4NPT	0.26/6.5	0.67/17	0.31/8	0.38/9.7	1.34/34.1	1.27/32.3

With Compression Outlet

Part #	Part Name	Material
1	Body	Brass
2	Stem	Brass
3	Handle	Steel,Nickle Plated
4	Nut	Brass
5	O-Ring	EPDM
6	Sleeve nut	H62
7	Sleeve nut	Brass



In:Inch(mm)

Item#	W	ΦD	G	ΦE	ΦF	H	L
DCA-12-Tubing	1/8NPT	0.18/4.5	1.05/26.7	0.16/4	0.25/6.35	1.50/38.1	1.27/32.3

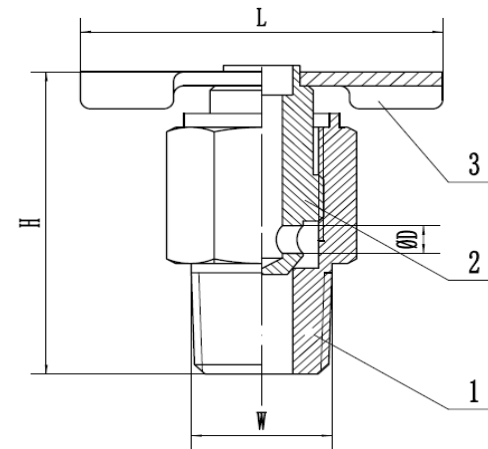
6.2 T-Handle Internal Seal Drain Cock

- ◆ Working Pressure: 150PSI
- ◆ Temperature Range: -65°F to +250°F (-55° to +120°C)
- ◆ Metal to Metal seals, Brass Body, Brass Stem, T Handle
- ◆ Manufactured for use with low pressure air, water, gas and certain other fluids.

Part #	Part Name	Material
1	Body	Brass
2	Stem	Brass
3	Handle	Steel, Nickle Plated

In:Inch(mm)

Item#	W	ΦD	H	L
DCI-25	1/4NPT	0.12/3	1.32/33.5	1.38/35



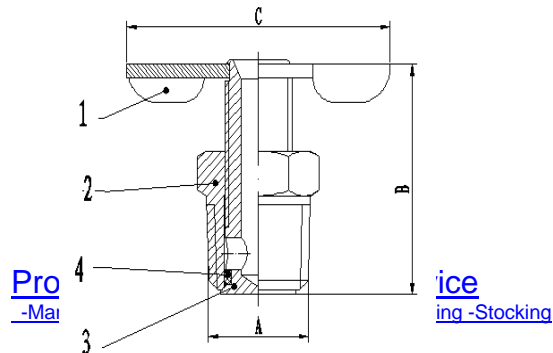
6.3 External Seal Drain Cock

- ◆ Body and stem: Brass, stainless steel is also available.
- ◆ Nickel plated Steel T Handle
- ◆ Working Pressure: 150PSI
- ◆ Temperature Range: -65°F to +250°F (-55° to +120°C)
- ◆ 1/4" Male NPT ,DCEO style is with Viton O-Ring sealing,
- ◆ DCE style is with metal to metal sealing.
- ◆ Drain Cocks --- Both external -seat and internal seat drain cocks are manufactured to the highest quality standards .
- ◆ Hand-tightening provides a metal to metal seal .
- ◆ For use with low pressure air ,water ,gas and certain other fluids.

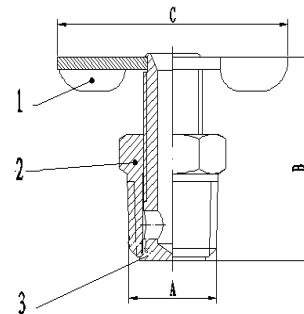


Part #	Part Name	Material
1	Handle	Nickle Plated Steel
2	Body	Brass Brass,S.S304
3	Stem	Brass Brass,S.S304
4	Stem Sealing	Viton (DECO Only)

For DCEO



For DCE



In:Inch(mm)

Item#	A	B		C		
		Inch	mm	Inch	mm	
Brass Body and Stem						
DCEO-12	DCE-12	1/8" NPT Male	0.86	21.84	1.25	31.75
DCEO-25	DCE-25	1/4" NPT Male	1.02	25.91	1.37	34.80
DCEO-33	DCE-33	3/8" NPT Male	1.22	30.99	1.69	42.93
DCEO-50	DCE-50	1/2" NPT Male	1.49	37.85	2.00	50.80
S.S304 Body and Stem						
DCEO-12-304	DCE-12-304	1/8" NPT Male	0.86	21.84	1.25	31.75
DCEO-25-304	DCE-25-304	1/4" NPT Male	1.02	25.91	1.37	34.80
DCEO-33-304	DCE-33-304	3/8" NPT Male	1.22	30.99	1.69	42.93
DCEO-50-304	DCE-50-304	1/2" NPT Male	1.49	37.85	2.00	50.80

6.4 Drain Cock With Water Guide

- ◆ Working Pressure: 150PSI
- ◆ Temperature Range: -65°F to +250°F (-55°~ +120°C)

Professional & One-Stop Service
[-Manufacturing -Customerized -Sourcing&Trading -Stocking](#)

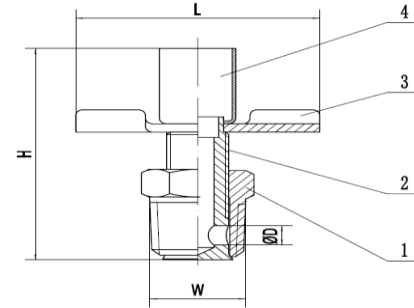




Intech Industries Manufacturing Co.,Ltd

- ◆Metal to Metal seals,Brass Body,Brass Stem ,With Water Guide
- ◆Manufactured for use with low pressure air,water,gas and certain other fluids.

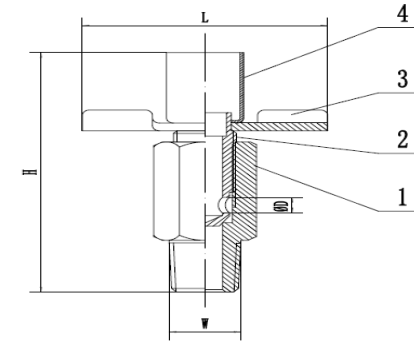
Part #	Part Name	Material
1	Body	Brass
2	Stem	Brass
3	Handle	Steel,Nickle Plated
4	Cap	S.S 304



External Seal Drain Cock

In:Inch(mm)

Item# 货号	W	ΦD	H	L
DCO-25	1/4NPT	0.14/3.5	1.50/38.1	1.38/35



Internal Seal Drain Cock

In:Inch(mm)

Item# 货号	W	ΦD	H	L
DCI-12	1/8NPT	0.12/3	1.82/46.3	1.38/35

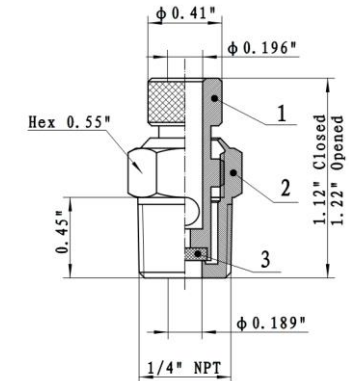
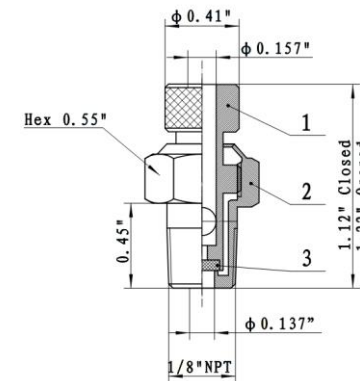
6.5 Knurled Nut Drain Cock

- ◆ Working Pressure: 150PSI
- ◆ Temperature Range: -65°F to +250°F (-55° to +120°C)
- ◆ Brass Body and Stem ,with Rubber Pad sealing
- ◆ Designed for applications where the traditional Drain cock is easily damaged
- ◆ Opens and Closes Easily
- ◆ 1/4" or 1/8" Male Connection



Part #	Part Name	Material
1	Stem	Brass
2	Body	Brass
3	Sealing	Silicone rubber

Item#	Size
DC25-XH	1/4"
DC18-XH	1/8"

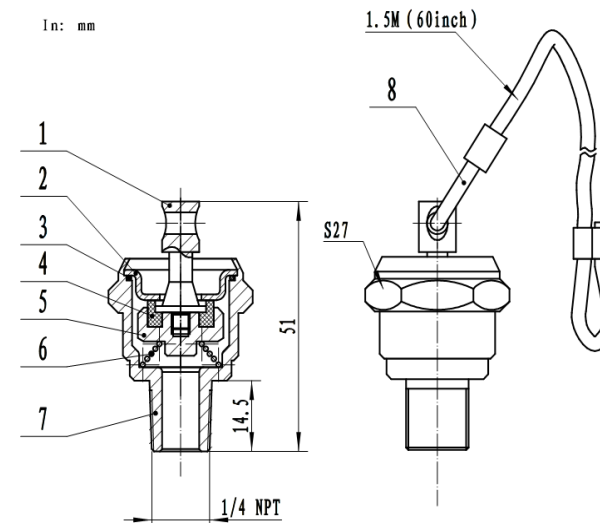


6.6 Pull Cord Drain cocks

- ◆Maximum Pressure:150 PSI
- ◆Maximum Temperature:200°F
- ◆Pull Cord Drain Valve, Forged brass body
- ◆1/4" Male NPT ,With 60" long pull cord
- ◆Applications: Industrial and Automotive
- ◆Brass Stem Tilts to Open the Valve at Minimu Pull Cord Force
- ◆Stainless Steel Spring Returns the Stem to Positively Seal Against the Nitrile O-Ring when Force on the Cord is Release
- ◆Construction :Brass Body ,Washer and Stem
- ◆Also called Lanyard valve ,A pulling action exerted on the cable cocks them stem,allowing condensate to pass through the valve. Releasing the cable resets the stem which returns the valve to its closed position .



Part #	Part Name	Material
8	Card	S.S304
7	Body	Brass
6	Spring	S.S304
5	Spring Seat	Brass
4	Rubber Gasket	Rubber
3	O-ring	Rubber
2	Washer	Steel





[Intech Industries Manufacturing Co.,Ltd](#)

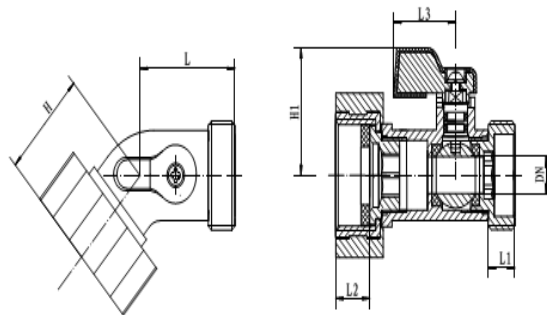
1	Stem	Steel
---	------	-------

Item#	Size	Cable length(Ft)
	1/4"NPT	

7.Garden valves

7.1 45 Degree Garden valves

- ◆Working Pressure: 360PSI
- ◆Temperature Range:-4° to 250°F (-20° to 120°C)
- ◆Forged Brass Body
- ◆Brass Handle With Rubber Cover
- ◆Size: 3/4"

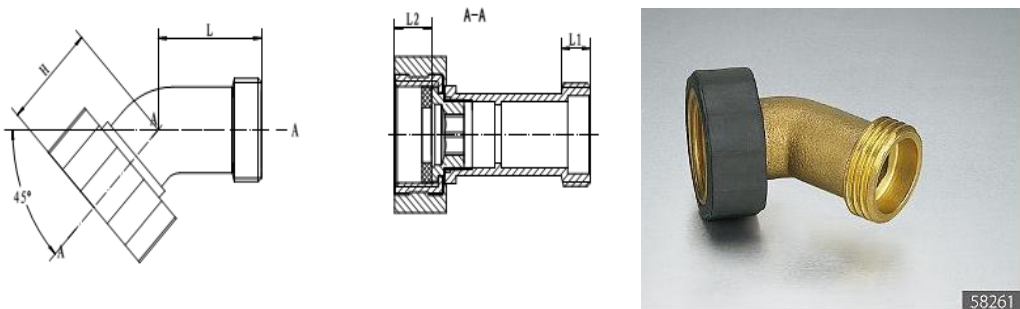


[Professional & One-Stop Service](#)
[-Manufacturing -Customerized -Sourcing&Trading -Stocking](#)

Item#	Size	L		L1		L2		L3		H		H1		DN	
		inch	mm	inch	mm	inch	mm	inch	mm	inch	mm	inch	mm	inch	mm
58260	3/4-11.5NH	1.26	32	0.35	9	0.45	11.5	0.81	20.5	1.14	29	1.22	31	0.35	9

7.2 45 Degree Garden valves

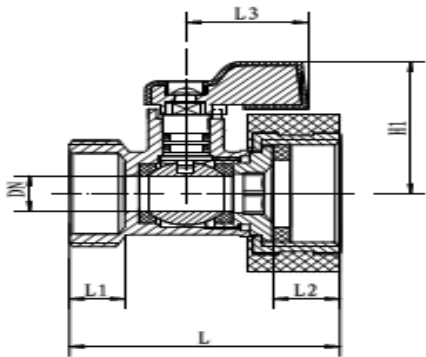
- ◆ Working Pressure: 360PSI
- ◆ Temperature Range: -4° to 250°F (-20° to 120°C)
- ◆ Forged Brass Body
- ◆ Brass Handle
- ◆ Size: 3/4"



Item#	Size	L		L1		L2		H	
		inch	mm	inch	mm	inch	mm	inch	mm
58261	3/4-11.5NH	1.26	32	0.35	9	0.45	11.5	1.14	29

7.3 Straight Garden valves

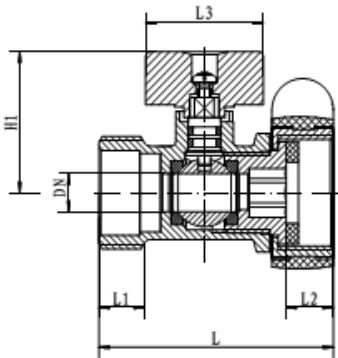
- ◆ Working Pressure: 360PSI
- ◆ Temperature Range: -4° to 250°F (-20° to 120°C)
- ◆ Forged Brass Body
- ◆ Brass Handle With Rubber Cover
- ◆ Size: 3/4"



Item#	Size	L		L1		L2		L3		H1		DN	
		inch	mm	inch	mm	inch	mm	inch	mm	inch	mm	inch	mm
58270	3/4-11.5NH	1.83	46.5	0.45	11.5	0.45	11.5	0.81	20.5	1.32	33.5	0.35	9

7.4 Straight Garden valves Working Pressure: 360PSI

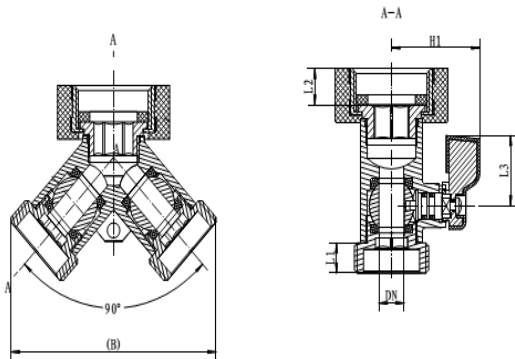
- ◆ Working Pressure: 360PSI
- ◆ Temperature Range: -4° to 250°F (-20° to 120°C)
- ◆ Forged Brass Body
- ◆ Brass Handle
- ◆ Size: 3/4"



Item#	Size	L		L1		L2		L3		H1		DN	
		inch	mm	inch	mm	inch	mm	inch	mm	inch	mm	inch	mm
58551	3/4-11.5NH	2.24	57	0.45	11.5	0.45	11.5	0.93	23.5	1.22	31	0.35	9

7.5 2-way Garden valves

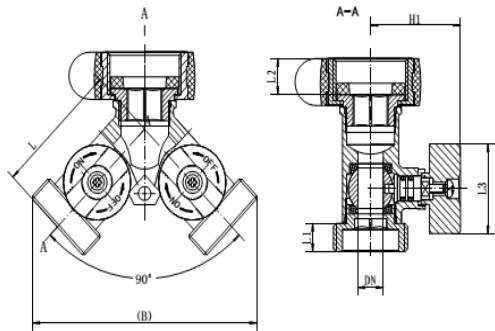
- ◆ Working Pressure: 360PSI
- ◆ Temperature Range: -4° to 250°F (-20° to 120°C)
- ◆ Forged Brass Body
- ◆ Brass Handle With Rubber Cover
- ◆ Size: 3/4"



Item#	Size	L		L1		L2		L3		H1		B		DN	
		inch	mm	inch	mm	inch	mm	inch	mm	inch	mm	inch	mm	inch	mm
58249	3/4-11.5NH	1.73	44	0.35	9	0.45	11.5	0.81	20.5	1.22	31	3.1	79	0.35	9

7.6 2-way Garden valves

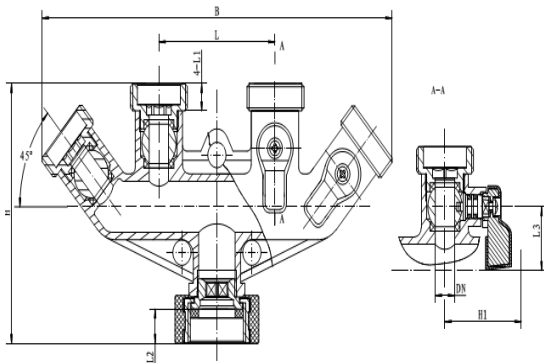
- ◆ Working Pressure: 360PSI
- ◆ Temperature Range: -4° to 250°F (-20° to 120°C)
- ◆ Forged Brass Body
- ◆ Brass Handle
- ◆ Size: 3/4"



Item#	Size	L		L1		L2		L3		H1		B		DN	
		inch	mm	inch	mm	inch	mm	inch	mm	inch	mm	inch	mm	inch	mm
58024	3/4-11.5NH	1.73	44	0.35	9	0.45	11.5	0.93	23.5	1.26	32	3.1	79	0.35	9

7.7 4-way Garden valves

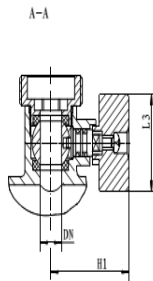
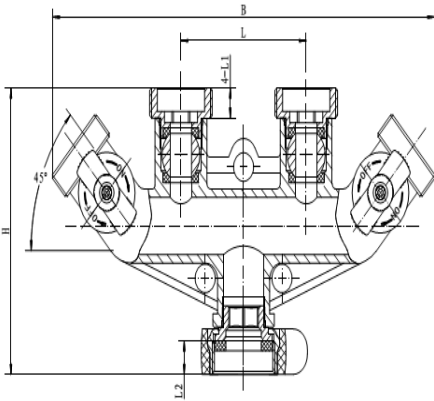
- ◆ Working Pressure: 360PSI
- ◆ Temperature Range: -4° to 250°F (-20° to 120°C)
- ◆ Forged Brass Body
- ◆ Brass Handle With Rubber Cover
- ◆ Size: 3/4"



Item#	Size	L		L1		L2		L3		H		H1		B		DN	
		inch	mm	inch	mm	inch	mm	inch	mm	inch	mm	inch	mm	inch	mm	inch	mm
621010	3/4-11.5NH	2.09	53	0.35	9	0.45	11.5	0.77	19.5	3.41	86.5	1.4	35.5	6.42	163	0.35	9

7.8 4-way Garden valves

- ◆ Working Pressure: 360PSI
- ◆ Temperature Range: -4° to 250°F (-20° to 120°C)
- ◆ Forged Brass Body
- ◆ Brass Handle
- ◆ Size: 3/4"





Item#	Size	L		L1		L2		L3		H		H1		B		DN	
		inch	mm	inch	mm	inch	mm	inch	mm	inch	mm	inch	mm	inch	mm	inch	mm
621011	3/4-11.5NH	2.09	53	0.35	9	0.39	10	1.1	28	3.35	85	1.3	33	6.42	163	0.35	9

8. Globe Stop Valve

8.1 316 Stainless Steel Globe Stop Valve

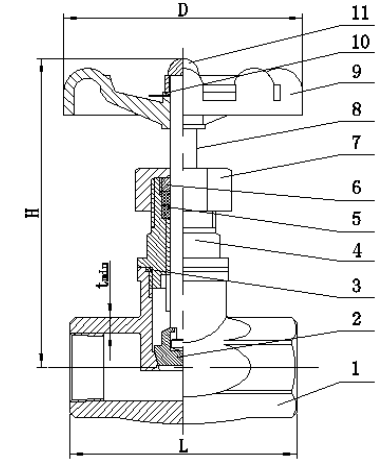
- ◆ Working Pressure: 200PSI
- ◆ Temperature Range: -20°F to 450°F (-30° to 230°C)
- ◆ Round metal handle
- ◆ The term globe valve is applied to a large variety of valves whose internal body construction provides a fixed solid barrier between the inlet and outlet side of the valve.
- ◆ Globe valve are used for primarily for throttling applications. Throttling can be accomplished with the plug raised off the seat a sufficient distance to minimize the danger of erosion due to excessive fluid velocity.

Part#	Part Name	Material
-------	-----------	----------



Intech Industries Manufacturing Co.,Ltd

11	Stem nut	SS304
10	Spin washer	SS304
9	Handle	AL
8	Stem	SS316
7	Cap nut	CF8M
6	Gland	SS316
5	Packing	PTFE
4	Bonnet	CF8M
3	Gasket	PTFE
2	Disc	CF8M
1	Body	CF8M



In:Inch(mm)



Item#	Size	DN	D		L		H	
			inch	mm	inch	mm	inch	mm
SSGSV-50	1/2"	15.00	0.59	15	2.44	62	3.94	100
SSGSV-75	3/4"	20.00	0.79	20	2.44	62	3.94	100
SSGSV-100	1"	25.00	0.98	25	2.95	75	4.84	123
SSGSV-120	1-1/4"	32.00	1.26	32	2.95	75	5.31	135

Professional & One-Stop Service
[-Manufacturing -Customerized -Sourcing&Trading -Stocking](#)

SSGSV-150	1-1/2"	40.00	1.57	40	3.74	95	5.91	150
SSGSV-200	2"	50.00	1.97	50	3.74	95	6.69	170



8.2 Bar Stock Globe Valves

- ◆WOG ratings at 100°F
- ◆FNPT connections
- ◆Rising stem
- ◆All are corrosion-resistant for use in oil, gas, or water applications. All valves come standard with threaded bonnets and malleable iron handles. ◆

Size	Inlet to Outlet Length(in.)	Brass 5000 psi WOG		Carbon Steel 10000 psi WOG	
		Item #		Item #	
1/4"	2-1/4	2GMZ6		15Z219	
3/8"	2-1/4	2GMZ7		15Z220	
1/2"	2-3/4	2GMZ8		15Z221	

8.3 Straight Globe Valves

- ◆ Max. Air Temp.: -50° to 550°F(-45° to 290°C)
- ◆ FNPT connections
- ◆ **316 STAINLESS STEEL**
Max. pressure:5000 psi WOG at 100°F
316 SS with PTFE stem packing.
- ◆ **ASTM A108 CARBON STEEL**
Max. pressure:10000 psi WOG at 100°F
Come standard with Grafoil stem packing.
- ◆ **ASTM A276 STAINLESS STEEL**
Max. pressure:10000 psi WOG at 100°F
Comes with rising ASTM A276 SS stem.

Size	Inlet to Outlet Length(in.)	316 Stainless Steel		ASTM A108 Carbon Steel		ASTM A276 Stainless Steel	
		Item #		Item #		Item #	
1/4"	2-1/4	15Z224		/		/	
3/8"	2-1/4	15Z225		/		/	
1/2"	2.75	/		/		15Z226	
3/4"	3-3/16	15Z227		/		/	



1"	3-5/8	15Z228		15Z222		/	
----	-------	--------	--	--------	--	---	--

9.Truck Valve

9.1 Forged Brass Truck Valves

- ◆Typical Application:Used extensively in the trucking industry for cooling and fuel line applications.
 - ◆Material:Forged brass bodies,steel handles.
 - ◆Pressure Range:200 psi maximum.
 - ◆Temperature Range:-40° to +250°F(-40° to +120°C)
 - ◆Conformance:
- Designed for trucking use.Not intended for natural gas,LPG,nuclear or aircraft applications.
- ◆Note:Buna-N O-ring sealed.

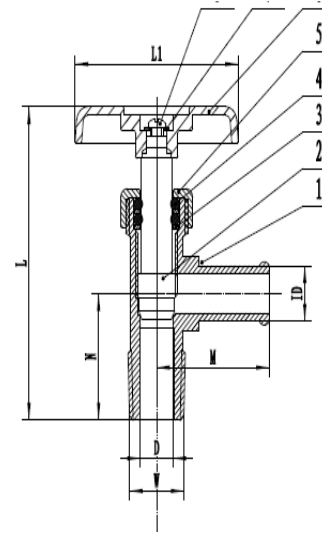
Truck Valve V404P

Hose to Male Pipe

Temperature Range:-40° to +250°F

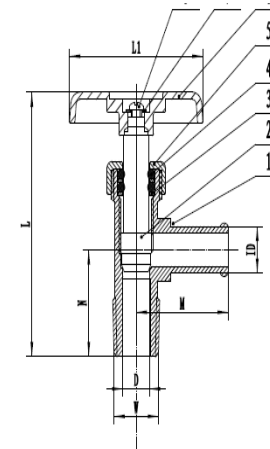


Item#	Hose I.D.	Pipe Thread	Flow	L	M	N
V404P-6-6	3/8	3/8	0.28	2.35	1.36	0.94
V404P-10-6	5/8	3/8	0.41	2.75	1.31	1.15



Truck Valve V404PH
Hose to Male Pipe with Pin Handle
Temperature Range:-40° to +250°F

Item#	Hose I.D.	Pipe Thread	Flow	L	M	N
V404PH-10-6	5/8	3/8	0.41	2.47	1.31	1.09



Truck Valve SV404P

Hose to Male Pipe

Temperature Range:-40° to +250°F

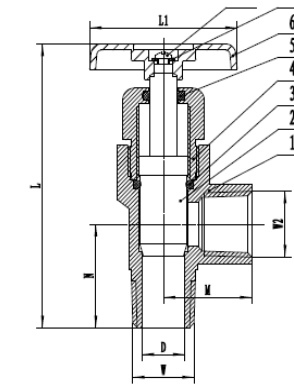
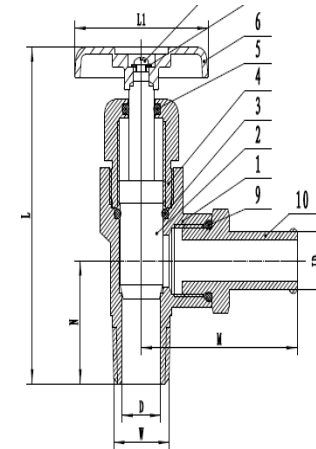
Item#	Hose I.D.	Pipe Thread	Flow	L	M	N
SV404P-10-8	5/8	1/2	0.47	3.71	2.31	1.34
SV404P-12-6	3/4	3/8	0.44	3.73	2.31	1.34
SV404P-12-8	3/4	1/2	0.56	3.73	2.31	1.34

Truck Valve V405P

Female Pipe to Male Pipe

Temperature Range:-40° to +250°F

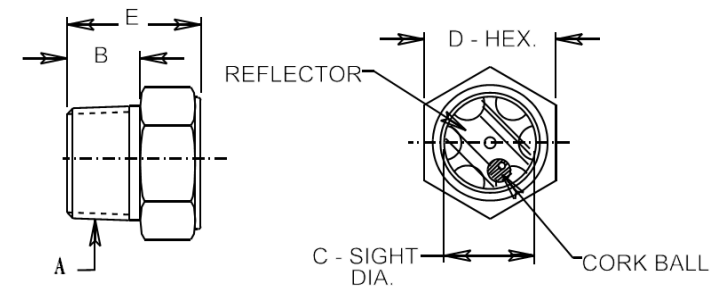
Item#	Hose I.D.	Pipe Thread	Flow	L	M	N
V405P-6-6	3/8	3/8	0.41	2.72	0.91	1.19
V404P-6-8	3/8	1/2	0.41	2.95	0.91	1.31
V404P-8-8	1/2	1/2	0.56	3.15	1.17	1.34



10.Sight Glass

10.1 High Pressure Pipe Threaded Brass Sight Glass

- ◆Solid Brass body,Heavy Duty Design
- ◆Glass sight
- ◆Buna N seal
- ◆Reflector-stainless steel
- ◆Connections with NPT、G、M、BSPP、R are customized
- ◆Maximum working temperature up to180°F (82.1°C).



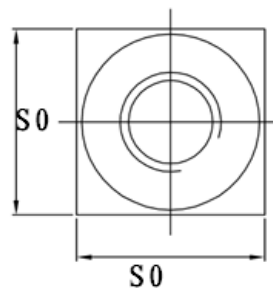
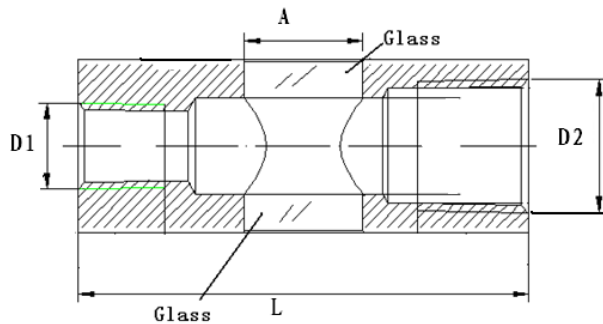
Item #			A (Male)	B	C	D	E	Max work press.PSI@ 69 F(20.6 °C)
Clear with Open view	Clear With Reflector	Clear with Reflector or Ball						
KCSGBH-02	N/A	N/A	1/4	0.50(12.7)	0.34 (8.64)	0.62(15.75)	1.12(28.45)	675(4654.1kpa)
KCSGBH-03	KCSGBH-03-01	KCSGBH-03-02	3/8	0.50(12.7)	0.44 (11.18)	0.75(19.05)	1.12 (28.45)	415(2861.4kpa)
KCSGBH-04	KCSGBH-04-01	KCSGBH-04-02	1/2	0.62(15.75)	0.56 (14.22)	0.88(22.35)	1.25 (31.75)	250(1723.8kpa)

KCSGBH-05	KCSGBH-05-01	KCSGBH-05-02	3/4	0.69 (17.53)	0.75 (19.05)	1.12(28.45)	1.25 (31.75)	200 (1379kpa)
KCSGBH-06	KCSGBH-06-01	KCSGBH-06-02	1	0.81(20.57)	0.97 (24.64)	1.44(36.58)	1.5 (38.1)	100 (689.5kpa)
KCSGBH-07	KCSGBH-07-01	KCSGBH-07-02	1-1/4	0.88(22.35)	1.19 (30.23)	1.75(44.45)	1.56 (39.62)	60 (413.7kpa)
KCSGBH-08	KCSGBH-08-01	KCSGBH-08-02	1-1/2	0.88 (22.35)	1.38 (35.05)	2.00 (50.8)	1.56 (39.62)	50 (344.8kpa)
KCSGBH-09	KCSGBH-09-01	KCSGBH-09-02	2	0.88 (22.35)	1.88 (47.75)	2.5 (63.5)	1.69 (42.93)	20 (137.9kpa)

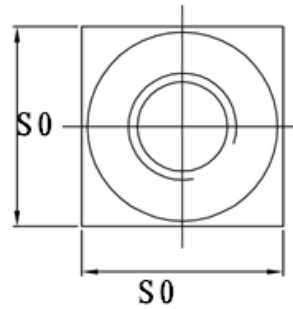
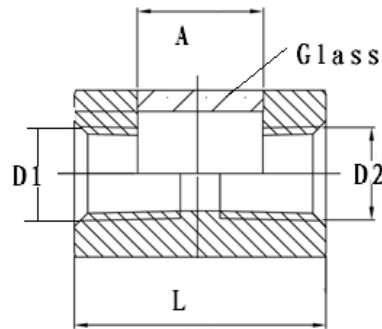
10.2 Square High Pressure Fused Sight Glass

- ◆ Working Pressure : 1200PSI
- ◆ Maximum operating temperatures up to 500°F(260°C)
- ◆ Steel construction, Nickel Plated Surface
- ◆ Heavy glass window fused to housing

KCSGM-50:



KCSGM-25:

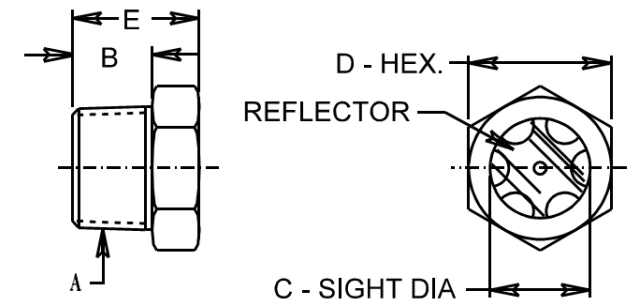


In:Inch(mm)

Item# 货号	L	A	D1	D2	S0
KCSGM-25	1.5"(38.10)	0.75"(19.05)	1/4"	1/4"	1"
KCSGM-50	2.87"(72.90)	0.75"(19.05)	1/4"	1/2"	1"

10.3 High Pressure Fused Steel Sight Glass ,Pipe Threaded

- ◆ Carbon steel, Nickel plated
- ◆ Connections with NPT、G、M、BSPP、R are customized
- ◆ Heavy glass window fused to housing
- ◆ Maximum operating temperatures up to 500°F(260°C)
- ◆ With Optional Stainless Steel Reflector for 3/8" above



Professional & One-Stop Service
-Manufacturing -Customerized -Sourcing&Trading -Stocking



Intech Industries Manufacturing Co.,Ltd

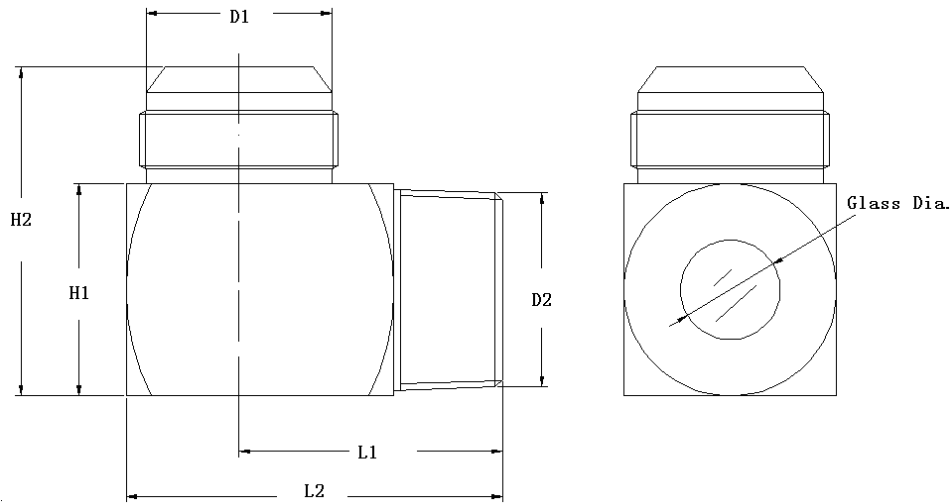
- ◆With Optional Stainless Steel Reflector & Red Ball for 3/8" above
- ◆With optional Bull Eye Sight Glass

In:Inch(mm)

Item #				A (Male)	B	C	D	E	Max work pressure. psi/kpa @ 69 F(20.6 °C)
Clear with Open view	Clear with Reflector	Clear with Reflector & Ball	With Bulls Eye Glass(Circles)						
KCHP-25	N/A	N/A	N/A	1/4	0.44 (11.18)	0.34 (8.64)	0.62 (15.75)	0.62 (15.75)	2000 (13800)
KCHP-33	KCHP-33RF	KCHP-33RFB	KCHP-33BE	3/8	0.51 (12.95)	0.44 (11.18)	0.75 (19.05)	0.72 (18.29)	1850 (12765)
KCHP-50	KCHP-50RF	KCHP-50RFB	KCHP-50BE	1/2	0.51 (12.95)	0.56 (14.22)	0.94 (23.88)	0.78 (19.81)	1750 (12075)
KCHP-75	KCHP-75RF	KCHP-75RFB	KCHP-75BE	3/4	0.62 (15.75)	0.75 (19.05)	1.06 (26.92)	0.94 (23.88)	1500 (10350)
KCHP-100	KCHP-100RF	KCHP-100RFB	KCHP-100BE	1	0.75 (19.05)	0.94 (23.88)	1.38 (35.05)	1.06 (26.88)	1250 (8625)
KCHP-120	KCHP-120RF	KCHP-120RFB	KCHP-120BE	1 1/4	0.81 (20.57)	1.19 (30.23)	1.75 (44.45)	1.22 (30.99)	1000 (6900)
KCHP-150	KCHP-150RF	KCHP-150RFB	KCHP-150BE	1 1/2	0.81 (20.57)	1.44 (36.58)	2.00 (50.8)	1.22 (30.99)	750 (5175)
KCHP-200	KCHP-200RF	KCHP-200RFB	KCHP-200BE	2	0.88 (22.35)	1.88 (47.75)	2.5 (63.5)	1.28 (32.51)	500 (3450)

10.4 KCSGFE Elbow High Pressure Fused Sight Glass

- ◆ Meets SAE Specifications and Standards
- ◆ Steel construction ,Nickel plated surface
- ◆ Heavy glass window fused to housing
- ◆ Maximum operating temperatures up to 500°F (260°C)
- ◆ With Bull Eye Sight Glass



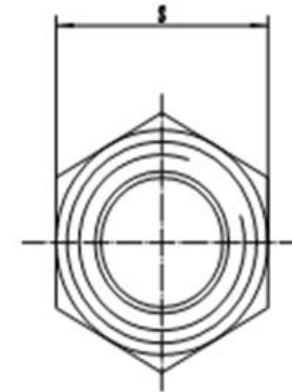
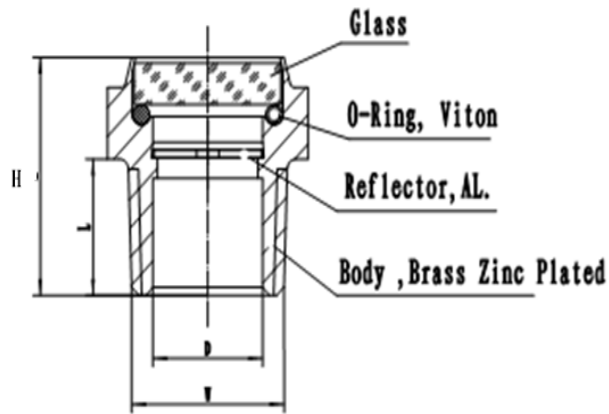
In: Inch(mm)

Item # 货号	D1	D2	Glass Dia.	L2	L1	H2	H1
-----------	----	----	------------	----	----	----	----

KCSGF-100	1 5/16-12UN, 37 Degree flared	1" Male	0.90"(22.86)	2.66"(67.56)	1.71"(43.43)	2.54"(64.52)	1.37"(34.80)
KCSGF-150		1-1/2" Male					

10.5 Low Pressure Male Thread Brass Sight Glass,Zinc plated

- ◆Brass Body,Zinc plated
- ◆With Reflector
- ◆Buna N seal
- ◆Maximum working temperature up to 250°F (121°C).



In: Inch(mm)

Item #	W	H	L	D	S	Max.psi @70 F(21 °C)
93334-025	1/4"	0.91(23.11)	0.53(13.46)	0.31(7.87)	0.75(19.05)	125
93334-033	3/8"	0.91(23.11)	0.53(13.46)	0.47(11.94)	0.75(19.05)	125
93334-050	1/2"	1.12(28.45)	0.67(17.02)	0.55(13.97)	0.98(24.89)	125
93334-075	3/4"	1.25(31.75)	0.75(19.05)	0.75(19.05)	1.26(32.00)	125

10.6 Low Pressure Plastic Sight Glass

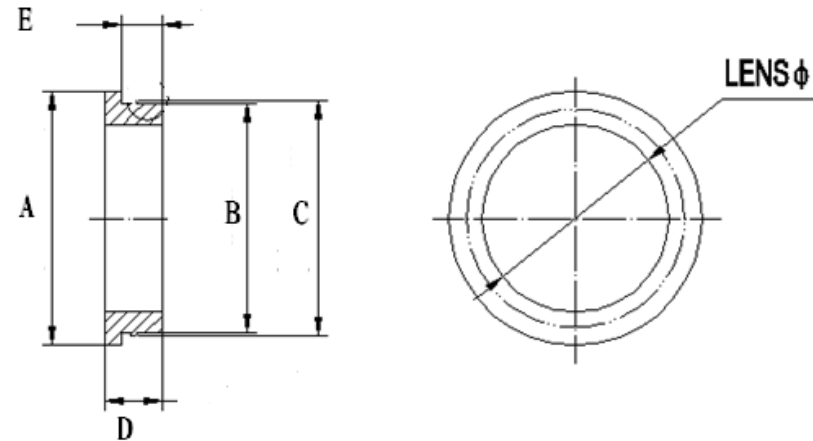
- ◆ Polycarbonate body
- ◆ BSPP Male
- ◆ Buna N seal
- ◆ Temperature Range: -50° to 250°F (-45° to 121°C).



Item#	Male Size	Hex	Window Dia	Max.psi@70 F(21 °C)
KCSGPL-01	1/2"	1"	1/2"	45
KCSGPL-02	3/4"	1-3/8"	3/4"	45
KCSGPL-03	1"	1-3/4"	7/8"	45

10.7 Press Fit Fused Sight Glass

- ◆Steel Construction ,Nickle Plated
- ◆Heavy glass window fused to housing ,which can hold 1200PSI pressure
- ◆Maximum operating temperatures up to 500°F(260°C)
- ◆With Bull Eye Sight Glass (Normal Glass is Optional)



Item #	A	B	C	D	E	In:Inch(mm)
						Lens Φ
KCSGFS-01	1"(25.4)	0.88"(22.35)	0.88"(22.35)	0.31"(7.87)	0.22"(5.59)	0.64"(16.26)
KCSGFS-02	1.38"(35.05)	1.25"(31.75)	1.25"(31.75)	0.31"(7.87)	0.22"(5.59)	0.94"(23.88)

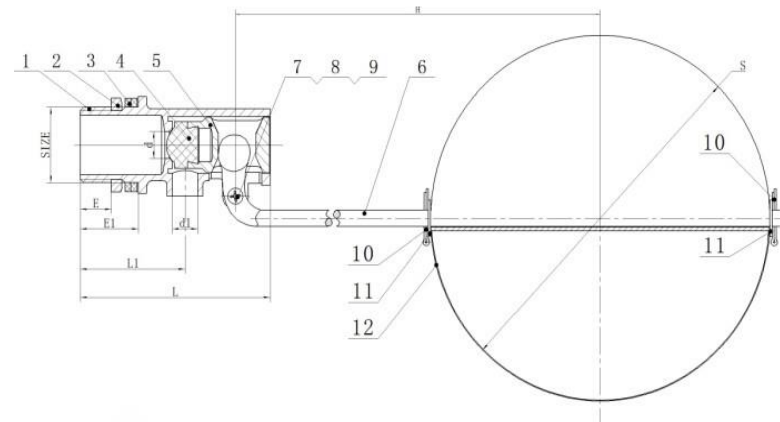
11.Floating Ball Valve

11.1 Stainless Steel Floating Ball Valve

- ◆ Working pressure: Pn10(150PSI)
- ◆ Applicable temperature: -40° to +428°F (-40 to +220°C)
- ◆ Size: 1/2" - 2"
- ◆ Material: CF8M, CF8
- ◆ Thread standard: GB T7306-1-2000 NPT
- ◆ Applicable medium: water, steam, oil
- ◆ Design & Manufacture: ASTM B16.34
- ◆ Valve inspection and testing according to standard QB/T1199-1991
- ◆ Thread End: BSP、BSPT、DIN2999.etc
- ◆ Round handles for use when there is insufficient space for 90 degree lever operation.
- ◆ Also ideal for situations where projecting lever handles are prohibited.



Part# 编号	Part Name	Material
1	Body	ASTM A351 CF8/CF8M
2	Lock cap	ASTM A351 CF8/CF8M
3	Sealing	NBR
4	Seal	SI/NBR
5	Plug	ASTM A351 CF8
6	Float arm	ASTM A276 316/304/301
7	Nut	ASTM A194-8M
8	Spring washer	ASTM A193-B8M
9	Bolt	ASTM A193-B8M
10	Pin	ASTM A193-B8M
11	Gasket	ASTM A193-B8M
12	Float ball	ASTM A182 304/301



In:Inch(mm)

Item #	DN	Size	Dimensions			
			∅ B	D	L	S
SSFBV-50	DN15	1/2"	0.26"/6.7	9.06"/230	2.53"/64.5	3.94"/100
SSFBV-75	DN20	3/4"	0.31"/8	9.06"/230	2.53"/64.5	3.94"/100
SSFBV-100	DN25	1"	0.47"/12	12.83"/326	3.54"/90	5.31"/135
SSFBV-125	DN32	1-1/4"	0.55"/14	13.07"/332	3.58"/91	5.91"/150
SSFBV-150	DN40	1-1/2"	0.81"/20.5	15.55"/395	4.70"/119.5	9.84"/250

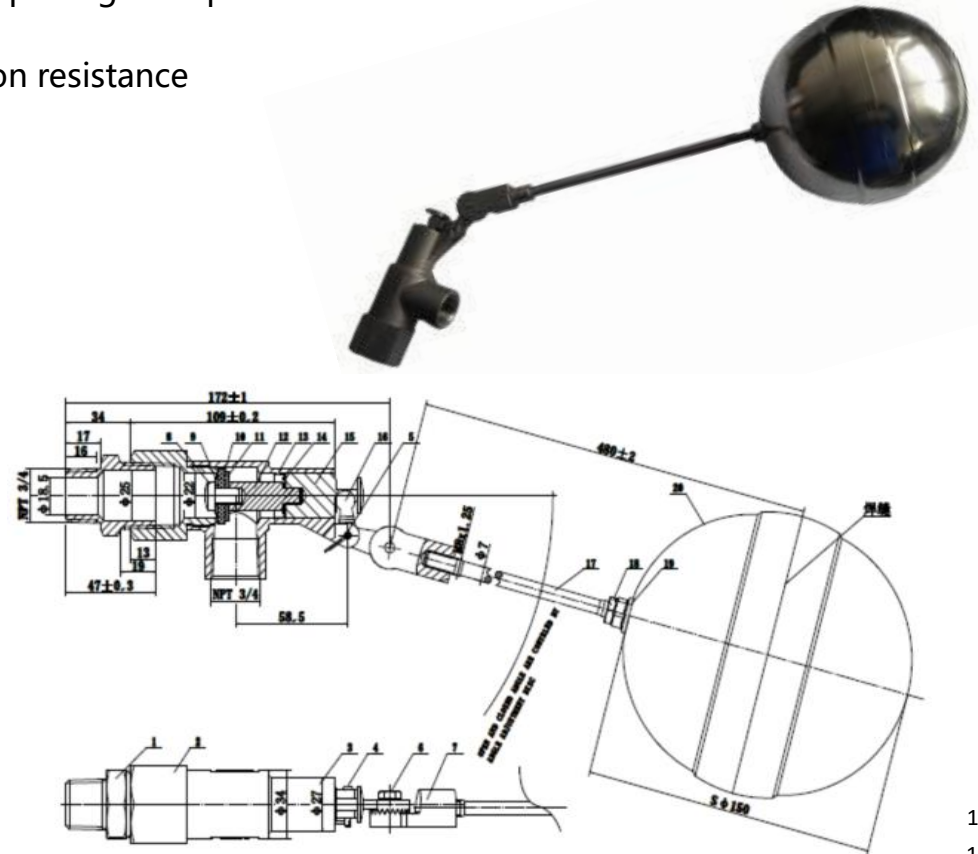
SSFBV-200	DN50	2"	0.98"/25	18.58"/472	5.22"/132.5	10.43"/265
-----------	------	----	----------	------------	-------------	------------

11.2 B Type Stainless Steel Float Ball Valve

- ◆ Elbow style design
- ◆ For in-tank mounting in open and closed tanks, with PTFE seal for super high temperature use and chemical resistance
- ◆ Temperature range is -60 to +550 degree Fahrenheit
- ◆ 316 Stainless steel valve body ,float and rod for exceptional corrosion resistance
- ◆ Working pressure: 230PSI
- ◆ Connections: NPT female.
- ◆ Sizes available : 3/8" to 1"

Part#	Part Name	Material
1	25x20 Male Reducer Union	SS316
2	Cap	SS316
3	Body	CF8M 316 S.S
4	Axis Pin	SS304 304 S.S
5	Pin	SS304 304 S.S
6	Bolt	SS304 304 S.S
7	Adjustment Disc	CF8M 316 S.S
8	Cross Nut	SS304 304 S.S
9	Flat Gasket	SS304 304 S.S
10	Seal Ring	Viton
11	Trust Washer	SS304 304 S.S
12	Valve Disc	SS316 316 S.S

Professional & One-Stop Service
[-Manufacturing -Customerized -Sourcing&Trading -Stocking](#)





Intech Industries Manufacturing Co.,Ltd

13	Seal Ring	PTFE /RPTFE
14	Flat Gasket	304 S.S
15	Valve Disc	306 S.S
16	Ejector Rod	CF8M 316 S.S
17	Float Arm	SS304 304 S.S
18	Nut	SS304 304 S.S
19	Hex Nut	304 S.S
20	Float Ball	304 S.S

In:Inch(mm)

Pipe Size, Inlet x Outlet	Flow Rate@50psi	Max.psi	Float Dia.	Rod to float Lg.
3/8" x 3/8"	15.4gpm	85	5.9"/149.86	15.7"/398.78
1/2" x 1/2"	15.4gpm	85	5.9"/149.86	15.7"/398.78
3/4" x 3/4"	15.4gpm	85	5.9"/149.86	15.7"/398.78
1' x 3/4"	15.4gpm	85	5.9"/149.86	15.7"/398.78

11.3 Bronze Float Valves

◆STANDARD

Max.pressure:125 psi,except Nos.23MJ93 and 23MJ94 are 100 psi

Max. temp.:180°F

Valves have a machined-in seat and Buna N seals,cotter pin pivot assembly,and fully adjustable float arm.

◆HEAVY-DUTY

Max.pressure:165 psi

Max. temp.:180°F

Can be tank wall-mounted



Item#	Size	Connection	Stem Fitting(in.)	Stem Length(in.)	Material of Construction	Valve Flow			
						Pressure (psi)	Flow (gpm)	Pressure (psi)	Flow (gpm)
Heavy-Duty with Locknut and Gasket 重型带锁定螺母和垫圈									
2ZDN3	3/8"	Bulkhead	1/4-20	/	Bronze Body	14	14	50	21
2ZDN4	1/2"	Bulkhead	1/4-20	/	Bronze Body	20	20	50	31
2ZDN8	1/2"	Bulkhead	1/4-20	/	Bronze Body	20	20	50	31



46A992	1/2"	MNPT	1/4	/	Bronze	20	20	50	31
2ZDN9	3/4"	Bulkhead	1/4-20	/	Bronze Body	20	40	50	60
46A993	3/4"	MNPT	1/4	/	Bronze	40	40	50	60

11.4 Automatic Float Drain, 400L

- ◆ Ideal for Applications When Electricity Is Not Available
- ◆ Capacity Up to 200 Gallons/HR
- ◆ Working Pressure:230 PSI
- ◆ Working Temperature:200°F
- ◆ Die Casting Aluminum Body,Powder Coated
- ◆ Stainless Steel Float Ball
- ◆ 1/2" NPT Female Inlet and Outlet Connection
- ◆ Requires 9" Clearance Below Reservoir to Be Properly Installed
- ◆ Equipped With "Anti Air Lock" Vent Tube
- ◆ No power required
- ◆ Large orifice for trouble-free service
- ◆ Zero wasted compressed air
- ◆ Discharge Condensate "Not Air"

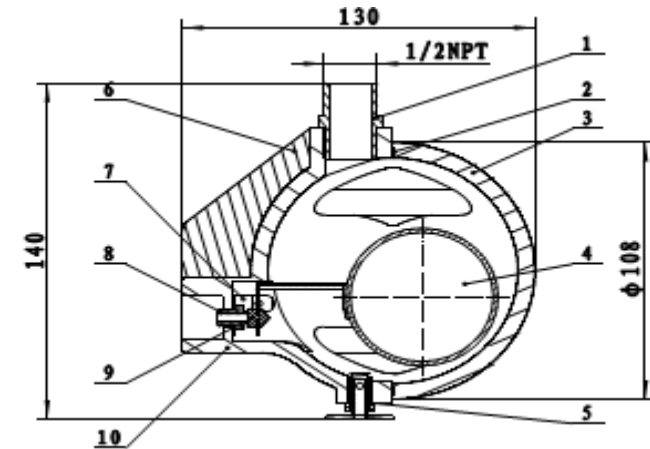


Part#	Part Name	Material
1	Push-on Fitting	Brass



[Intech Industries Manufacturing Co.,Ltd](#)

2	Sealing	Rubber
3	Housing Cap	Aluminum
4	Stainless Steel Float	S.S
5	Manual Drain	Brass
6	Plastic Cap	Plastic
7	Fixed Support	S.S
8	Drain Nozzle	Brass
9	Colliod	Plastic
10	Housing	Aluminum



Automatic Float Drain, 800L

Part#	Part Name	Material
1	Housing	Aluminum
2	Manual Drain	Brass
3	Sealing	Rubber
4	Housing Cap	Aluminum
5	Float Ball Kit	Plastic
6	Port Sealing Kit	S.S & Rubber
7	Float Ball Bracket	Plastic

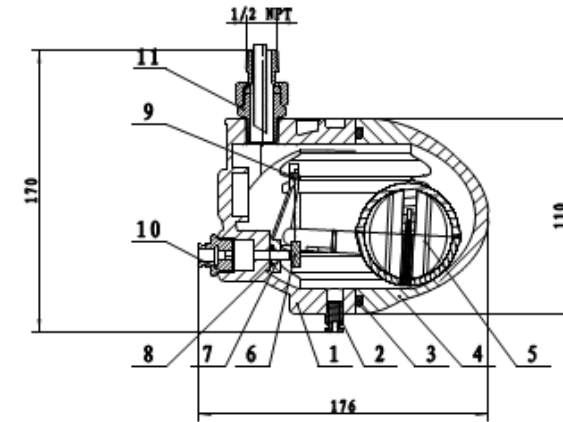


[Professional & One-Stop Service](#)
[-Manufacturing -Customerized -Sourcing&Trading -Stocking](#)



Intech Industries Manufacturing Co.,Ltd

8	Ball Seat O-ring	Rubber
9	Stainless Steel Screws	S.S
10	Push on Fitting	Brass
11	Inport Fitting 4PC Kit	Brass



12. Pressure Gauge

12.1 Vacuum and Pressure Gauge

- ◆ Include General Pressure Gauges / Dash-Pot Pressure Gauges / Liquid Filled Pressure Gauges
- ◆ Suitable for Air, Water, Oil & Gas.
- ◆ Dial Size: 1-1/2" (38mm) / 2" (50mm)
- ◆ Case Material: ABS, Steel, Stainless Steel
- ◆ Window material: PC, Glass or anti-explosion
- ◆ Connection: 1/8" --- 1-1/2" Dial; 1/4" --- 2" and above. Other size of connection also can make.
- ◆ Accuracy: General Pressure Gauges & Dash-Pot Pressure Gauges--3%/2.5%/1.6%/1%; Liquid Filled Pressure Gauges--1.5%/1%

Dia. Size(in)	Pressure Range	Mounting	General Pressure Gauge	Dash-Pot Pressure Gauge	Liquid Filled Pressure Gauge
			Spec.	Spec.	Spec.
1-1/2	-30-0 psi	1/8" back mount	Steel Case,electrophoretic Coating + Plastic Window + Brass internals and connection	Steel Case,electrophoretic Coating + Plastic Window + Brass internals and connection, with Dash-Pot Movement	Stainless Steel Case, Plastic Window + Brass internals and connection, liquid filled
1-1/2	0-30 psi	1/8" back mount			
1-1/2	0-60 psi	1/8" back mount			
1-1/2	0-160 psi	1/8" back mount			
2	-30-0 psi	1/4" back mount			
2	0-60 psi	1/4" back mount			
2	0-160 psi	1/4" back mount			
2	0-300 psi	1/4" back mount			
1-1/2	-30-0 psi	1/8" bottom mount	Image	Image	Image




1-1/2	0-30 psi	1/8" bottom mount	
1-1/2	0-60 psi	1/8" bottom mount	
1-1/2	0-160 psi	1/8" bottom mount	
2	-30-0 psi	1/4" bottom mount	
2	0-30 psi	1/4" bottom mount	
2	0-60 psi	1/4" bottom mount	
2	0-160 psi	1/4" bottom mount	
2	0-300 psi	1/4" bottom mount	

12.2 Pressure Gauge,Back Mount with Brass Fitting

- ◆Steel Case
- ◆Back Mount 1/4" NPT Brass Fitting
- ◆Accuracy : 2.5% mid-scale
- ◆Dial: with bar
- ◆Ambient Temp.: -4 ° to 212 °F (-20° to 100°C)

Item #	Desc. & Spec.	Image
1481C	2" Pressure Gauge Range 0 to 30 psi	



1481A	2" Pressure Gauge Range 0 to 60 psi	
1481	2" Pressure Gauge Range 0 to 160 psi	
1481B	2" Pressure Gauge Range 0 to 300 psi	
1681C	1.5" Pressure Gauge Range 0 to 30 psi	
1681A	1.5" Pressure Gauge Range 0 to 60 psi	
1681	1.5" Pressure Gauge Range 0 to 160 psi	

12.3 Stainless Steel Case Liquid-Filled Pressure Gauges

- ◆Case and Bezel: Stainless Steel
- ◆With Brass rotary gear ,With brass socket ,With tough poly carbonate lens
- ◆Accuracy : 2% mid-scale

Professional & One-Stop Service
-Manufacturing -Customerized -Sourcing&Trading -Stocking



Intech Industries Manufacturing Co.,Ltd

- ◆Dial: with psi and bar
- ◆Ambient Temp.: -4 ° to 212 °F (-20° to 100°C)

Item #	Range	Dial Size (In.)	Connection Size 连接尺寸	Images
IISPG-SS150BK-1	30-0Hg	1.5"	1/8" Back Mount	
IISPG-SS150BK-2	0-15psi	1.5"	1/8" Back Mount	
IISPG-SS150BK-3	0-30psi	1.5"	1/8" Back Mount	
IISPG-SS150BK-4	0-60psi	1.5"	1/8" Back Mount	
IISPG-SS150BK-5	0-100psi	1.5"	1/8" Back Mount	
IISPG-SS150BK-6	0-160psi	1.5"	1/8" Back Mount	
IISPG-SS150BK-7	0-200psi	1.5"	1/8" Back Mount	
IISPG-SS150BK-8	0-300psi	1.5"	1/8" Back Mount	
IISPG-SS150BK-9	0-600psi	1.5"	1/8" Back Mount	
IISPG-SS150BK-10	0-1000psi	1.5"	1/8" Back Mount	
IISPG-SS150BK-11	0-2000psi	1.5"	1/8" Back Mount	
IISPG-SS150BK-12	0-3000psi	1.5"	1/8" Back Mount	
IISPG-SS150BK-13	0-5000psi	1.5"	1/8" Back Mount	
IISPG-SS200BT-1	30-0Hg	2"	1/4" Bottom Mount	
IISPG-SS200BT-2	0-15psi	2"	1/4" Bottom Mount	
IISPG-SS200BT-3	0-30psi	2"	1/4" Bottom Mount	
IISPG-SS200BT-4	0-60psi	2"	1/4" Bottom Mount	
IISPG-SS200BT-5	0-100psi	2"	1/4" Bottom Mount	
IISPG-SS200BT-6	0-160psi	2"	1/4" Bottom Mount	
IISPG-SS200BT-7	0-200psi	2"	1/4" Bottom Mount	
IISPG-SS200BT-8	0-300psi	2"	1/4" Bottom Mount	



IISPG-SS200BK-1	30-0Hg	2"	1/4" Back Mount
IISPG-SS200BK-2	0-15psi	2"	1/4" Back Mount
IISPG-SS200BK-3	0-30psi	2"	1/4" Back Mount
IISPG-SS200BK-4	0-60psi	2"	1/4" Back Mount
IISPG-SS200BK-5	0-100psi	2"	1/4" Back Mount
IISPG-SS200BK-6	0-160psi	2"	1/4" Back Mount
IISPG-SS200BK-7	0-200psi	2"	1/4" Back Mount
IISPG-SS200BK-8	0-300psi	2"	1/4" Back Mount
IISPG-SS200BK-9	0-600psi	2"	1/4" Back Mount
IISPG-SS200BK-10	0-1000psi	2"	1/4" Back Mount
IISPG-SS200BK-11	0-2000psi	2"	1/4" Back Mount
IISPG-SS200BK-12	0-3000psi	2"	1/4" Back Mount
IISPG-SS200BK-13	0-5000psi	2"	1/4" Back Mount
IISPG-SS200BK-14	0-6000psi	2"	1/4" Back Mount



12.4 Steel Case Utility Pressure Gauges

- ◆Case and Bezel: Steel Chrome Plated
- ◆With Brass rotary gear ,With brass socket ,With tough poly carbonate lens
- ◆Accuracy : +/-5% ,for oil ,water,gas or any medium not corrosive to brass
- ◆Not for oxygen service
- ◆Dial: with psi ,bar and kpa
- ◆Ambient Temp.: -4° to 176 °F (-20° to 80°C)

Professional & One-Stop Service
-Manufacturing -Customerized -Sourcing&Trading -Stocking



Intech Industries Manufacturing Co.,Ltd

Item # 货号	Range 范围	Dial Size (In.) 表盘尺寸	Connection Size 连接尺寸	Images 图样
IISPG-CS150BT-1	30-0Hg	1.5"	1/8" Bottom Mount	
IISPG-CS150BT-2	0-15psi	1.5"	1/8" Bottom Mount	
IISPG-CS150BT-3	0-30psi	1.5"	1/8" Bottom Mount	
IISPG-CS150BT-4	0-60psi	1.5"	1/8" Bottom Mount	
IISPG-CS150BT-5	0-100psi	1.5"	1/8" Bottom Mount	
IISPG-CS150BT-6	0-160psi	1.5"	1/8" Bottom Mount	
IISPG-CS150BT-7	0-200psi	1.5"	1/8" Bottom Mount	
IISPG-CS150BT-8	0-300psi	1.5"	1/8" Bottom Mount	
IISPG-CS150BK-1	30-0Hg	1.5"	1/8" Back Mount	
IISPG-CS150BK-2	0-15psi	1.5"	1/8" Back Mount	
IISPG-CS150BK-3	0-30psi	1.5"	1/8" Back Mount	
IISPG-CS150BK-4	0-60psi	1.5"	1/8" Back Mount	
IISPG-CS150BK-5	0-100psi	1.5"	1/8" Back Mount	
IISPG-CS150BK-6	0-160psi	1.5"	1/8" Back Mount	
IISPG-CS150BK-7	0-200psi	1.5"	1/8" Back Mount	
IISPG-CS150BK-8	0-300psi	1.5"	1/8" Back Mount	
IISPG-CS200BT-1	30-0	2"	1/4" Bottom	
IISPG-CS200BT-2	30-0-30	2"	1/4" Bottom	

IISPG-CS200BT-3	30-0-60	2"	1/4" Bottom
IISPG-CS200BT-4	30-0-100	2"	1/4" Bottom
IISPG-CS200BT-5	30-0-150	2"	1/4" Bottom
IISPG-CS200BT-6	30-0-300	2"	1/4" Bottom
IISPG-CS200BT-7	0-15	2"	1/4" Bottom
IISPG-CS200BT-8	0-30	2"	1/4" Bottom
IISPG-CS200BT-9	0-60	2"	1/4" Bottom
IISPG-CS200BT-10	0-100	2"	1/4" Bottom
IISPG-CS200BT-11	0-160	2"	1/4" Bottom
IISPG-CS200BT-12	0-200	2"	1/4" Bottom
IISPG-CS200BT-13	0-300	2"	1/4" Bottom
IISPG-CS200BT-14	0-400	2"	1/4" Bottom
IISPG-CS200BT-15	0-600	2"	1/4" Bottom
IISPG-CS200BK-1	30-0	2"	1/4" Back
IISPG-CS200BK-2	30-0-30	2"	1/4" Back
IISPG-CS200BK-3	30-0-60	2"	1/4" Back
IISPG-CS200BK-4	30-0-100	2"	1/4" Back
IISPG-CS200BK-5	30-0-150	2"	1/4" Back
IISPG-CS200BK-6	30-0-300	2"	1/4" Back
IISPG-CS200BK-7	0-15	2"	1/4" Back



IISPG-CS200BK-8	0-30	2"	1/4" Back
IISPG-CS200BK-9	0-60	2"	1/4" Back
IISPG-CS200BK-10	0-100	2"	1/4" Back
IISPG-CS200BK-11	0-160	2"	1/4" Back
IISPG-CS200BK-12	0-200	2"	1/4" Back
IISPG-CS200BK-13	0-300	2"	1/4" Back
IISPG-CS250BT-1	30-0	2.5"	1/4" Bottom
IISPG-CS250BT-2	30-0-15	2.5"	1/4" Bottom
IISPG-CS250BT-3	30-0-30	2.5"	1/4" Bottom
IISPG-CS250BT-4	30-0-60	2.5"	1/4" Bottom
IISPG-CS250BT-5	30-0-100	2.5"	1/4" Bottom
IISPG-CS250BT-6	30-0-150	2.5"	1/4" Bottom
IISPG-CS250BT-7	30-0-300	2.5"	1/4" Bottom
IISPG-CS250BT-8	0-15	2.5"	1/4" Bottom
IISPG-CS250BT-9	0-30	2.5"	1/4" Bottom
IISPG-CS250BT-10	0-60	2.5"	1/4" Bottom
IISPG-CS250BT-11	0-100	2.5"	1/4" Bottom
IISPG-CS250BT-12	0-160	2.5"	1/4" Bottom
IISPG-CS250BT-13	0-200	2.5"	1/4" Bottom
IISPG-CS250BT-14	0-300	2.5"	1/4" Bottom



IISPG-CS250BT-15	0-400	2.5"	1/4" Bottom	
IISPG-CS250BT-16	0-600	2.5"	1/4" Bottom	
IISPG-CS250BK-1	30-0	2.5"	1/4" Back	
IISPG-CS250BK-2	30-0-30	2.5"	1/4" Back	
IISPG-CS250BK-3	30-0-60	2.5"	1/4" Back	
IISPG-CS250BK-4	30-0-100	2.5"	1/4" Back	
IISPG-CS250BK-5	30-0-150	2.5"	1/4" Back	
IISPG-CS250BK-6	30-0-300	2.5"	1/4" Back	
IISPG-CS250BK-7	0-15	2.5"	1/4" Back	
IISPG-CS250BK-8	0-30	2.5"	1/4" Back	
IISPG-CS250BK-9	0-60	2.5"	1/4" Back	
IISPG-CS250BK-10	0-100	2.5"	1/4" Back	
IISPG-CS250BK-11	0-160	2.5"	1/4" Back	
IISPG-CS250BK-12	0-200	2.5"	1/4" Back	
IISPG-CS250BK-13	0-300	2.5"	1/4" Back	
IISPG-CS250BK-14	0-400	2.5"	1/4" Back	
IISPG-CS250BK-15	0-600	2.5"	1/4" Back	
IISPG-CS250BT-1	30-0	3.5"	1/4" Bottom	
IISPG-CS250BT-2	30-0-15	3.5"	1/4" Bottom	



Intech Industries Manufacturing Co.,Ltd

IISPG-CS250BT-3	30-0-30	3.5"	1/4" Bottom
IISPG-CS250BT-4	30-0-60	3.5"	1/4" Bottom
IISPG-CS250BT-5	30-0-100	3.5"	1/4" Bottom
IISPG-CS250BT-6	30-0-150	3.5"	1/4" Bottom
IISPG-CS250BT-7	0-15	3.5"	1/4" Bottom
IISPG-CS250BT-8	0-30	3.5"	1/4" Bottom
IISPG-CS250BT-9	0-60	3.5"	1/4" Bottom
IISPG-CS250BT-10	0-100	3.5"	1/4" Bottom
IISPG-CS250BT-11	0-160	3.5"	1/4" Bottom
IISPG-CS250BT-12	0-200	3.5"	1/4" Bottom
IISPG-CS250BT-13	0-300	3.5"	1/4" Bottom
IISPG-CS250BT-14	0-400	3.5"	1/4" Bottom
IISPG-CS250BT-15	0-600	3.5"	1/4" Bottom



13.Fitting

13.1 316 Stainless Steel Instrumentation Tube Fittings

- ◆Temp.range:-425° to 1200° F(-253° to +648° C)
- ◆Provide leak tight seals in gas or liquid service.
- ◆Designed with four-to one safety factor with respect to working pressure capabilities of the tubing used. Compression design allows for easy assembly.
- ◆Uses:Refineries,chemical processing,power generation,instrument lines,etc

Item # 货号	Desc. & Spec. 描述与规格	Image 图片	Tube Size 管尺寸	Pipe Size(In.) 管道尺寸
UEB-25	Union Elbow		1/4"	/
UEB-33			3/8"	/
UEB-50			1/2"	/
MEB-2512	Male Elbow		1/4"	1/8"
MEB-2525			1/4"	1/4"
MEB-3325			3/8"	1/4"
MEB-3333			3/8"	3/8"
MEB-5050			1/2"	1/2"
UT-50	Union Tee		1/4"	/
UT-33			3/8"	/
UT-50			1/2"	/
UN-25	Union		1/4"	/



UN-33	Reducing Union		3/8"	/
UN-50			1/2"	/
RDU-3325			3/8"X1/4"	/
RDU-5033			1/2"X3/8"	/
RDU-5025			1/2"X1/4"	/
BKU-25	Bulkhead Union		1/4"	/
BKU-33			3/8"	/
BKU-50			1/2"	/
RDUT-5025	Reducing UniBranch Tee		1/2"X1/4"	/
RDUT-5033			1/2"X3/8"	/
RDUT-3325			3/8"X1/4"	/
MC-2525	Male Connector		1/4"	1/4"
MC-3333			3/8"	3/8"
MC-5050			1/2"	1/2"
RDMC-2512	Male connector reducer		1/4"	1/8"
RDMC-2533			1/4"	3/8"
RDMC-2550			1/4"	1/2"
RDMC-3325			3/8"	1/4"
RDMC-3350			3/8"	1/2"
RDMC-5025			1/2"	1/4"
RDMC-5033			1/2"	3/8"



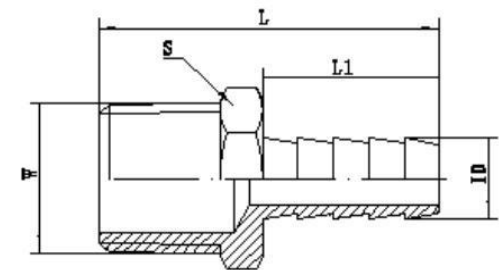
BKMC-25	Bulkhead Male Connector		1/4"	1/4"
BKMC-33			3/8"	3/8"
BKMC-50			1/2"	1/2"
FC-2525	Female Connector		1/4"	1/4"
FC-3325			3/8"	1/4"
FC-3333			3/8"	3/8"
FC-5050			1/2"	1/2"
TC-25	Tube Cap		1/4"	/
TC-33			3/8"	/
TC-50			1/2"	/
TP-25	Tube Plug		1/4"	/
TP-33			3/8"	/
TP-50			1/2"	/
FK-25	Ferrule Kit		1/4"	/
FK-33			3/8"	/
FK-50			1/2"	/
FBFK-25	Front and Back Ferrule Kit		1/4"	/
FBFK-33			3/8"	/
FBFK-50			1/2"	/

13.2 Brass Hose Barbs

- ◆ Temperature Range: 32° to 200°F (0 °to 90° C)
- ◆ One piece, except swivels (nut and stem)
- ◆ Use with plastic tubing or rubber hose
- ◆ Intended for use with hose clamp or crimp type ferrule
- ◆ Barbed edges provide positive connection
- ◆ Excellent vibration resistance
- ◆ Barb size is hose I.D.

Item# 货号	ID	W	S	L	L1
HBM-0808	1/8"	1/8"	7/16	1.06	0.46
HBM-2508		1/4"	9/16	1.16	0.46
HBM-0825	1/4"	1/8"	7/16	1.57	0.97
HBM-2525		1/4"	9/16	1.76	0.97
HBM-3825		3/8"	11/16	1.76	0.97
HBM-0838	3/8"	1/8"	1/2	1.57	0.98
HBM-2538		1/4"	9/16	1.76	0.98
HBM-3838		3/8"	11/16	1.76	0.98
HBM-5038		1/2"	1/2	1.97	0.98
HBM-7538		3/4"	1-1/16	1.97	0.98
HBM-2550	1/2"	1/4"	5/8	1.76	0.98
HBM-3850		3/8"	11/16	1.76	0.98
HBM-5050		1/2"	7/8	1.97	0.98

In:Inch



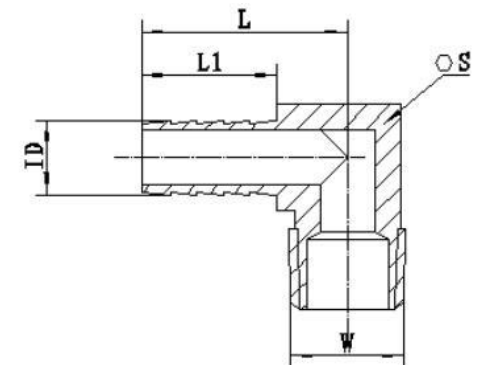
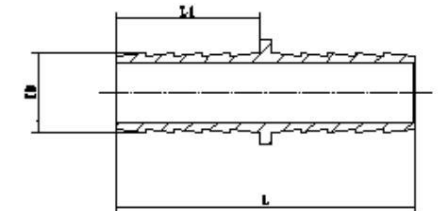
HBM-7550		3/4"	1-1/16	1.97	0.98
HBM-5075	3/4"	1/2"	7/8	2.19	1.19
HBM-7575		3/4"	1-1/16	2.19	1.19
HBM-75100	1"	3/4"	1-1/16	2.19	1.19
HBM-100100		1"	1-3/8	2.54	1.19

In:Inch

Item# 货号	ID	L	L1
HBS-0808	1/8"	0.984	0.46
HBS-2525	1/4"	2.03	0.984
HBS-3838	3/8"	2.03	0.984
HBS-5050	1/2"	2.03	0.984
HBS-6363	5/8"	2.03	0.984
HBS-7575	3/4"	2.5	

In:Inch

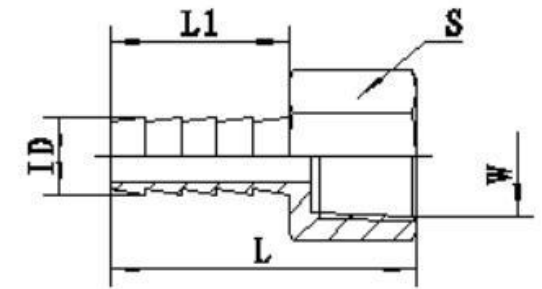
Item# 货号	ID	W	S	L	L1
HBM-0825	1/4"	1/8"	1/2	1.26	0.87
HBM-2525		1/4"	1/2	1.26	0.87
HBM-0838	3/8"	1/8"	1/2	1.26	0.90
HBM-2538		1/4"	1/2	1.26	0.90
HBM-3838		3/8"	5/8	1.38	0.90
HBM-2550	1/2"	1/8"	5/8	1.5	0.98



HBM-3850		1/4"	11/16	1.5	0.98
HBM-5050		3/8"	11/16	1.5	0.98
HBM-3863	5/8"	3/8"	11/16	1.5	0.98
HBM-5063		1/2"	11/16	1.5	0.98
HBM-0838	3/4"	1/2"	7/8	1.5	0.98
HBM-2538		3/4"	7/8	1.65	0.98
HBM-2550	1"	3/4"	1-1/4	1.85	0.98
HBM-3850		1"	1-1/4	1.85	0.98

In:Inch

Item# 货号	ID	W	S	L	L1
HBF-0808	1/4"	1/8"	1/2	0.97	0.46
HBF-2508		1/4"	5/8	1.15	0.46
HBF-0825	3/8"	1/8"	1/2	1.37	0.84
HBF-2525		1/4"	5/8	1.43	0.88
HBF-3825		3/8"	3/4	1.66	0.97
HBF-0838	1/2"	1/8"	9/16	1.47	0.98
HBF-2538		1/4"	5/8	1.43	0.89
HBF-3838		3/8"	3/4	1.55	0.91
HBF-5038		1/2"	15/16	1.67	0.98





Intech Industries Manufacturing Co.,Ltd

HBF-2550	1/2"	1/4"	5/8	1.66	0.98
HBF-3850		3/8"	3/4	1.66	0.98
HBF-5050		1/2"	15/16	1.66	0.98
HBM-7575	3/4"	3/4"	1-1/4	2.19	1.19
HBF-75100	1"	3/4"	1-1/4	2.19	1.19
HBF-100100		1"	1-7/16	2.32	1.19

13.3 Brass Compression Fitting

- ◆Pressure Rating:500PSI
- ◆Temperature Range: -65°to 250°F (-54°to 120°C).
- ◆Three piece constrection--nut ,sleeve (or feeule)and body
- ◆Use with copper,aluminum, or plastic tubing (plastic requires 60P sleeve 61P insert)
- ◆Standard fittings use short nuts .Long nuts are available for higher vibration applications.
- ◆To buy compression fittings with long nut,please add a "1" in front of the part number .(i.e.68=168
- ◆Easy to disassemble,no flaring tool required
- ◆Primary used: water .gasoline .oil and vacuum lines

In:Inch

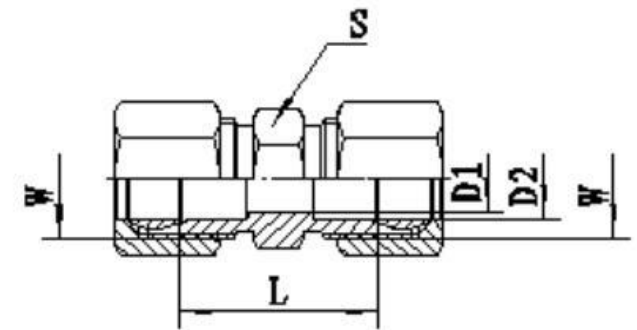
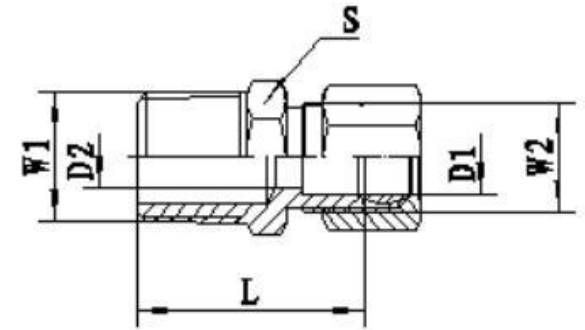
Item# 货号	W1	W2	D1	D2	L	S
268×2×2	1/8"	5/16-24UNF	0.134	0.087	0.866	7/16"

Professional & One-Stop Service
[-Manufacturing -Customerized -Sourcing&Trading -Stocking](#)

268×3×2	1/8"	3/8-24UNF	0.197	0.126	0.866	7/16"
268×4×2	1/8"	7/16-24UNF	0.26	0.216	0.866	7/16"
268×4×4	1/4"	7/16-24UNF	0.26	0.197	1.003	9/16"
268×4×6	1/8"	9/16-24UNF	0.39	0.24	0.965	11/16"
268×6×2	1/4"	9/16-24UNF	0.39	0.32	0.143	9/16"
268×6×4	3/8"	9/16-24UNF	0.39	0.32	1.063	9/16"
268×6×6	1/4"	11/16-24UNF	0.51	0.34	1.122	11/16"
268×8×4	3/8"	11/16-24UNF	0.51	0.41	1.142	11/16"
268×8×6	1/2"	11/16-24UNF	0.51	0.43	1.26	11/16"
268×8×8	1/2"	1-18UN	0.77	0.59	1.4	7/8"
268×12×8	3/4"	1-18UN	0.77	0.65	1.516	1"
268×12×12	1"	1-18UN	1.02	0.88	1.575	1-1/16"

In:Inch

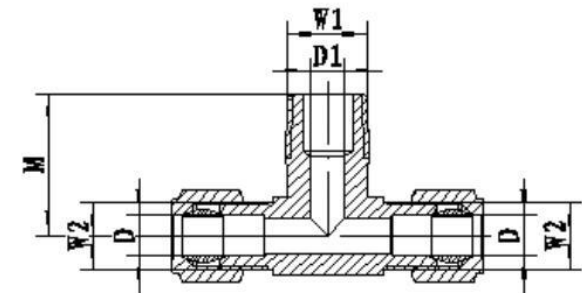
Item# 货号	Size 尺寸	W	D1	D2	L	S
262×2	1/8"	5/16-24UN	0.08	0.13	0.78	3/8"
262×3	3/16"	3/8-24UN	0.126	0.197	0.75	3/8"
262×4	1/4"	7/16-24UN	0.216	0.26	0.87	7/16"
262×5	5/16"	1/2-24UN	0.283	0.32	0.87	1/2"

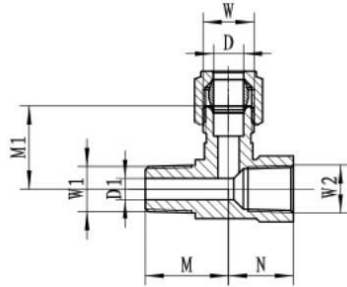


262×6	3/8"	9/16-24UN	0.31	0.38	0.95	9/16"
262×7	7/16"	5/8-24UN	0.35	0.445	1	5/8"
262×8	1/2"	11/16-24UN	0.43	0.51	1.12	11/16"
262×10	5/8"	13/16-24UN	0.55	0.69	1.26	13/16"
262×12	3/4"	1-18UN	0.67	0.77	1.42	1"

In:Inch

Item# 货号	ODxNPT	W1	W2	D	M	N
269F×4×2	1/4x1/8	1/8"	7/16-24UN	0.26	0.5	0.7
269F×4×4	1/4x1/4	1/4"	7/16-24UN	0.26	0.5	0.7
269F×6×4	3/8x1/4	1/4"	9/16-24UN	0.38	0.7	0.83
269F×6×6	3/8x3/8	3/8"	9/16-24UN	0.38	0.7	0.83
269F×8×4	1/2x1/4	1/4"	11/16-24UN	0.51	0.7	0.96
269F×8×4	1/2x3/8	3/8"	11/16-24UN	0.51	0.7	1.14
269F×12×8	3/4x1/2	3/4"	1-18UN	0.77	0.7	1.18
269F×12×12	3/4x3/4	3/4"	1-18UN	0.77	1.18	1.3



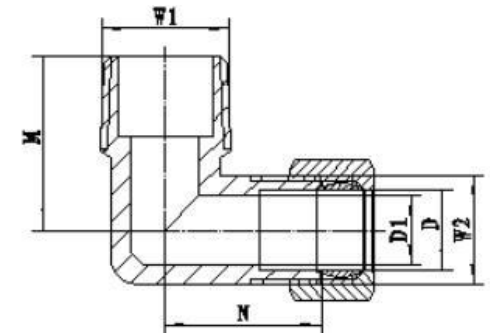


In:Inch

Item# 货号	NPTxNPTxO D	W	W1	W2	D	D1	M	M1	N
263 ×2F×2M×4 T	1/8x1/8x 1/4	7/16-24UN	1/8"	1/8"	0.26	0.21	0.70	0.70	0.55

In:Inch

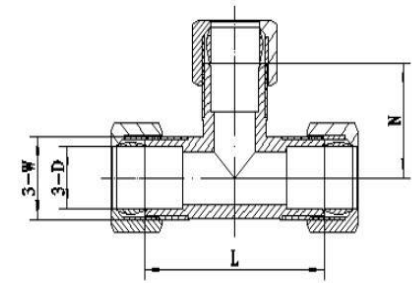
Item# 货号	ODxNPT	W1	W2	D1	D	M	N
269 ×2 ×2	1/8x1/8	1/8"	5/16-24UN	0.09	0.13	0.73	0.65
269 ×3 ×2	3/16x1/8	1/8"	3/8-24UN	0.13	0.20	0.73	0.65
269 ×4 ×2	1/4x1/8	1/8"	7/16-24UN	0.22	0.26	0.61	0.80
269 ×4 ×4	1/4x1/4	1/4"	7/16-24UN	0.22	0.26	0.73	0.59
269 ×5 ×2	5/16x1/8	1/8"	1/2-24UN	0.28	0.32	0.70	0.63
269 ×6 ×2	3/8x1/8	1/8"	9/16-24UN	0.31	0.38	0.70	0.69
269 ×6 ×4	3/8x1/4	1/4"	9/16-24UN	0.31	0.38	0.90	0.86
269 ×6 ×6	3/8x3/8	3/8"	9/16-24UN	0.31	0.38	0.98	0.86
269 ×6 ×8	3/8x1/2	1/2"	9/16-24UN	0.31	0.38	1.10	0.93
269 ×8 ×4	1/2x1/4	1/4"	11/16-24UN	0.40	0.51	0.86	0.90
269 ×8 ×6	1/2x3/8	3/8"	11/16-24UN	0.40	0.51	1.12	0.98



269×8×8	1/2x1/2	1/2"	11/16-24UN	0.40	0.51	1.12	1
269×12×8	3/4x1/2	1/2"	1-18UN	0.63	0.77	1.40	1.2
269×12×12	3/4x3/4	3/4"	1-18UN	0.63	0.77	1.40	1.2

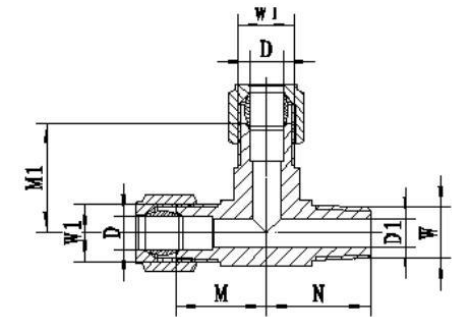
In:Inch

Item# 货号	ODxOD	W	D	N	L
264×2	1/8"	5/16-24UN	0.13	0.6	1.27
264×4	1/4"	7/16-24UN	0.26	0.6	1.27
264×6	3/8"	9/16-24UN	0.38	0.7	1.41
264×8	1/2"	11/16-24UN	0.51	0.93	1.87
264×10	5/8"	13/16-24UN	0.63	1.12	2.24
264×12	3/4"	1-18UN	0.77	1.17	2.34



In:Inch

Item#	ODxNPTxOD	W	W1	D	D1	M	M1	N
263×4T×2M×4T	1/4x1/8x1/4	1/8"	7/16-24UN	0.26	0.21	0.67	0.67	0.69
263×4T×4M×4T	1/4x1/4x1/4	1/4"	7/16-24UN	0.26	0.312	0.67	0.67	0.69

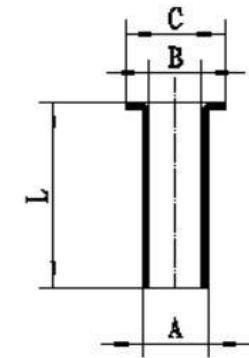


263×6T×4M×6T	3/8x1/4x3/8	1/4"	9/16-24UN	0.39	0.312	0.80	0.80	0.93
263×6T×6M×6T	3/8x3/8x3/8	3/8"	9/16-24UN	0.39	0.312	0.80	0.80	0.93
263×8T×6M×8T	1/2x3/8x1/2	3/8"	11/16-20UN	0.51	0.40	0.94	0.94	1.10
263×8T×8M×8T	1/2x1/2x1/2	1/2"	11/16-20UN	0.51	0.43	0.94	0.94	1.10



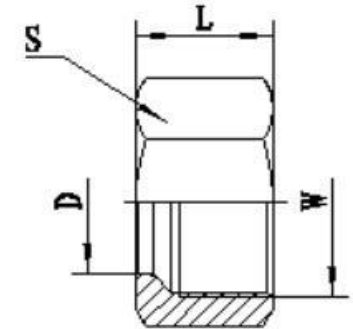
In:Inch

Item#	Size	L	A	B	C
295×2	1/8"	0.39	0.094	0.077	0.122
295×4	1/4"	0.50	0.17	0.14	0.25
295×6	3/8"	0.64	0.25	0.218	0.343
295×8	1/2"	0.81	0.37	0.34	0.437
295×10	5/8"	0.81	0.50	0.453	0.546
295×12	3/4"	1.03	0.56	0.515	0.687



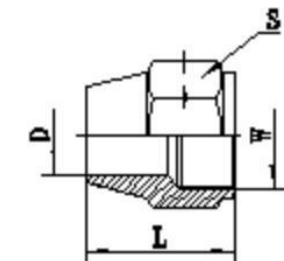
In:Inch

Item#	Size	W	D	L	S
261 ×2	1/8"	5/16-24UN	0.13	0.385	3/8
261 ×3	3/16"	3/8-24UN	0.193	0.45	7/16
261 ×4	1/4"	7/16-24UN	0.26	0.45	1/2
261 ×5	5/16"	1/2-24UN	0.32	0.45	9/16
261 ×6	3/8"	9/16-24UN	0.38	0.5	5/8
261 ×7	7/16"	5/8-24UN	0.448	0.5	11/16
261 ×8	1/2"	11/16-24UN	0.51	0.53	3/4
261 ×10	5/8"	13/16-24UN	0.63	0.59	7/8
261 ×12	3/4"	1-18UN	0.76	0.69	1-1/8
261 ×16	1"	11-18UN	1.05	0.63	1-1/2



In:Inch

Item#	Size	W	D	L	S
261 ×3L	3/16"	3/8-24UN	0.193	0.62	7/16
261 ×4L	1/4"	7/16-24UN	0.26	0.75	7/16
261 ×5L	5/16"	1/2-24UN	0.32	0.84	5/8

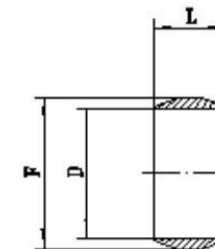


261×6L	3/8"	9/16-24UN	0.38	0.88	11/16
261×8L	1/2"	11/16-20UN	0.51	1.06	13/16
261×10L	5/8"	13/16-18UN	0.63	1.08	15/16
261×12L	3/4"	1-18UN	0.76	1.08	1-1/8



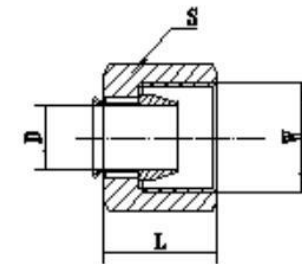
In:Inch

Item#	Size	F	L	D
260×2	1/8"	0.13	0.196	0.196
260×4	1/4"	0.334	0.255	0.255
260×6	3/8"	0.47	0.255	0.38
260×8	1/2"	0.59	0.295	0.51
260×10	5/8"	0.72	0.38	0.63
260×12	3/4"	0.88	0.44	0.76



In:Inch

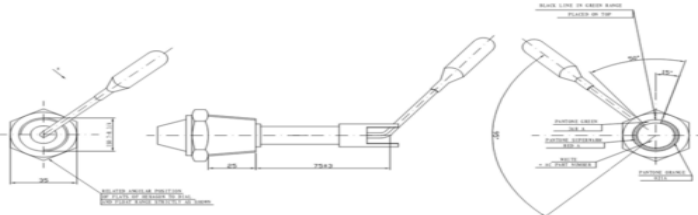

Item#	Size	W	D	L	S
2610×2	1/8"	5/16-24UN	0.153	0.38	3/8
2610×2	1/4"	7/16-24UN	0.279	0.45	1/2
2610×2	3/8"	9/16-24UN	0.405	0.49	5/8
2610×2	1/2"	11/16-20UN	0.531	0.53	3/4

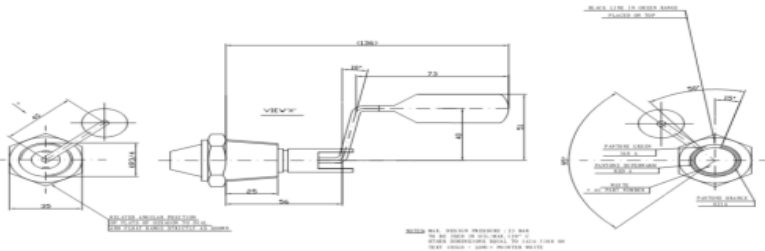

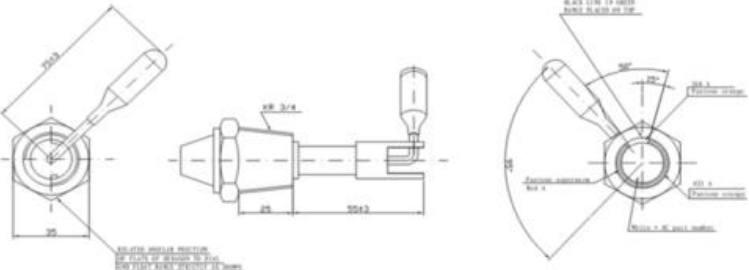

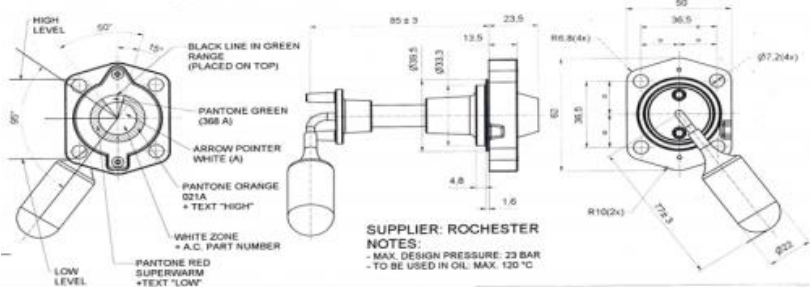



14.Float Ball Type Liquid Level Gauge

14.1Float Ball Type Liquid Level Gauge

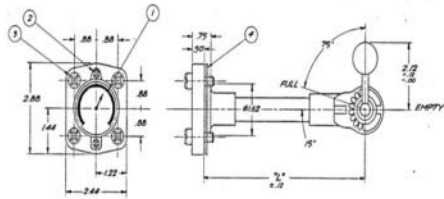

- ◆Suit for OEM: Atlas
- ◆Max.working pressure : 230PSI
- ◆Temperature Range: -40° to 392°F(-40° to + 200°C)
- ◆Compact mechanism construction ,Easy installation, for years of trouble-free service
- ◆Designed for industrial compressors like Atlas ,Ingersoll-Rand ,Gardner denver etc..
- ◆Also for a wide variety of process liquid level applications.
- ◆One Piece Aluminum Ball .

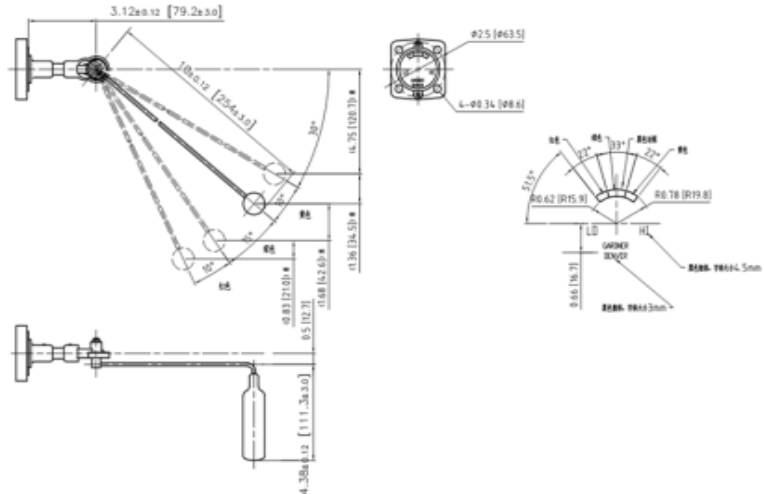

Item #	Drawing	Images
Bulkhead fitting		
KC918400		

<p>KC902000</p>	 <p>BLACK LINE IN GREEN RANGE PLACED ON TOP</p> <p>PANTONE GREEN (308 A)</p> <p>ARROW POINTER WHITE (A)</p> <p>PANTONE ORANGE 021A +TEXT 'HIGH'</p> <p>WHITE ZONE + A.C. PART NUMBER</p> <p>PANTONE RED SUPERBARM +TEXT 'LOW'</p> <p>NOTE: MAX. DESIGN PRESSURE: 23 BAR MAX. DESIGN TEMPERATURE: 120 °C TO BE USED IN OIL. MAX. 120 °C</p>	
<p>KC65600</p>	 <p>BLACK LINE IN GREEN RANGE PLACED ON TOP</p> <p>PANTONE GREEN (308 A)</p> <p>ARROW POINTER WHITE (A)</p> <p>PANTONE ORANGE 021A +TEXT 'HIGH'</p> <p>WHITE ZONE + A.C. PART NUMBER</p> <p>PANTONE RED SUPERBARM +TEXT 'LOW'</p> <p>NOTE: MAX. DESIGN PRESSURE: 23 BAR MAX. DESIGN TEMPERATURE: 120 °C TO BE USED IN OIL. MAX. 120 °C</p>	
<p>Flanged</p>		
<p>KC65900</p>	 <p>BLACK LINE IN GREEN RANGE (PLACED ON TOP)</p> <p>PANTONE GREEN (308 A)</p> <p>ARROW POINTER WHITE (A)</p> <p>PANTONE ORANGE 021A +TEXT 'HIGH'</p> <p>WHITE ZONE + A.C. PART NUMBER</p> <p>PANTONE RED SUPERBARM +TEXT 'LOW'</p> <p>SUPPLIER: ROCHESTER NOTES: - MAX. DESIGN PRESSURE: 23 BAR - TO BE USED IN OIL. MAX. 120 °C</p>	

14.2 Float Ball Type Liquid Level Gauge-- For Ingersoll-Rand

- ◆Suit for OEM: Ingersoll-Rand
- ◆Max.working pressure : 230PSI
- ◆Temperature Range: -40° to 392°F(-40° to + 200°C)
- ◆Compact mechanism construction ,Easy installation, for years of trouble-free service
- ◆Designed for industrial compressors like Atlas ,Ingersoll-Rand ,Gardner Denver etc..
- ◆Also for a wide variety of process liquid level applications.
- ◆One Piece Aluminum Ball .

Item #	Drawing	Images
KC20367		

Item # 货号	Drawing 图纸	Image 图片
KCGD1393	 <p>The drawing includes a side view showing a float ball mechanism with dimensions such as 3.125±0.12 [79.2±0.0], 10±0.12 [254±0.0], and 14.75 [375]. It also features a top view of the float ball with a diameter of 25 [63.5] and a 4-φ0.34 [0.086] hole. A detailed view of the float ball shows a diameter of 25 [63.5] and a 4-φ0.34 [0.086] hole. The drawing also shows a side view of the gauge assembly with dimensions 4.30±0.12 [111.3±0.0] and 0.5 [12.7].</p>	 <p>A 3D CAD rendering of the float ball type liquid level gauge assembly, showing the float ball, the gauge body, and the mounting bracket.</p>

14.4 Float Ball Type Liquid Level Gauge-- For GANEY

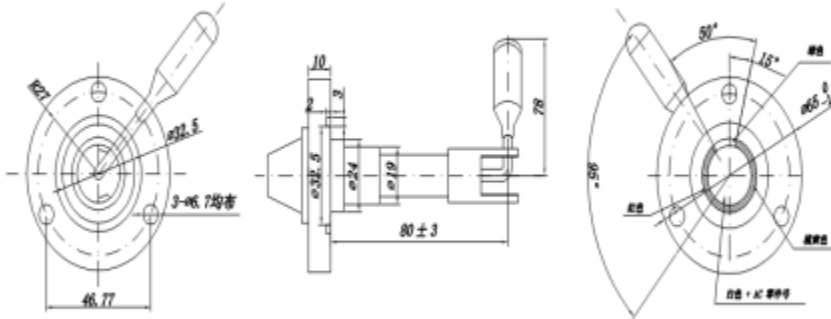

- ◆Suit for OEM: GANEY
- ◆Max.working pressure : 230PSI

Professional & One-Stop Service
-Manufacturing -Customerized -Sourcing&Trading -Stocking



Intech Industries Manufacturing Co.,Ltd

- ◆Temperature Range: -40° to 392°F(-40° to + 200°C)
- ◆Compact mechanism construction ,Easy installation, for years of trouble-free service
- ◆Designed for industrial compressors like Atlas ,Ingersoll-Rand ,Gardner Denver etc..
- ◆Also for a wide variety of process liquid level applications.
- ◆One Piece Aluminum Ball .

Item # 货号	Drawing 设计图	Image 图片
GANEY		

15.Filter

15.1 Filter regulator

- ◆ Rated for Inlet Pressure up to 140PSI(10bar).
- ◆ Ambient and Fluid Temperature:41 to 140°F(5 to 60°C)
- ◆ Filter Precision:25μ m(5,50μ m available in addition)
- ◆ Flow Capacity:See Below,at 0.7Mpa Inlet Pressure and set at 0.5Mpa.
- ◆ Port Threads:NPT,PT, Or BSPP.
- ◆ Assembly Bracket is included.
- ◆ Valve Type:With Overflow
- ◆ Optional Polycarbonate or Aluminum Die Casting.
- ◆ Optional Auto Drain or Manual Drain.



Container Material:Aluminum Die Casting

Item#	Item#	Port	Gauge	Flow	Regulating Range 調整範囲	Auto Drain Type
APHM20-12	APHM20-12D	1/8	1/8	500	0.05~0.85Mpa(0.5~8.5kgf/cm2)(7.25psi~123psi)	Lever Type Auto Drain
APHM20-25	APHM20-25D	1/4		2000		
APHS30-25	APHS30-25D	1/4				
APHS30-33	APHS30-33D	3/8				
APHL40-33	APHL40-33D	3/8	1/4	4000		Float Type Auto Drain



APHL40-50	APHL40-50D	1/2				
APHL40-75	APHL40-75D	3/4		4500		
APHL50-75	APHL50-75D	3/4		5500		
APHL50-1	APHL50-1D	1				

Container Material:Polycarbonate(With Steel Protective Cover On APWS30-25 To APWL50-1)

Item# Manual Drian	Item# Auto Drain	Port Size	Gauge Port	Flow Capacity(L/min)	Regulating Range	Auto Drain Type
APWM20-12	APWM20-12D	1/8	1/8	500	0.05~0.85Mpa(0.5~8.5kgf/cm2)(7.25psi~123psi)	Lever Typt Auto Drain
APWM20-25	APWM20-25D	1/4				
APWS30-25	APWS30-25D	1/4		2000		
APWS30-33	APWS30-33D	3/8				
APWL40-33	APWL40-33D	3/8	1/4	4000		Float Type Auto Drain
APWL40-50	APWL40-50D	1/2				

APWL40-75	APWL40-75D	3/4		4500		
APWL50-75	APWL50-75D	3/4		5500		
APWL50-1	APWL50-1D	1				

15.2 Miniature Air Filter

- ◆ Rated for Inlet Pressure up to 140PSI(10bar).
- ◆ Ambient and Fluid Temperature:41 to 140°F(5 to 60°C)
- ◆ Filter Precision:25μ m(5,50μ m available in addition)
- ◆ Container Material:Polycarbonate
- ◆ Flow Capacity:See Below,at 0.7Mpa Pressure
- ◆ Port Threads:NPT,PT, Or BSPP.
- ◆ Filter Material:Brass
- ◆ Optional Auto Drain or Manual Drain.
- ◆ Container Material:Polycarbonate(With Steel Protective Cover On APFS30-25 To APFL50-1)



Item#	Port Size	Bowl Capacity	Flow Capacity(L/min)	Auto Drain Type
APFM20-12	1/8	15	750	Lever Type Auto Drain
APFM20-25	1/4			



APFS30-25	1/4	20	1500
APFS30-33	3/8		
APFL40-33	3/8	45	4000
APFL40-50	1/2		
APFL40-75	3/4		6000
APFL50-75	3/4	130	7000
APFL50-1	1		

16. Automatic Electronic Drain Valve

16.1 Automatic Electronic Drain Valve

- ◆ Automatic Drains With Square Brass Valve, Small (Regular) Orifice, up to 0.177" (4.5mm)

Images:		
TD series	OPTD series	DTD series



		
TD series	OPTD series	DTD series

110VAC,NPT Connections,with Regular Orifice,from 230psi to 1200psi

TD25NPT-110VAC-230PSI	OPTD25NPT-110VAC-230PSI	DTD25NPT-110VAC-230PSI
TD33NPT-110VAC-230PSI	OPTD33NPT-110VAC-230PSI	DTD33NPT-110VAC-230PSI
TD50NPT-110VAC-230PSI	OPTD50NPT-110VAC-230PSI	DTD50NPT-110VAC-230PSI
TD25NPT-110VAC-360PSI	OPTD25NPT-110VAC-360PSI	DTD25NPT-110VAC-360PSI
TD33NPT-110VAC-360PSI	OPTD33NPT-110VAC-360PSI	DTD33NPT-110VAC-360PSI
TD50NPT-110VAC-360PSI	OPTD50NPT-110VAC-360PSI	DTD50NPT-110VAC-360PSI
TD25NPT-110VAC-600PSI	OPTD25NPT-110VAC-600PSI	DTD25NPT-110VAC-600PSI
TD33NPT-110VAC-600PSI	OPTD33NPT-110VAC-600PSI	DTD33NPT-110VAC-600PSI
TD50NPT-110VAC-600PSI	OPTD50NPT-110VAC-600PSI	DTD50NPT-110VAC-600PSI
TD25NPT-110VAC-1200PSI	OPTD25NPT-110VAC-1200PSI	DTD25NPT-110VAC-1200PSI
TD33NPT-110VAC-1200PSI	OPTD33NPT-110VAC-1200PSI	DTD33NPT-110VAC-1200PSI
TD50NPT-110VAC-1200PSI	OPTD50NPT-110VAC-1200PSI	DTD50NPT-110VAC-1200PSI



240VAC,BSPP Connections,with Regular Orifice,from 16 Bar to 83 Bar

TD series	OPTD series	DTD series
TD25BSPP-240VAC-16Bar	OPTD25BSPP-240VAC-16Bar	DTD25BSPP-240VAC-16Bar
TD33BSPP-240VAC-16Bar	OPTD33BSPP-240VAC-16Bar	DTD33BSPP-240VAC-16Bar
TD50BSPP-240VAC-16Bar	OPTD50BSPP-240VAC-16Bar	DTD50BSPP-240VAC-16Bar
TD25BSPP-240VAC-25Bar	OPTD25BSPP-240VAC-25Bar	DTD25BSPP-240VAC-25Bar
TD33BSPP-240VAC-25Bar	OPTD33BSPP-240VAC-25Bar	DTD33BSPP-240VAC-25Bar
TD50BSPP-240VAC-25Bar	OPTD50BSPP-240VAC-25Bar	DTD50BSPP-240VAC-25Bar
TD25BSPP-240VAC-42Bar	OPTD25BSPP-240VAC-42Bar	DTD25BSPP-240VAC-42Bar
TD33BSPP-240VAC-42Bar	OPTD33BSPP-240VAC-42Bar	DTD33BSPP-240VAC-42Bar
TD50BSPP-240VAC-42Bar	OPTD50BSPP-240VAC-42Bar	DTD50BSPP-240VAC-42Bar
TD25BSPP-240VAC-83Bar	OPTD25BSPP-240VAC-83Bar	DTD25BSPP-240VAC-83Bar

TD33BSPP-240VAC-83Bar	OPTD33BSPP-240VAC-83Bar	DTD33BSPP-240VAC-83Bar
TD50BSPP-240VAC-83Bar	OPTD50BSPP-240VAC-83Bar	DTD50BSPP-240VAC-83Bar

240VAC,BPST Connections,with Regular Orifice,from 16 Bar to 83 Bar

TD series	OPTD series	DTD series
TD25BSPT-240VAC-16Bar	OPTD25BSPT-240VAC-16Bar	DTD25BSPT-240VAC-16Bar
TD33BSPT-240VAC-16Bar	OPTD33BSPT-240VAC-16Bar	DTD33BSPT-240VAC-16Bar
TD50BSPP-240VAC-16Bar	OPTD50BSPT-240VAC-16Bar	DTD50BSPT-240VAC-16Bar
TD25BSPT-240VAC-25Bar	OPTD25BSPT-240VAC-25Bar	DTD25BSPT-240VAC-25Bar
TD33BSPT-240VAC-25Bar	OPTD33BSPT-240VAC-25Bar	DTD33BSPT-240VAC-25Bar
TD50BSPT-240VAC-25Bar	OPTD50BSPT-240VAC-25Bar	DTD50BSPT-240VAC-25Bar
TD25BSPT-240VAC-42Bar	OPTD25BSPT-240VAC-42Bar	DTD25BSPT-240VAC-42Bar

TD33BSPT-240VAC-42Bar	OPTD33BSPT-240VAC-42Bar	DTD33BSPT-240VAC-42Bar
TD50BSPT-240VAC-42Bar	OPTD50BSPT-240VAC-42Bar	DTD50BSPT-240VAC-42Bar
TD25BSPT-240VAC-83Bar	OPTD25BSPT-240VAC-83Bar	DTD25BSPT-240VAC-83Bar
TD33BSPT-240VAC-83Bar	OPTD33BSPT-240VAC-83Bar	DTD33BSPT-240VAC-83Bar
TD50BSPT-240VAC-83Bar	OPTD50BSPT-240VAC-83Bar	DTD50BSPT-240VAC-83Bar

Automatic Drains With Brass Valve, Large Orifice, up to 0.51" (13mm)

Images:

TDL series	OPTDL series	DTD series
		

TDL series	OPTDL series	DTDL series
------------	--------------	-------------

110VAC,NPT Connections,with Large Orifice,230psi or 720 psi

TDL25NPT-110VAC-230PSI	OPTDL25NPT-110VAC-230PSI	DTDL25NPT-110VAC-230PSI
TDL33NPT-110VAC-230PSI	OPTDL33NPT-110VAC-230PSI	DTDL33NPT-110VAC-230PSI
TDL50NPT-110VAC-230PSI	OPTDL50NPT-110VAC-230PSI	DTDL50NPT-110VAC-230PSI
TDL25NPT-110VAC-720PSI	OPTDL25NPT-110VAC-720PSI	DTDL25NPT-110VAC-720PSI
TDL33NPT-110VAC-720PSI	OPTDL33NPT-110VAC-720PSI	DTDL33NPT-110VAC-720PSI
TDL50NPT-110VAC-720PSI	OPTDL50NPT-110VAC-720PSI	DTDL50NPT-110VAC-720PSI

240VAC,BSPP Connections,with Large Orifice,16 Bar or 50 Bar

TDL series	OPTDL series	DTDL series
TDL25BSPP-240VAC-16Bar	OPTDL25BSPP-240VAC-16Bar	DTDL25BSPP-240VAC-16Bar
TDL33BSPP-240VAC-16Bar	OPTDL33BSPP-240VAC-16Bar	DTDL33BSPP-240VAC-16Bar




TDL50BSPP-240VAC-16Bar	OPTDL50BSPP-240VAC-16Bar	DTDL50BSPP-240VAC-16Bar
TDL25BSPP-240VAC-50Bar	OPTDL25BSPP-240VAC-50Bar	DTDL25BSPP-240VAC-50Bar
TDL33BSPP-240VAC-50Bar	OPTDL33BSPP-240VAC-50Bar	DTDL33BSPP-240VAC-50Bar
TDL50BSPP-240VAC-50Bar	OPTDL50BSPP-240VAC-50Bar	DTDL50BSPP-240VAC-50Bar

240VAC,BSPT Connections,with Large Orifice,16 Ba or 50 Bar

TDL series	OPTDL series	DTDL series
TDL25BSPT-240VAC-16Bar	OPTDL25BSPT-240VAC-16Bar	DTDL25BSPT-240VAC-16Bar
TDL33BSPT-240VAC-16Bar	OPTDL33BSPT-240VAC-16Bar	DTDL33BSPT-240VAC-16Bar
TDL50BSPT-240VAC-16Bar	OPTDL50BSPT-240VAC-16Bar	DTDL50BSPT-240VAC-16Bar
TDL25BSPT-240VAC-50Bar	OPTDL25BSPT-240VAC-50Bar	DTDL25BSPT-240VAC-50Bar
TDL33BSPT-240VAC-50Bar	OPTDL33BSPT-240VAC-50Bar	DTDL33BSPT-240VAC-50Bar
TDL50BSPT-240VAC-50Bar	OPTDL50BSPT-240VAC-50Bar	DTDL50BSPT-240VAC-50Bar




Automatic Drains With Strainer and Ball Valve builte-d-in Valves



Images:		
YTD Series	YOPTD Series	YDTD Series
		
YTD Series	YOPTD Series	YDTD Series
YTD-110VAC	YOPTD-110VAC	YDTD-110VAC
YTD-240VAC	YOPTD-240VAC	YDTD-240VAC

Images:		
CTD Series	COPTD Series	CDTD Series
		

CTD Series	COPTD Series	YDTD Series
CTD-110VAC	COPTD-110VAC	CDTD-110VAC
CTD-240VAC	COPTD-240VAC	CDTD-240VAC

TTD Series	TOPTD Series	TDTD Series
		
TTD Series	TOPTD Series	TDTD Series
TTD-110VAC	TOPTD-110VAC	TDTD-110VAC
TTD-240VAC	TOPTD-240VAC	TDTD-240VAC